

**Hydraulic Elevator
w/ Type 17B
Hydraulic Machine**

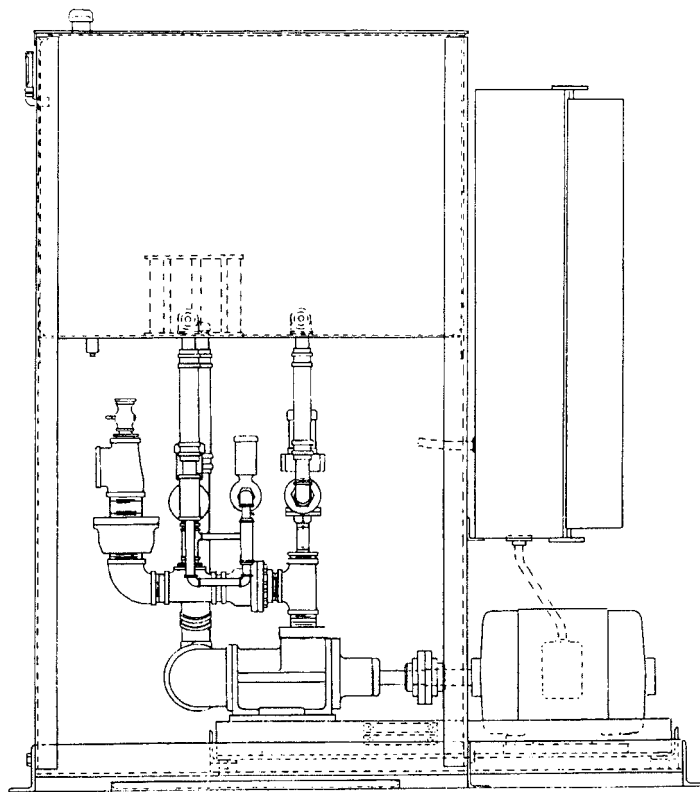
**Spare Parts Leaflet
C-1052**

May 18, 2022 / Page 1 of 11

OBSOLESCENCE NOTICE

The product covered in this SPL has been designated as obsolete and is no longer supported. See TIP 32.2-1, *Obsolete Components*, for potential upgrade. Replacement lower level parts listed within and unique to this design are not being restocked when depleted. Some of these parts, depending on availability and other factors, may be quoted through Customer Service, but most will have extended lead times and increased cost due to low volume production.

New York Design



Typical Illustration

NOTE: For Lubrication and Hydraulic Oil, see Lubrication Chart Form #2422H.

ORDER FORM O-352G

OTIS

This document does not contain any technical data subject to EAR or ITAR

**SERVICE ENGINEERING
Otis Elevator Company
Bloomfield, Connecticut USA**

Unpublished Work—© Otis Elevator Co.; 2022

Leaflet Description

This leaflet provides information for replacement parts for the New York Design hydraulic elevator, also known as plunger electric elevator, with type 17B machine, direct driven pump and EECO valves.

Leaflet Revisions

Date Revised	Subject Matter Expert	Reason for Revision
May 16, 1966	---	---
July 1, 1997	---	---
July 31, 2003	Troy Chicoine	Add minor repair kits (p/n AAA27076AX10-12).
May 18, 2022	Brian Regan	Updated document template and obsolescence info

Related Drawings

Drawing No.	Title	Drawing No.	Title
---	---	---	---
---	---	---	---

Related Documents

Document ID	Title
---	---
---	---

Subject Matter Expert

Name	Department
Brian Regan	OSC Service Engineering

About Spare Parts Leaflets...

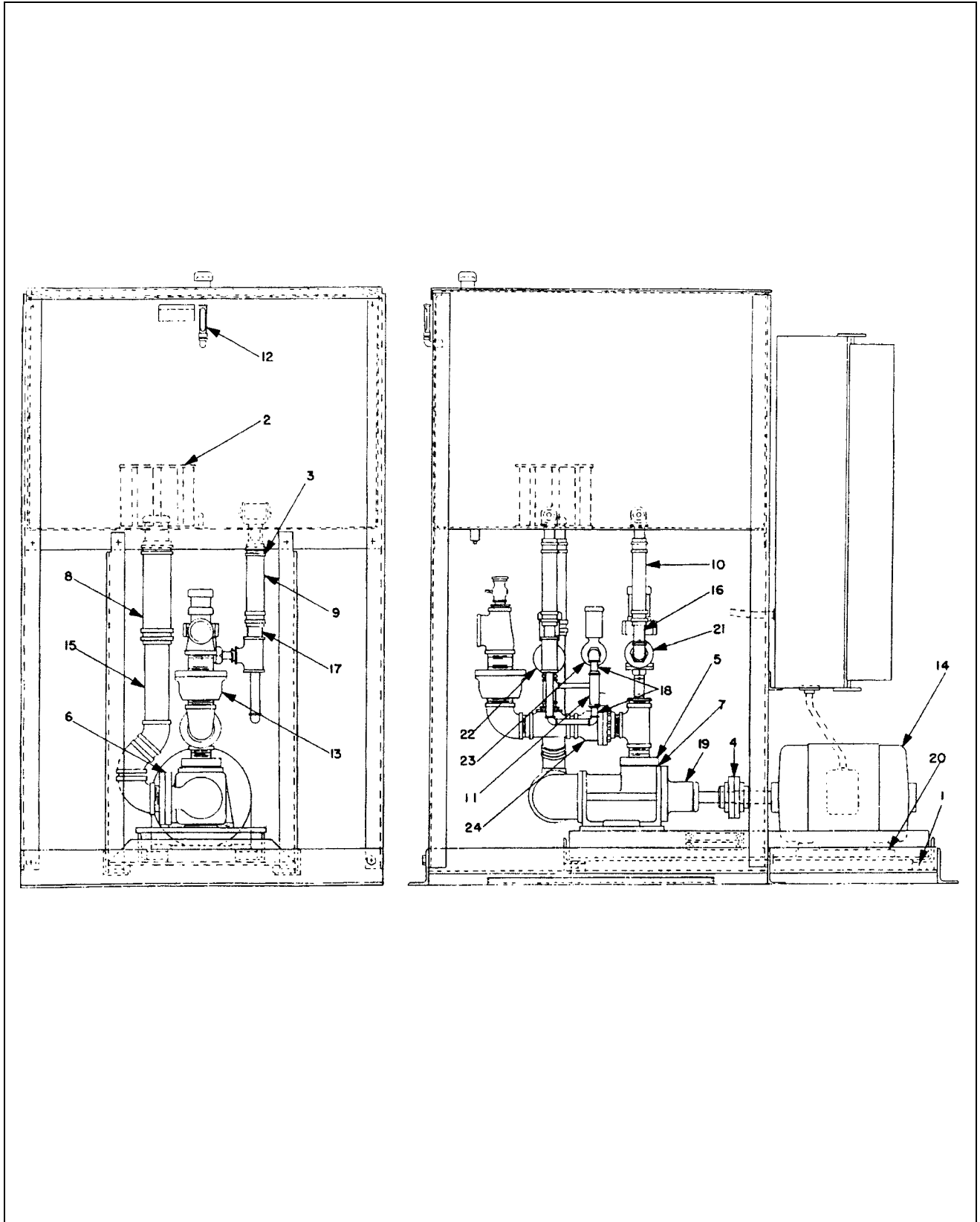
This document lists the lowest replaceable units (LRUs) for the standard version of the product. The LRUs are chosen by a team of Otis associates representing engineering and manufacturing.

While goal of this document is to make parts identification as easy as possible, the document cannot be all-inclusive. Elevator and escalator contracts classified as "special" or "custom" are not addressed here. For such contracts, please refer to specified information, the contract folder, TIPs, Field Education Articles, Construction Letters, etc. for further information.

If you have any suggestions about this document, please contact the subject matter expert listed on this page.

Type 17B Hydraulic Machine

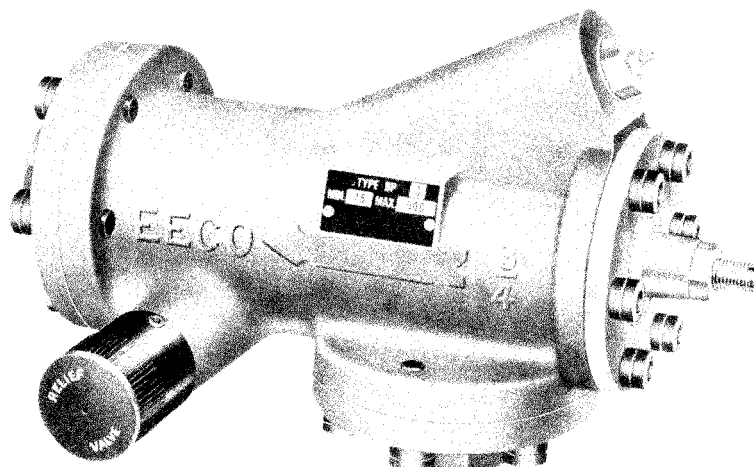
C-1052



Type 17B Hydraulic Machine

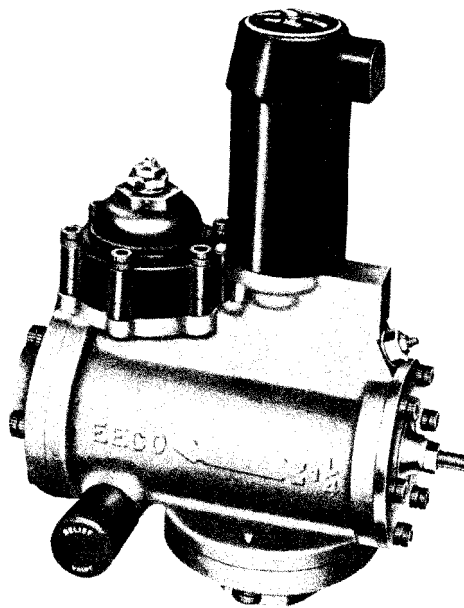
Order Form O-352G and R-352G
Material List 2223F5 and 2084E6

REF. NO.	PART NO.	DESCRIPTION
1	310BE3	Block, Rubber, 3" Wide, 3" Long, 1" Thick
2	254D4 B254D1	Bonnet, Oil Filter (for Oil Tank)
3	336DY1	Clamp, Hose
---	6926AE1	Clamp, Hose Shut-Off
4	---	Coupling. See page 10.
5	441AL1	Fitting, Pipe
6	376H5	Gasket, Rubber, 3.5" ID, 0.0625" Thick
7	376AA3	Gasket, Vellumoid, 3" ID, 0.0625" Thick
8	134A5	Hose, 3.5" ID, 12.5" Long (for Tank to Pump)
9	134A17	Hose, 2.25" ID, 10.25" Long (for Tank to Valve)
10	134A19	Hose, 1.625" ID, 10.25" Long (for Tank to Valve)
11	134A20	Hose, 1.25" ID, 5" Long (for Tank to Valve)
12	269AW1	Indicator, Oil
13	6944A2	Isoline. See page 10.
14	---	Motor. See page 6.
15	441AH27	Pipe, Half-Nipple, 3" Std., 12.5" Long (for Hose 134A5)
16	441AH18	Pipe, Half-Nipple, 1.5" Std., 3.25" Long (for Hose 134A19)
17	441AH20	Pipe, Half-Nipple, 2" Std., 3" Long (for Hose 134A17)
18	441AH28	Pipe, Half-Nipple, 1" Std., 2.5" Long (for Hose 134A20)
19	6962AM4 2700ADD1	Pump. See page 7.
20	255AB13	Shim, Steel, 2.5" Wide, 2.5" Long, 0.0299" Thick (for Motor)
20	255AB14	Shim, Steel, 2.5" Wide, 2.5" Long, 0.0598" Thick (for Motor)
21	---	Valve, Bypass (used when up-leveling not required). See page 5. Valve, Up-Leveling. See page 5.
22	---	Valve, Down. See page 8.
23	---	Valve, Down-Leveling. See page 8.
24	271W5	Valve, Check. See page 7.



By-Pass Valve
EECO Type BP-3

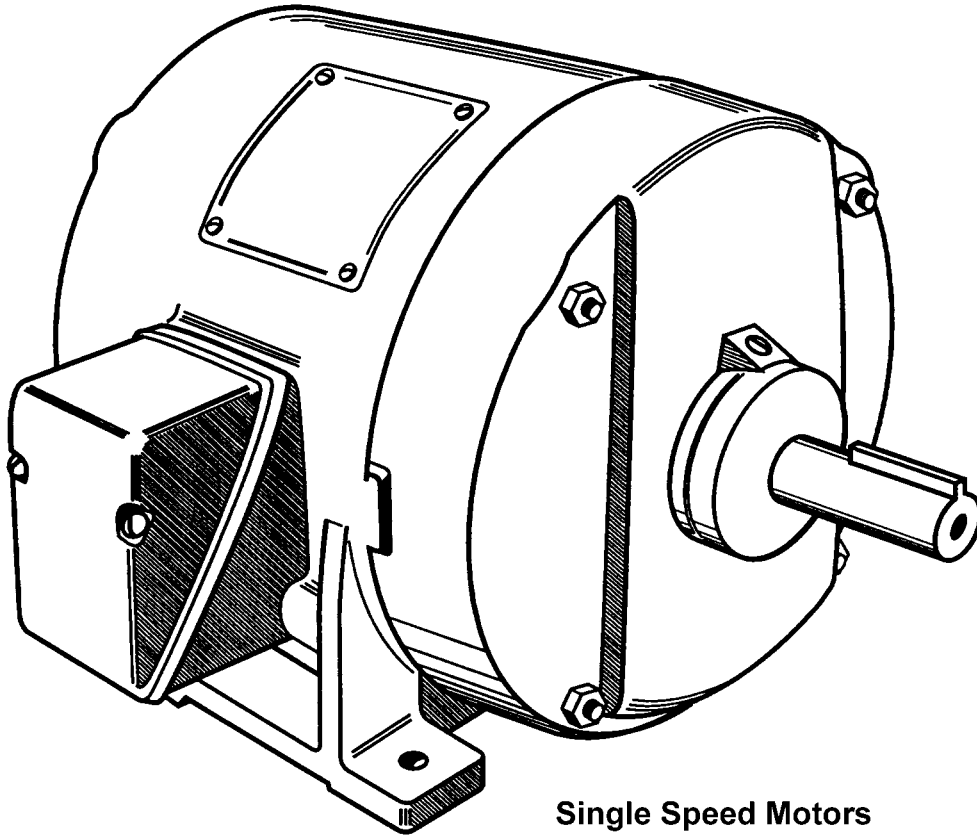
PART NO.	SIZE	DESCRIPTION
271J4	1-1/4	Valve, Bypass, EECO Type BP-3
271J5	1-1/2	Valve, Bypass, EECO Type BP-3



Up Leveling Valve
EECO Type UV-2

PART NO.	SIZE	DESCRIPTION
271P4	1-1/4	Valve, Up-Leveling, EECO Type UV-2
271P5	1-1/2	Valve, Up-Leveling, EECO Type UV-2. For replacement, see TIP 6.3.0-12.

Single-Speed Motors



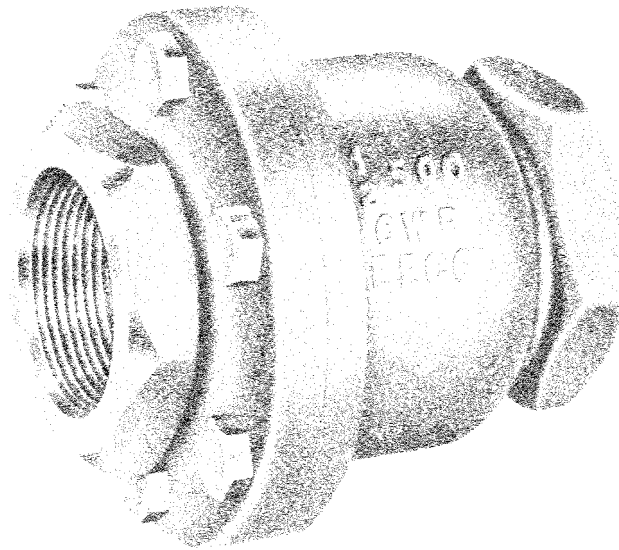
Single Speed Motors
3 Phase, 60 Cycles, A.C., 3600 RPM

PART NO.	W/O VINTAGE		Frame No.
	VOLTAGE	Name Plate H.P.	
A6333AA1	208	25	286U
A6333AA2	220/440*	25	286U
A6333AA3	550	25	286U
A6333AB1	208	30	324U
A6333AB2	220/440*	30	324U
A6333AB3	550	30	324U
A6333AH1	208	40	326U
A6333AH2	220/440*	40	326U
A6333AH3	550	40	326U

* Specify voltage

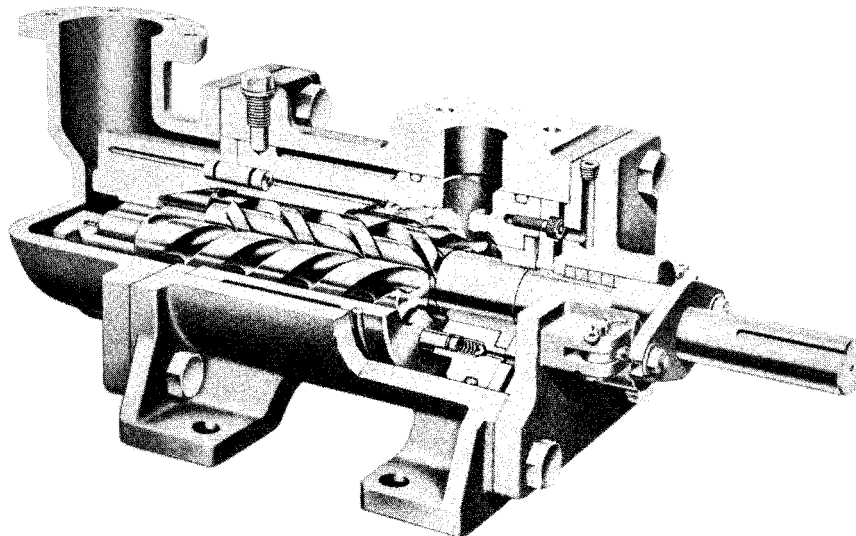
Check Valve & Pump

C-1052



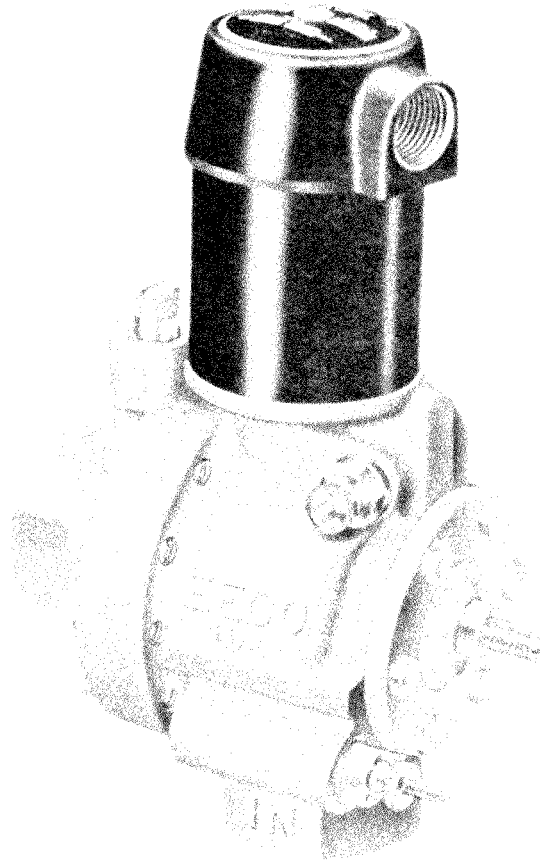
Check Valve
EECO Series 3000

PART NO.	DESCRIPTION
271W5	Valve, Check, EECO Series 3000, Size 3. For replacement, see TIP 6.3.0-12.



De Laval Imo Pump

PART NO.	DESCRIPTION
6962AM4 2700ADD1	Pump, DeLaval Imo Type 250, 196 Gallons per Minute, at 3600 RPM
AAA27076AX10	Minor Repair Kit, for IMO Pump Model 3DB-250
AAA27076AX11	Minor Repair Kit, for IMO Pump Model A3DB-250
AAA27076AX12	Minor Repair Kit, for IMO Pump Model G3DB-250

DL-3 Down & Down-Leveling Valves

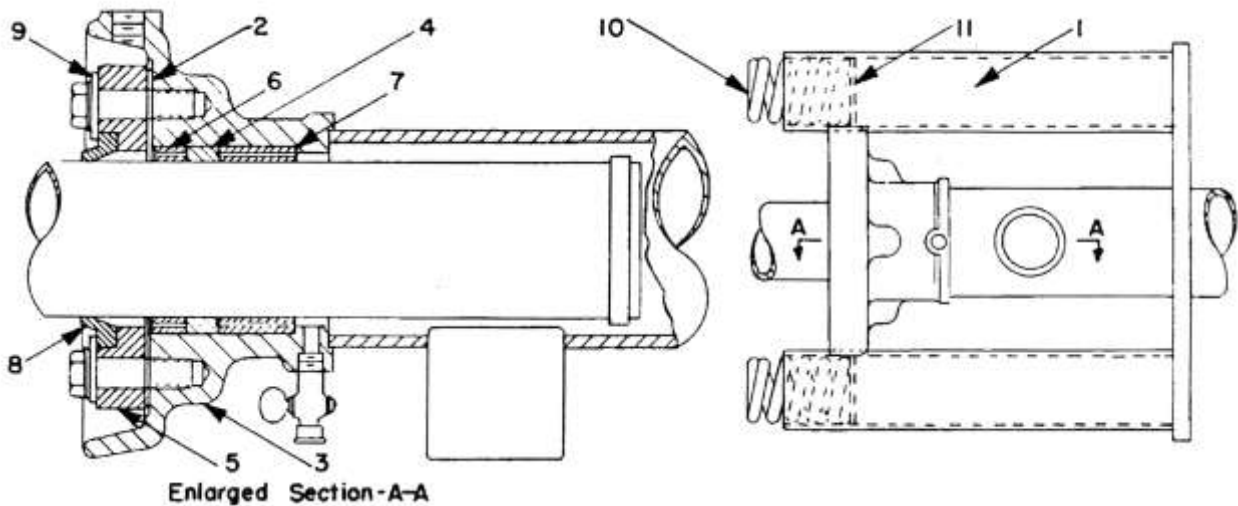
PART NO.	SIZE	DESCRIPTION
271BA6	1-1/4	Valve, Down, EECO Type DL-3. Replaces EECO Type DL-2 (p/n 271T11 and 271T12). For replacement of EECO Type DL-3 valves, refer to TIP 6.3.0-12.
271BA7	1-1/2	Valve, Down, EECO Type DL-3. Replaces EECO Type DL-2 (p/n 271T13). For replacement of EECO Type DL-3 valves, refer to TIP 6.3.0-12.

PART NO.	SIZE	DESCRIPTION
271BA1	1/4	Valve, Down-Leveling, EECO Type DL-3. Replaces EECO Type DL-2 (p/n 271T1 and 271T2).
271BA2	3/8	Valve, Down-Leveling, EECO Type DL-3. Replaces EECO Type DL-2 (p/n 271T3 and 271T4).
271BA3	1/2	Valve, Down-Leveling, EECO Type DL-3. Replaces EECO Type DL-2 (p/n 271T5 and 271T6). For replacement of EECO Type DL-3 valves, refer to TIP 6.3.0-12.
271BA4	3/4	Valve, Down-Leveling, EECO Type DL-3. Replaces EECO Type DL-2 (p/n 271T7 and 271T8). For replacement of EECO Type DL-3 valves, refer to TIP 6.3.0-12.

NOTE: The DL-3 valve is identical to the DL-2 valve with an additional throttle.

Cylinder Head Packing & Buffer Data

C-1052



**Material List 2223C-
Drawings 6942AA and 6942Y**

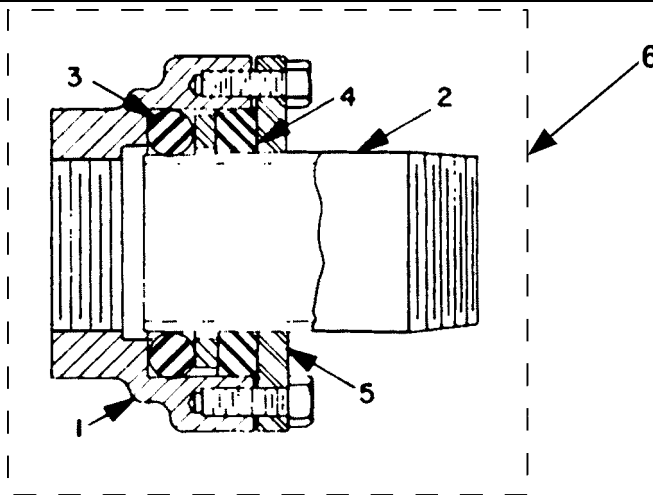
Cylinder Size	Plunger	Ref. 1	Ref. 2	Ref. 3	Ref. 4	Ref. 5	Ref. 6	Ref. 7	Ref. 8	Ref. 9	Ref. 10	Ref. 11
		Block 2 Req.	Disogrin Packing 1 Req.	Bottom Ring 1 Req.	Top Ring 1 Req.	Clamp Ring 1 Req.	Rod ** Req.	Spring 2 Req.	Washer 2 Req.	Wiper Clamp Ring 2 Req.	Spring ** Req.	Washer ** Req.
5"	4"	310C11 310C12*	376NG1	A390AMI	482R1	472LL1	472KN1	472KP1	472LG1	472LK1	* 90KD8 90ND5	127VD14
6"	4.5"	310C11 310C12*	376NG2	A390ANI	482R2	472LL2	472KN2	472KP2	472LG2	472LK2	* 90KD8 90ND5	127VD14
8"	5.5"	310C13	376NG3	A390API	482R3	472LL3	472KN3	472KP3	472LG3	472LK3	* 90ND5 90TD4	127VD15
8"	6.5"	310C14	376NG4	A390ARI	482R4	472LL4	472KN4	472KP4	472LG4	472LK4	* 90TD4 90AL2	127XA10
10"	7.5"	310C15	376NG5	A390ASI	482R5	472LL5	472KN5	472KP5	472LG5	472LK5	* 90AL2 90ZD3	127VE8
10"	8.5"	310C15	376NG6	A390ATI	482R6	472LL6	472KN6	472KP6	472LG6	472LK6	* 90AL2 90ZD3	127VE8
12"	9.5"	310C14	376NG7	A390AVI	482R7	472LL7	472KN7	472KP7	472LG7	472LK7	* 90TD4 90AL2	127XA10
12"	10.5"	310C15	376NG8	A390AWI	482R8	482LL8	482KN8	482KP8	482LG8	482LK8	* 90AL2 90ZD3	127VE8
16"	12.5"	310C15	376NG9	A390AXI	482R9	482LL9	482KN9	482KP9	482LG9	482LK9	90ZD3	127VE8

NOTE: For cylinder head packing replacement parts, see **SPL 03-6942Y**.

* Part to be used is determined by the gross load; for replacement give elevator sales number.

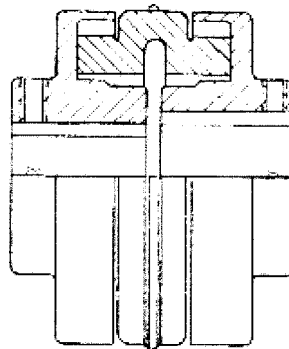
** Quantity variable.

Couplings



Isoline Unit (3" Pipe Silencer)

REF. NO.	PART NO.	DESCRIPTION
1	330CD1	Case, Ductile Iron
2	377BE3	Pipe, 3" Std., Steel
3	182F3	Ring, Packing, Neoprene
4	182G3	Ring, Packing, Neoprene
5	172GY2	Ring, Clamp, Steel
6	6944A2	Isoline, Complete

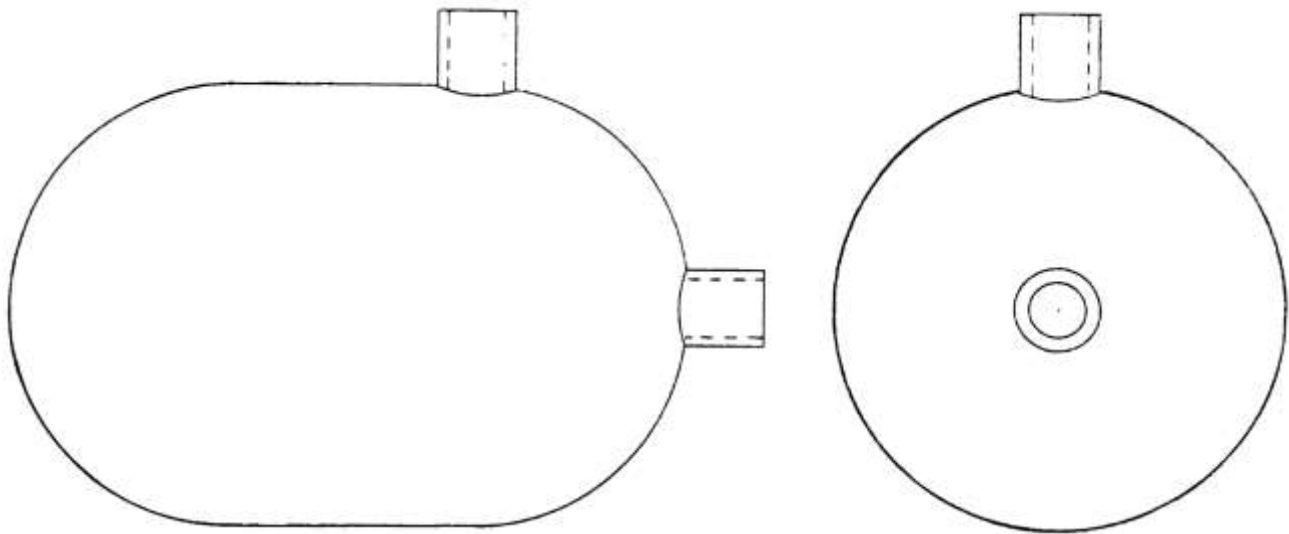


Couplings

PART NO.	OD	BORE, PUMP SIDE	BORE, MOTOR SIDE	USED WITH	DESCRIPTION
215AR9	4.625"	1.5"	1.625"	25 HP Motor	Coupling
215AR10	5.375"	1.5"	1.875"	30 HP Motor	Coupling
215AR11	6.25"	1.5"	1.875"	40 & 50 HP Motor	Coupling

Hydraulic Muffler

C-1052



PART NO.	OD	LENGTH	DESCRIPTION
441AM4	12.75"	17"	Muffler, Hydraulic, with Couplings