

**Hydraulic Elevator
w/ Type 3BA
Hydraulic Machine**

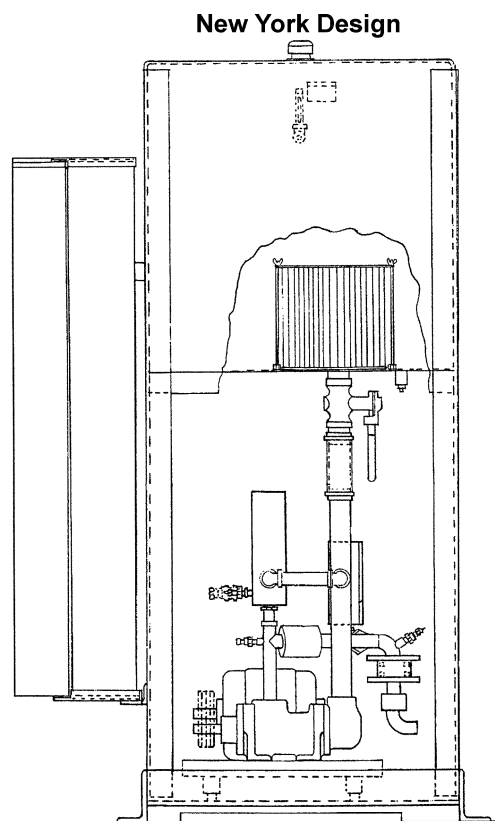
Spare Parts Leaflet

C-1074

September 27, 2023 / Page 1 of 14

OBSOLESCENCE NOTICE

The product covered in this SPL has been designated as obsolete and is no longer supported. See TIP 32.2-1, *Obsolete Components*, for potential upgrade. Replacement lower level parts listed within and unique to this design are not being restocked when depleted. Some of these parts, depending on availability and other factors, may be quoted through Customer Service, but most will have extended lead times and increased cost due to low volume production.



Typical Illustration

NOTE: For Lubrication and Hydraulic Oil, see Lubrication Chart #2422H.
Order Form O-352H

OTIS

Safety First!

SERVICE ENGINEERING

Otis Elevator Company

Bloomfield, Connecticut USA

Leaflet Description

This leaflet provides information for replacement parts for the New York Design hydraulic elevator, also known as plunger electric elevator, with type 3BA machine, belt driven pump and EECO valves.

Leaflet Revisions

Date Revised	Subject Matter Expert	Reason for Revision
December 31, 1970	---	---
July 1, 1997	---	---
July 31, 2003	Troy Chicoine	Add minor repair kit (p/n AAA27076AX1).
September 28, 2022	Juan Murillo	Updated to include OBSOLESCENCE note on cover
September 27, 2023	Juan Murillo	Updated OBSOLESCENCE note on cover

Related Drawings

Drawing No.	Title	Drawing No.	Title
---	---	---	---
---	---	---	---

Related Documents

Document ID	Title
---	---
---	---

Subject Matter Expert

Name	Department
Troy Chicoine	OSC Service Engineering

About Spare Parts Leaflets...

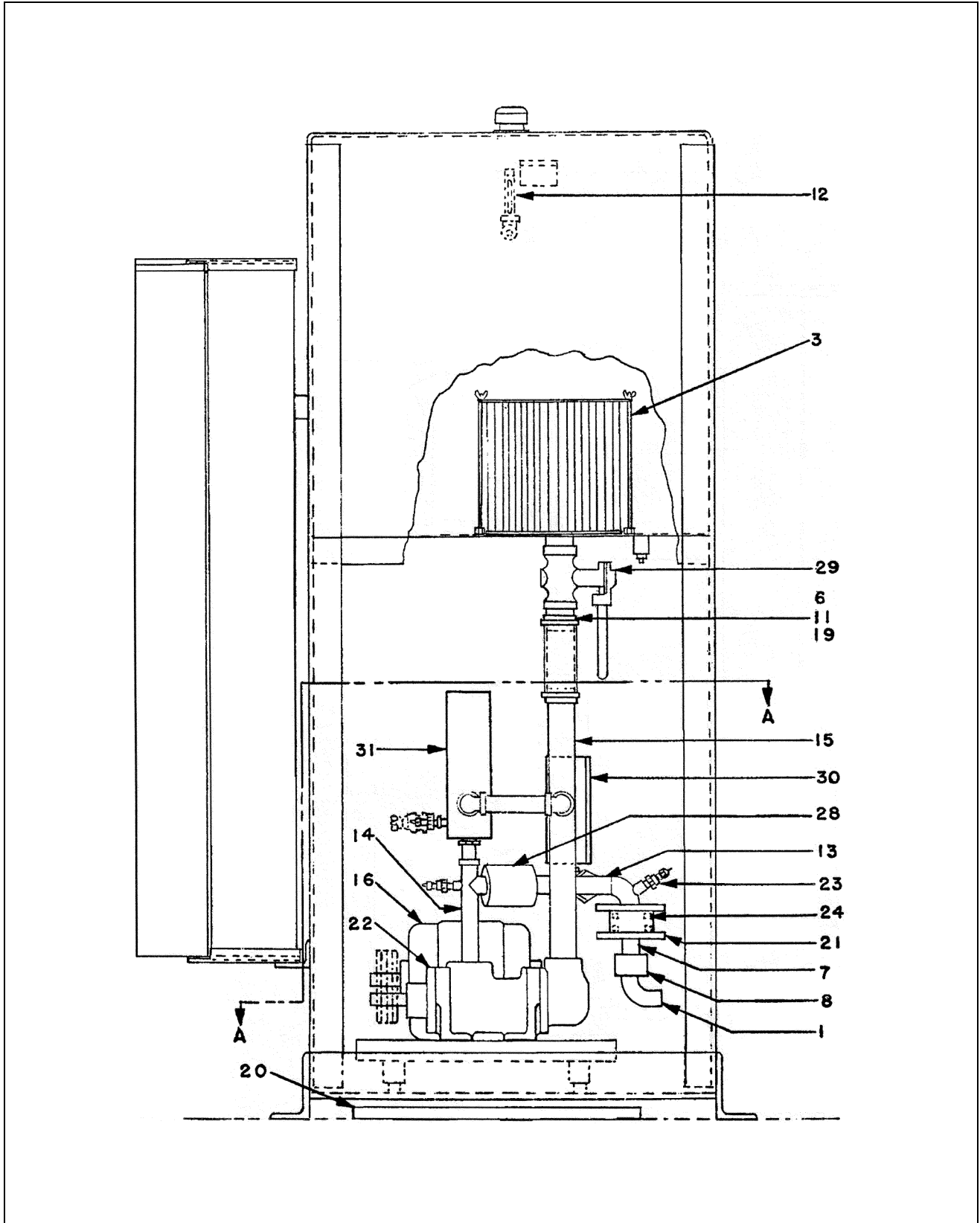
This document lists the lowest replaceable units (LRUs) for the standard version of the product. The LRUs are chosen by a team of Otis associates representing engineering and manufacturing.

While goal of this document is to make parts identification as easy as possible, the document cannot be all-inclusive. Elevator and escalator contracts classified as “special” or “custom” are not addressed here. For such contracts, please refer to specified information, the contract folder, TIPs, Field Education Articles, Construction Letters, etc. for further information.

If you have any suggestions about this document, please contact the subject matter expert listed on this page.

Type 3BA Hydraulic Machine

C-1074



Type 3BA Hydraulic Machine

Type 3BA Hydraulic Machine
Order Form O-352H, R-352H, and R-352H1-2
Material List 2223F25
Drawings 7121A, A7121B

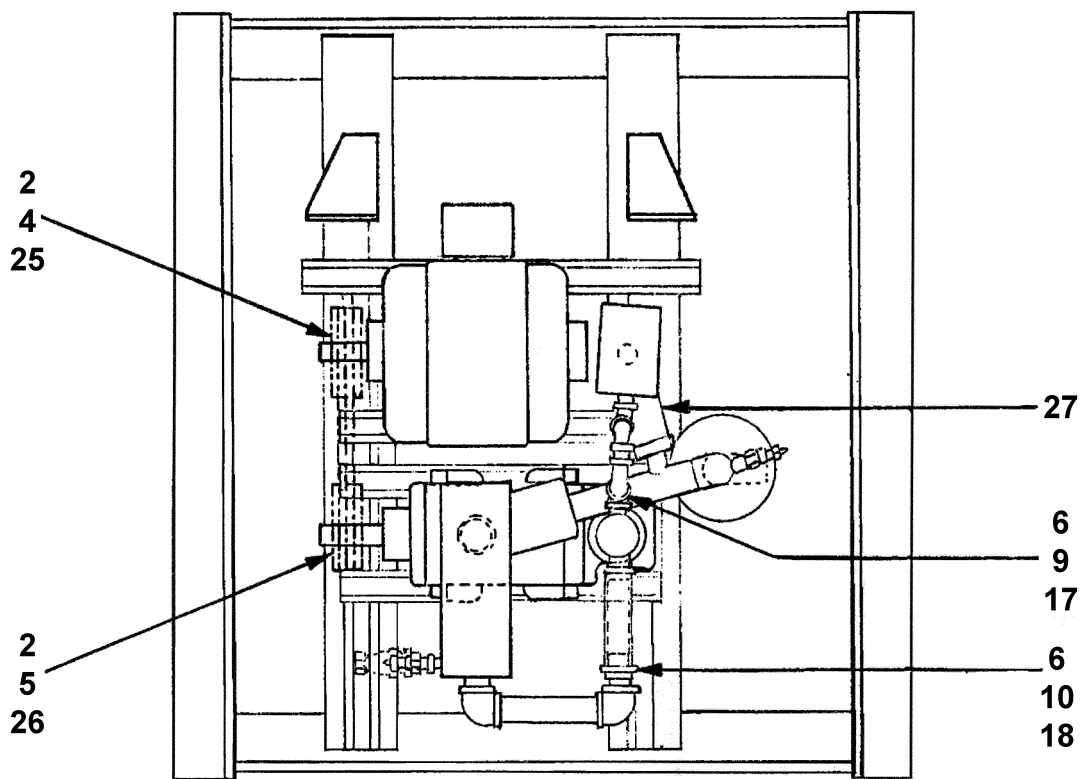
REF. NO.	PART NO.	DESCRIPTION
1	441AT1	Adapter, Victaulic, 90°, Size 1" Elbow
3	A254D1	Bonnet, Oil Filter
6	336DY1	Clamp, Hose
7	377BX1	Fitting, Isoline, Size 1"
8	441AS1	Fitting, Victaulic, Size 1" Coupling
11	134A36	Hose, Oil, Thermoid, 1.875" ID, 7" Long (Tank Shut-Off Valve to Return Manifold)
12	269AW1	Indicator, Oil Level
13	A377CB1	Manifold, Horizontal Discharge Pipe, 1"
14	377BT1	Manifold, Vertical Discharge Pipe, 1"
15	A377BV1	Manifold, Return Pipe, 1.5"
16	---	Motor, 1800 RPM, 3 HP, 60 Hz. See page 9.
19	441AH37	Pipe, Half-Nipple, Std. Steel, 1.5" x 2" (Tank Shut-Off Valve)
20	437AP1	Pan, Drip
21	386AYR1	Plate, Clamp
22	6962J1	Pump, Hydraulic IMO-A3DB DeLaval Type 137. See page 10.
23	---	Plug, Shut-Off, Two-Way Hansen 0.25" (2-K16)
24	182W1	Ring, Packing, Neoprene, 2.5625" OD, 1.3125" ID, 0.625" Thick
28	271W1	Valve, Check, EECO Series 3000, Size 1". See page 10.
29	271AB1	Valve, Butterfly, Tank Shut-Off, 1.5"
30	---*	Valve, Down, EECO DL-3. See page 11.
31	---*	Valve, Up, EECO UV-2B. See page 8.
32	---*	Valve, Bypass, EECO BP-3 (without up-leveling). See page 7.

* Part to be used is determined by the car up speed, gross load or empty car weight and plunger. For replacement, give elevator sales number.

NOTE: Down-Leveling is not required for 3BA machines.

Type 3BA Hydraulic Machine

C-1074



Section A-A

Type 3BA Hydraulic Machine

Type 3BA Hydraulic Machine
Order Form O-352H, R-352H, and R-352H1-2
Material List 2223F25
Drawings 7121A, A7121B

REF. NO.	PART NO.	DESCRIPTION
2	---	Belts, V Woods. See page 12.
4	---	Bushing, Motor. See page 12.
5	---	Bushing, Pump. See page 12.
6	336DY1	Clamp, Hose
9*	134A22	Hose, Oil, Thermoid, 0.75" ID, 3.5" Long (Down Valve to Return Manifold)
10	134A29	Hose, Oil, Thermoid, 1.25" ID, 4" Long (Used with Bypass Valve to Return Manifold)
10	134A43	Hose, Oil, Thermoid, 1.25" ID, 6" Long (Used with Up Valve to Return Manifold)
17*	441AH31	Pipe, Half-Nipple, Std. Steel, 0.5" x 3.5" Down Valve
18	441AH34	Pipe, Half-Nipple, Std. Steel, 1" x 2" Up Valve
25	---	Sheave, Motor. See page 12.
26	---	Sheave, Pump. See page 12.
27	A441AV2	Strainer, Pipe Line, 0.75"

* Reference indicates location only; part not shown in illustration.

BP3 Bypass Valve

C-1074

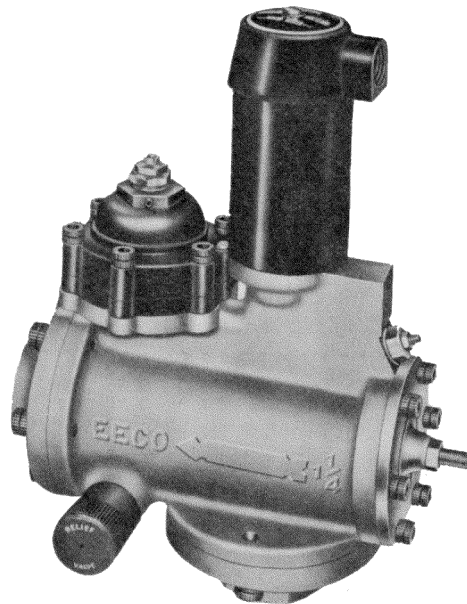


By-Pass Valve
EECO Type BP-3

PART NO.	SIZE	DESCRIPTION
271J1	1/2	Valve, Bypass, EECO Type BP-3
271J2	3/4	Valve, Bypass, EECO Type BP-3

C-1074

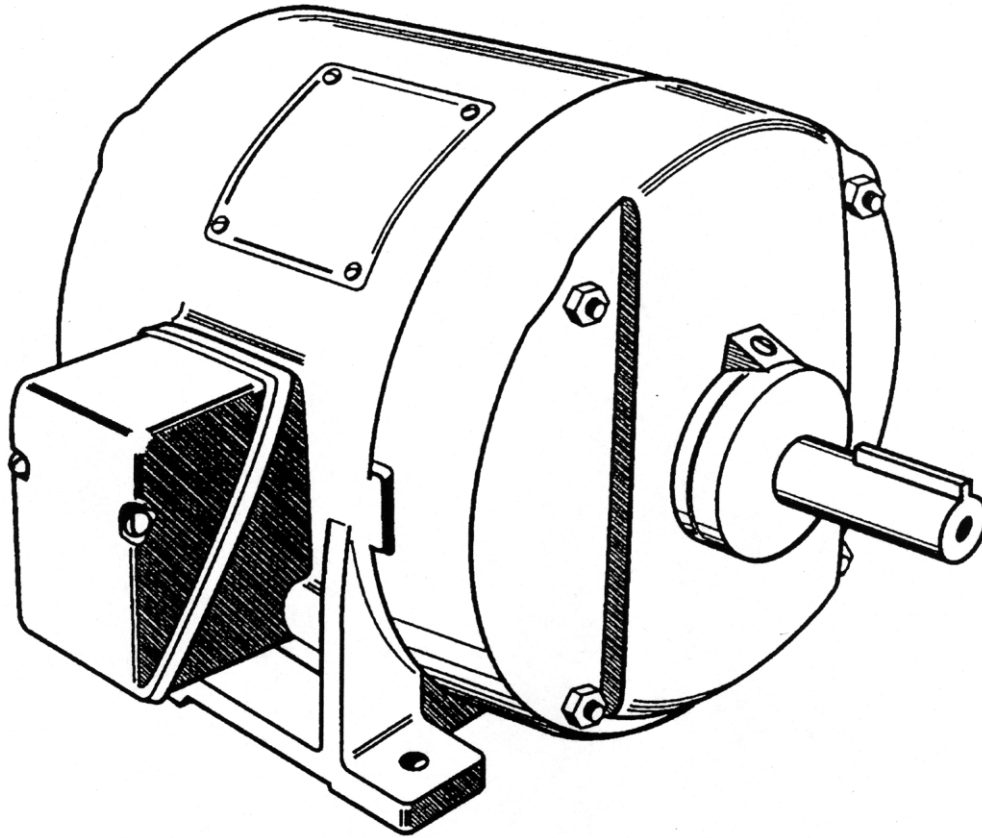
UV-2B Up-Leveling Valve



Up Leveling Valve
EECO Type UV-2

PART NO.	SIZE	INLET	OUTLET	DESCRIPTION
A271P1	1/2	0.75"	1"	Valve, Up-Leveling, EECO Type UV-2B
* A271P2	5/8	0.75"	1"	Valve, Up-Leveling, EECO Type UV-2B

* For replacement, see TIP 6.3.0-12.

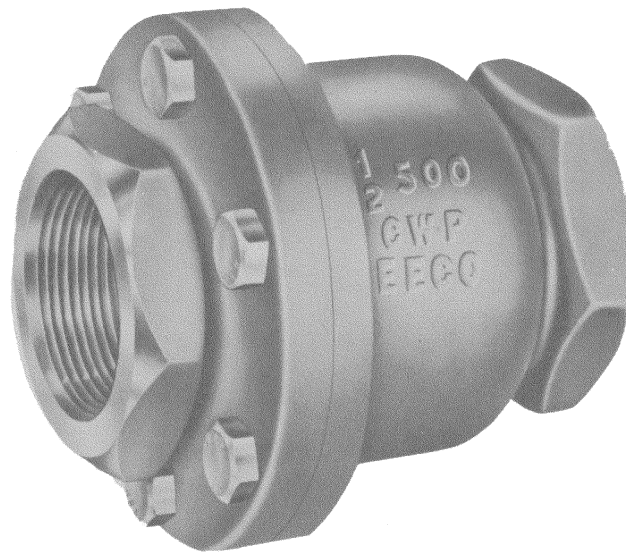
Single-Speed Motors

PART NO.	VOLTAGE	NAME PLATE HP	FRAME NO.	DESCRIPTION
6333BC1	208	3	145T	Motor, Single-Speed, 3-Phase, 60 Cycles, AC, 1800 RPM
6333BC2	230/460*	3	145T	
6333BC3	575	3	145T	
6333BC4	208	5	182T	
6333BC5	230/460*	5	182T	
6333BC6	575	5	182T	

NOTE: Specify Voltage.

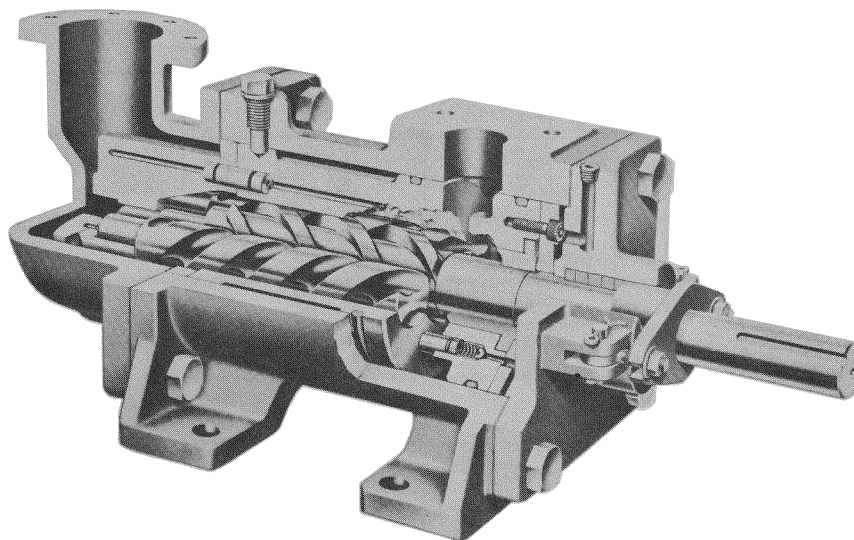
Check Valve & Pump

C-1074



Check Valve
EECO Series 3000

PART NO.	DESCRIPTION
271W1	Valve, Check, EECO Series 3000, Size 1

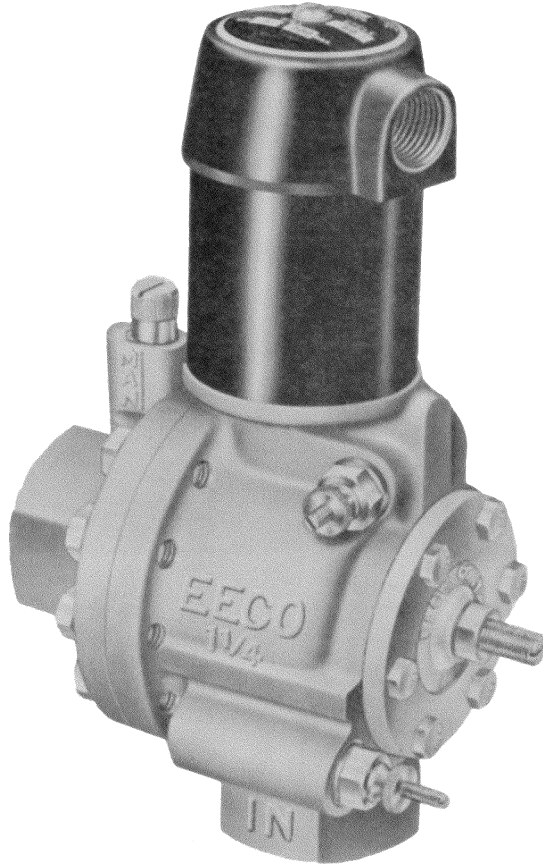


De Laval Imo Pump

PART NO.	DESCRIPTION
6962J1	Pump, DeLaval IMO-A3DB Type 137, 16 Gallons per Minute, 2100 RPM and 20 Gallons per Minute, at 2510 RPM
AAA27076AX1	Minor Repair Kit, for IMO Pump Model A3DB-137

C-1074

DL-3 Down Valve



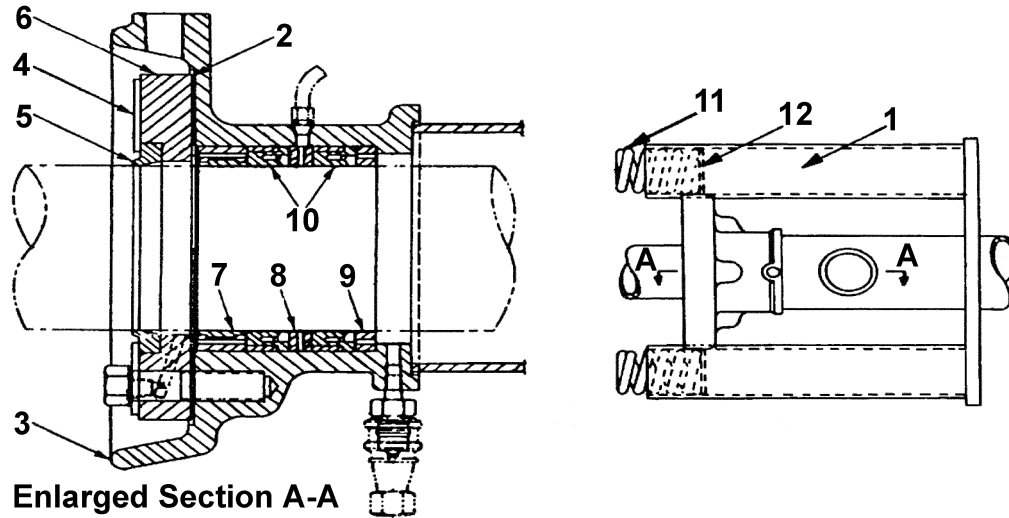
PART NO.	SIZE	DESCRIPTION
271BA2	3/8	Valve, Down, EECO Type DL-3
271BA3	1/2	Valve, Down, EECO Type DL-3. For replacement of EECO Type DL-3 valves, refer to TIP 6.3.0-12.

Belts, Bushings, and Sheaves for 3BA Pumping Unit
60 Hz Motor
Form O-352H and R352H1

PUMP RPM	BELT V WOODS P/N	MOTOR HP	MOTOR SHEAVE	MOTOR BUSHING	PUMP SHEAVE	PUMP BUSHING
2100	717A13	3	265BM4	321DE2	265BM1	321DE1
2100	717A13	5	265BM4	321DE4	265BM1	321DE1
2510	717A14	5	265BM7	321DE6	265BM3	321DE3

Cylinder Head Packing & Buffer Data

C-1074



Material List 2223G
Drawings A6942AA, 1-A6942Y, C6942Y
Order From O-351C, R-351C

Cylinder Size Pipe ID	Plunger Size Nominal OD	Ref. 1	Ref. 2	8, 9, 10	Ref. 3	Ref. 4	Ref. 5	Ref. 6	Ref. 7	Ref. 8	Ref. 9	Ref. 10	Ref. 11	Ref. 12
		Block 2 Req.	Gasket 1 Req.	Packing	Cylinder Head 1 Req.	Clamp Wiper 1 Req.	Wiper Ring 1 Req.	Clamp Ring 1 Req.	Wear Ring 1 Req.	Jack Pack Lantern Ring 1 Req.	Space Ring 1 Req.	Seal Jack Pack 2 Req.	Spring ** Req.	Washer ** Req.
5"	4"	310C11 310C12*	376NG1	1-A6942Y6	A390AMI	172LK1	172LG1	172LL1	A172KN1	1-172KP1	2-172KP1	4-182R1	* 90KD8 90ND5	127VD14
6"	4.5"	310C11 310C12*	376NG2	1-A6942Y6	A390ANI	172LK2	172LG12	172LL2	A172KN2	1-172KP2	2-172KP2	4-182R2	* 90KD8 90ND5	127VD14
7"	4.5"	310C11 310C12*	376NG2	1-A6942Y6	A390ANI	172LK2	172LG2	172LL2	A172KN2	1-172KP2	2-172KP2	4-182R2	* 90KD8 90ND5	127VD14
8"	5.5"	310C13	376NG3	1-A6942Y7	A390API	172LK3	172LG3	172LL3	A172KN3	1-172KP3	2-172KP3	4-182R3	* 90ND5 90TD4	127VD15
8"	6.5"	310C14	376NG4	1-A6942Y8	A390ARI	172LK4	172LG4	172LL4	A172KN4	1-172KP4	2-172KP4	4-182R4	* 90TD4 90AL2	127XA10
10"	7.5"	310C15	376NG5	1-A6942Y10	A390ASI	172LK6	172LG6	172LL6	A172KN6	1-172KP6	2-172KP16	4-182R6	* 90AL2 90ZD3	127VE8
10"	8.5"	310C15	376NG6	1-A6942Y17	A390ATI	172LK6	172LG6	172LL6	A172KN6	1-172KP6	2-172KP17	4-182R6	* 90AL2 90ZD3	127VE8
12"	9.5"	310C14	376NG7	1-A6942Y18	A390AVI	172LK7	172LG7	172LL7	A172KN7	1-172KP7	2-172KP18	4-182R7	* 90TD4 90AL2	127XA10
12"	10.5"	310C15	376NG8	1-A6942Y19	A390AWI	182LK8	172LG8	182LL8	A172KN8	1-172KP8	2-172KP19	4-182R8	* 90AL2 90ZD3	127VE8
16" (OD)	12.5"	310C15	376NG9	1-A6942Y20	A390AXI	182LK9	172LG9	182LL9	A172KN9	1-172KP9	2-172KP20	4-182R9	90ZD3	127VE8

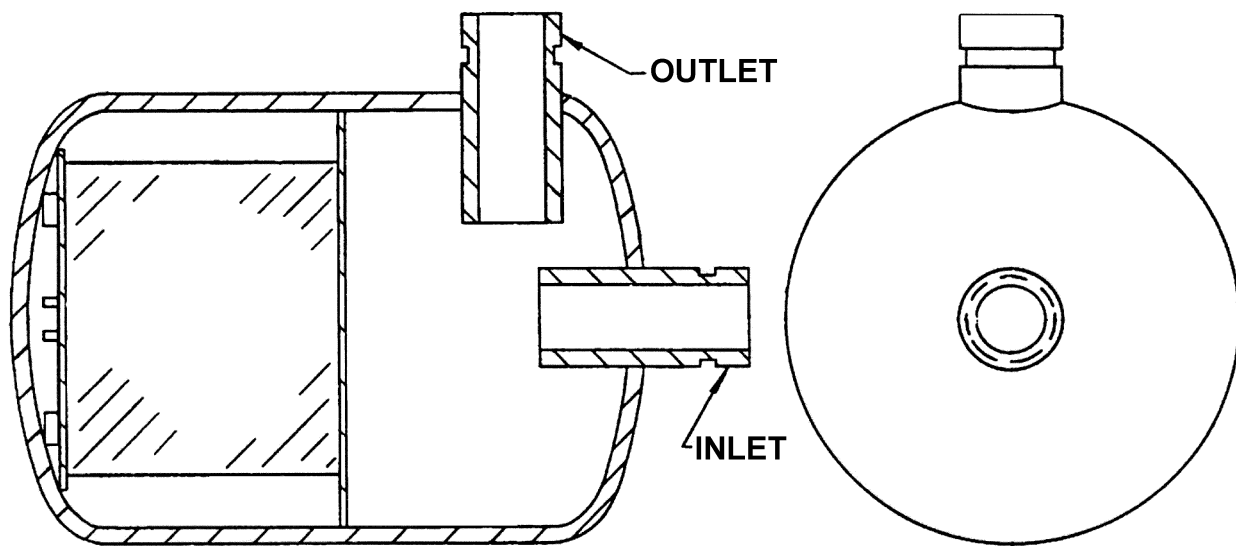
NOTE: For cylinder head packing replacement parts, see **SPL 03-6942Y**.

* Part to be used is determined by the gross load; for replacement give elevator sales number.

** Quantity variable.

C-1074

Hydraulic Muffler



PART NO.	OD	LENGTH	PIPE SIZE	DESCRIPTION
A441AM1	8.625"	14"	1.5"	Muffler, Hydraulic
B441AM1	8.625"	14"	1.5"	Muffler, Hydraulic

NOTE: 3BA machines require reducing couplings to attach muffler to line.