

**Hydraulic Elevator  
w/ Type 5BA  
Hydraulic Machine**

**Spare Parts Leaflet**

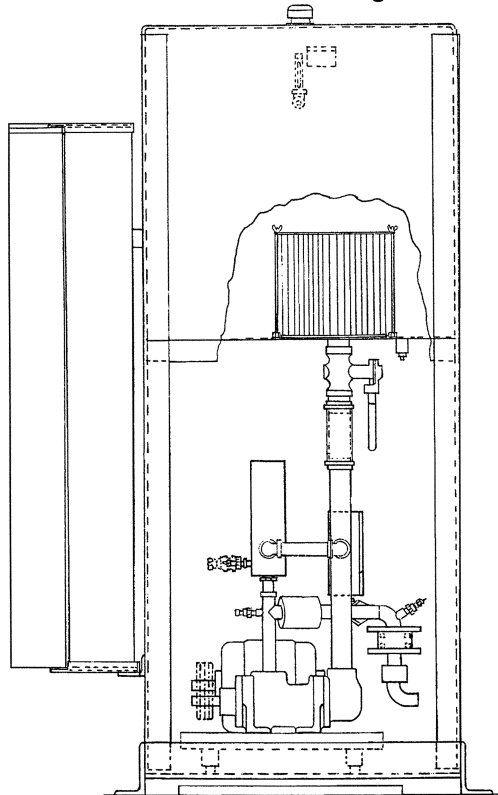
**C-1075**

**September 27, 2023 / Page 1 of 14**

# OBSOLESCENCE NOTICE

The product covered in this SPL has been designated as obsolete and is no longer supported. See TIP 32.2-1, *Obsolete Components*, for potential upgrade. Replacement lower level parts listed within and unique to this design are not being restocked when depleted. Some of these parts, depending on availability and other factors, may be quoted through Customer Service, but most will have extended lead times and increased cost due to low volume production.

New York Design



Typical Illustration

NOTE: For Lubrication and Hydraulic Oil, see Lubrication Chart #2422H.  
Order Form O-352H

**OTIS**

This document does not contain any  
technical data subject to EAR or ITAR

**SERVICE ENGINEERING**

**Otis Elevator Company**

**Bloomfield, Connecticut USA**

Unpublished Work—© Otis Elevator Co.; 2023

**Leaflet Description**

This leaflet provides information for replacement parts for the New York Design hydraulic elevator, also known as plunger electric elevator, with type 5BA machine, belt driven pump and EECO valves.

**Leaflet Revisions**

<b>Date Revised</b>	<b>Subject Matter Expert</b>	<b>Reason for Revision</b>
December 31, 1970	---	---
July 01, 1997	---	---
July 31, 2003	Troy Chicoine	Add minor repair kits (p/n AAA27076AX2-3).
September 28, 2022	Juan Murillo	Updated to include OBSOLESCENCE note on cover
September 27, 2023	Juan Murillo	Updated OBSOLESCENCE note on cover

**Related Drawings**

<b>Drawing No.</b>	<b>Title</b>	<b>Drawing No.</b>	<b>Title</b>
---	---	---	---
---	---	---	---

**Related Documents**

<b>Document ID</b>	<b>Title</b>
---	---
---	---

**Subject Matter Expert**

<b>Name</b>	<b>Department</b>
Brian Regan	OSC Service Engineering

**About Spare Parts Leaflets...**

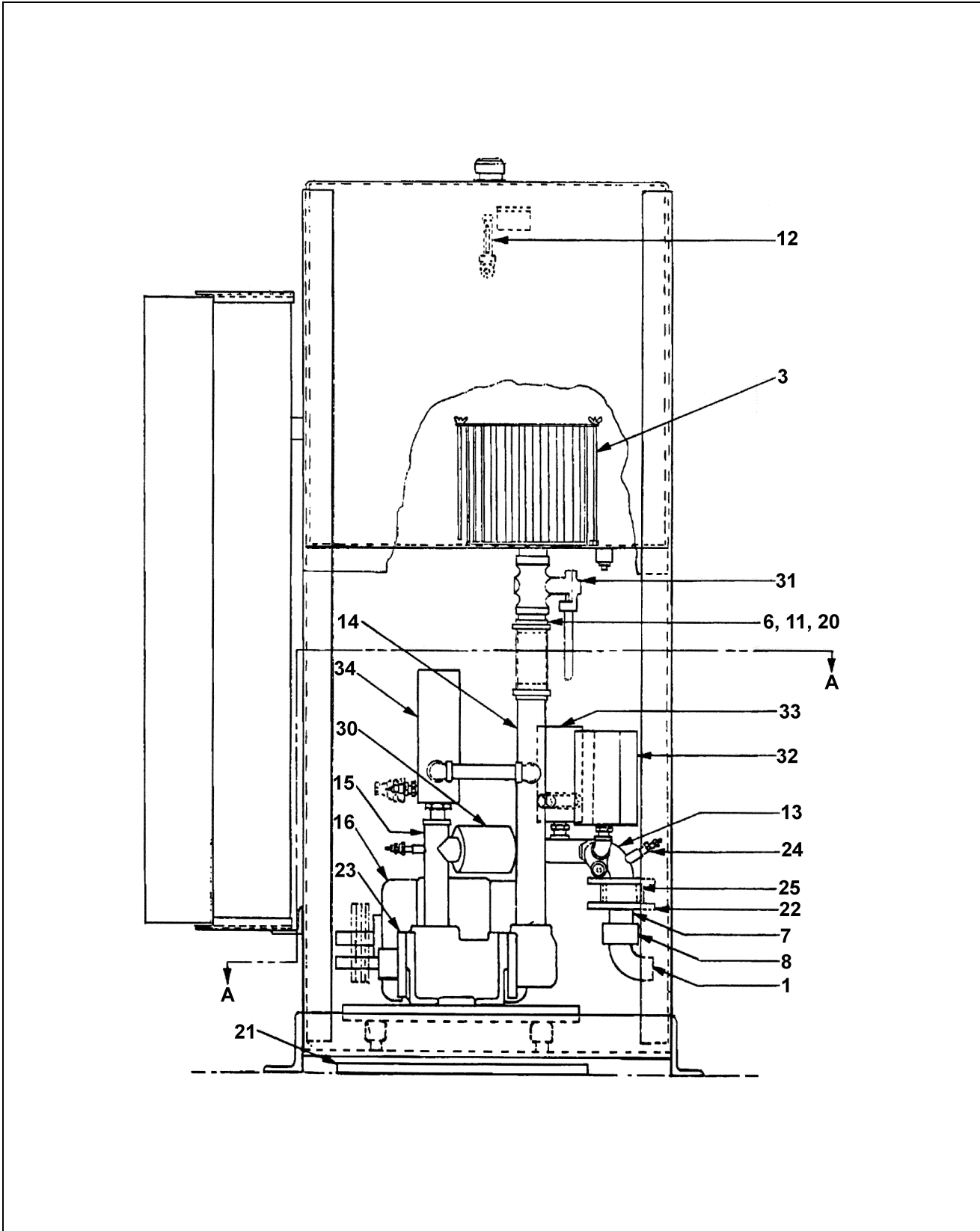
This document lists the lowest replaceable units (LRUs) for the standard version of the product. The LRUs are chosen by a team of Otis associates representing engineering and manufacturing.

While goal of this document is to make parts identification as easy as possible, the document cannot be all-inclusive. Elevator and escalator contracts classified as “special” or “custom” are not addressed here. For such contracts, please refer to specified information, the contract folder, TIPs, Field Education Articles, Construction Letters, etc. for further information.

If you have any suggestions about this document, please contact the subject matter expert listed on this page.

# Type 5BA Hydraulic Machine

C-1075

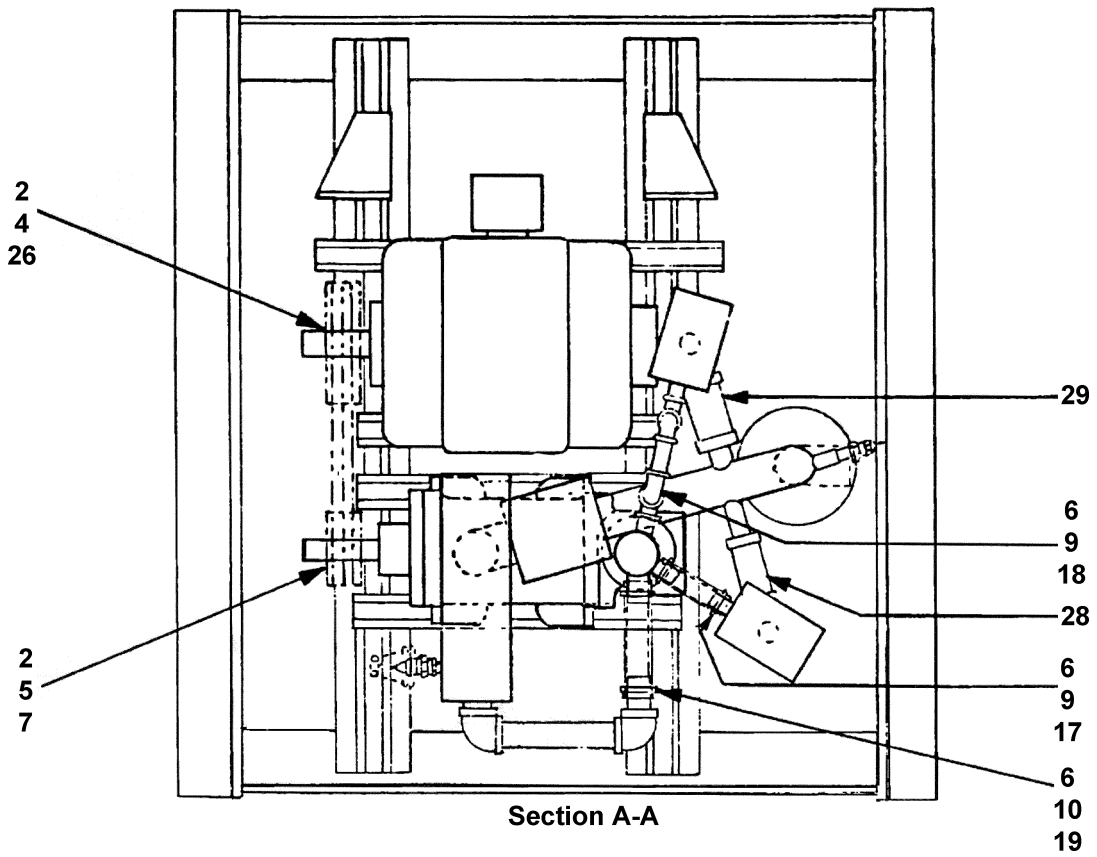


**C-1075****Type 5BA Hydraulic Machine**

**Type 5BA Hydraulic Machine**  
**Order Form O-352H, R-352H, and R-352H1-2**  
**Material List 2223F26**  
**Drawings 7121A, A7121C**

<b>REF. NO.</b>	<b>PART NO.</b>	<b>DESCRIPTION</b>
1	441AT2	Adapter, Victaulic, 90°, Size 1.5" Elbow
3	A254D1	Bonnet, Oil Filter
6	336DY1	Clamp, Hose
7	377BX2	Fitting, Isoline, Size 1.5"
8	441AS2	Fitting, Victaulic, Size 1.5" Coupling
11	134A38	Hose, Oil, Thermoid, 2.25" ID, 6" Long (Tank Shut-Off Valve to Return Manifold)
12	269AW1	Indicator, Oil Level
13	A377CB2	Manifold, Horizontal Discharge Pipe, 1.5"
14	A377BV2	Manifold, Return Pipe, 2"
15	377BT2	Manifold, Vertical Discharge Pipe, 1.5"
16	---	Motor, 1800 RPM, 3 HP, 60 Hz. See page 9.
20	441AH39	Pipe, Half-Nipple, Std. Steel, 2" x 2" (Tank Shut-Off Valve)
21	437AP1	Pan, Drip
22	386AYR2	Plate, Clamp
23	6962J2	Pump, Hydraulic IMO-A3DB DeLaval Type 156. See page 10.
24	---	Plug, Shut-Off, Two-Way Hansen 0.25" (2-K16)
25	182W2	Ring, Packing, Neoprene, 3.125" OD, 1.875" ID, 0.625" Thick
30	271W2	Valve, Check, EECO Series 3000, Size 1.5". See page 10.
31	271AB2	Valve, Butterfly, Tank Shut-Off, 2"
32	---*	Valve, Down-Leveling, EECO DL-3, Size 0.25". See page 10.
33	---*	Valve, Down, EECO DL-3, Size 0.50". See page 11.
34	---*	Valve, Bypass, EECO BP-3 (without up-leveling). See page 7.
34	---*	Valve, Up-Leveling, EECO UV-2B. See page 8.
34	---*	Valve, Up-Leveling, EECO UV-3A. See page 8.

\* Part to be used is determined by the car up speed, gross load or empty car weight and plunger. For replacement, give elevator sales number.



**C-1075****Type 5BA Hydraulic Machine****Type 5BA Hydraulic Machine**

Order Form O-352H, R-352H, and R-352H1-2  
 Material List 2223F26  
 Drawings 7121A, A7121C

REF. NO.	PART NO.	DESCRIPTION
2	---	Belts, V Woods. See page 12.
4	---	Bushing, Motor. See page 12.
5	---	Bushing, Pump. See page 12.
6	336DY1	Clamp, Hose
9*	134A22	Hose, Oil, Thermoid, 0.75" ID, 3.5" Long (Down Valve and Down-Leveling Valve to Return Manifold)
10	134A29	Hose, Oil, Thermoid, 1.25" ID, 4" Long (Used with Bypass Valve to Return Manifold)
10	134A43	Hose, Oil, Thermoid, 1.25" ID, 6" Long (Used with Up Valve to Return Manifold)
17	441AH29	Pipe, Half-Nipple, Std. Steel, 0.5" x 1.5" Down-Leveling Valve
18*	441AH31	Pipe, Half-Nipple, Std. Steel, 0.5" x 3.5" Down Valve
19	441AH34	Pipe, Half-Nipple, Std. Steel, 1" x 2" Up Valve
26	---	Sheave, Motor. See page 12.
27	---	Sheave, Pump. See page 12.
28	A441AV1	Strainer, Pipe Line, 0.5" Down-Leveling Valve
29	A441AV2	Strainer, Pipe Line, 0.75" Down Valve

\* Reference indicates location only; part not shown in illustration.

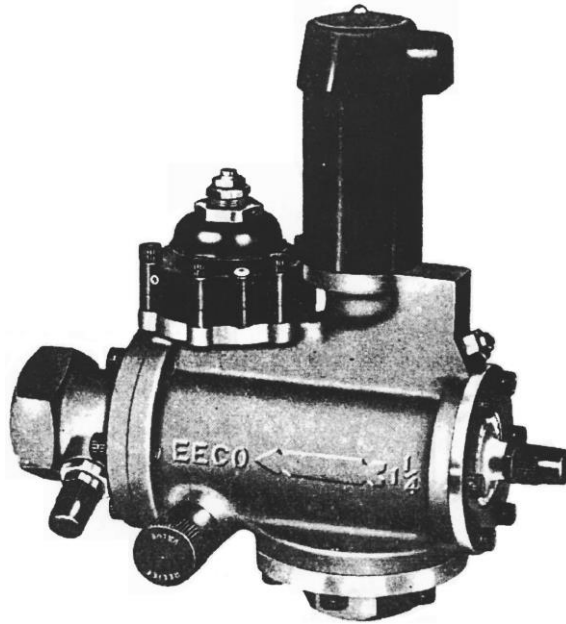
# BP3 Bypass Valve

C-1075

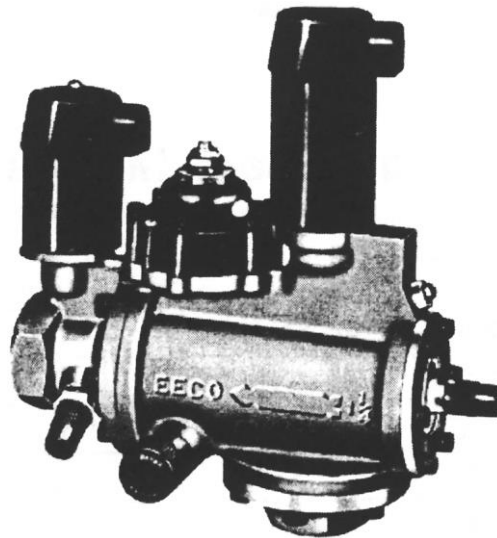


**By-Pass Valve**  
EECO Type BP-3

<b>PART NO.</b>	<b>SIZE</b>	<b>DESCRIPTION</b>
271J1	1/2	Valve, Bypass, EECO Type BP-3
271J2	3/4	Valve, Bypass, EECO Type BP-3

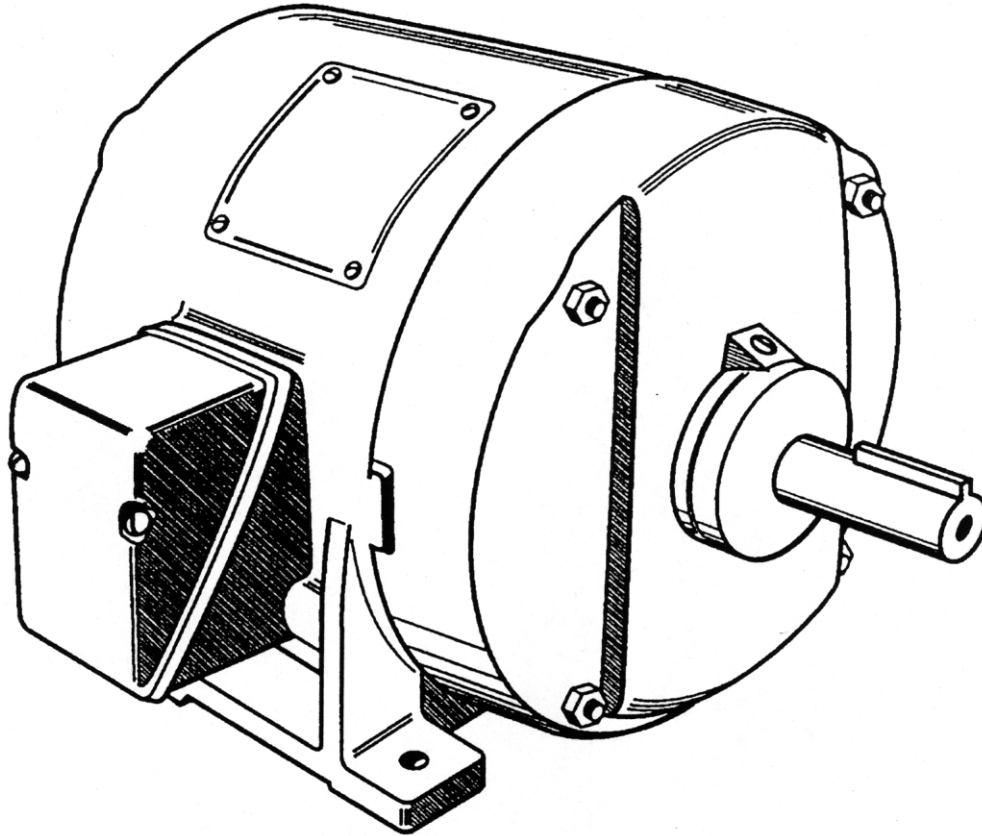
**C-1075****UV-2B & UV-3A Up-Leveling Valves**

<b>PART NO.</b>	<b>SIZE</b>	<b>INLET</b>	<b>OUTLET</b>	<b>DESCRIPTION</b>
A271P1	1/2	0.75"	1"	Valve, Up-Leveling, EECO Type UV-2B
A271P2	5/8	0.75"	1"	Valve, Up-Leveling, EECO Type UV-2B. For replacement, refer to TIP 6.3.0-12.



<b>PART NO.</b>	<b>SIZE</b>	<b>INLET</b>	<b>OUTLET</b>	<b>DESCRIPTION</b>
A271AA11	1/2	0.75"	1"	Valve, Up-Leveling, EECO Type UV-3A
A271AA1	5/8	0.75"	1"	Valve, Up-Leveling, EECO Type UV-3A



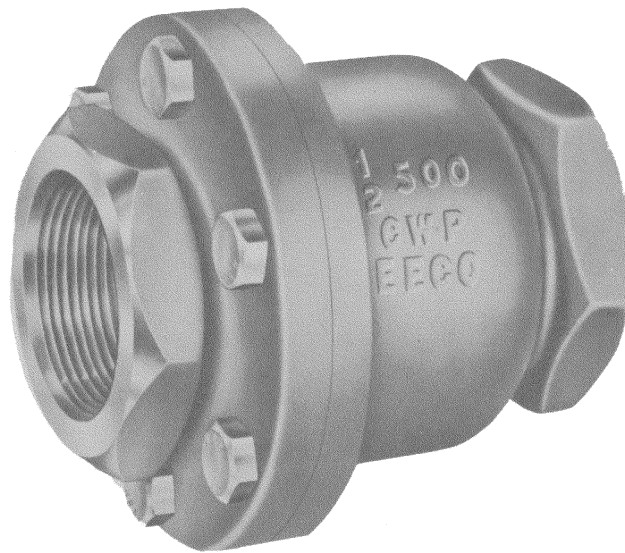
**C-1075****Single-Speed Motors**

<b>PART NO.</b>	<b>VOLTAGE</b>	<b>NAME PLATE HP</b>	<b>FRAME NO.</b>	<b>DESCRIPTION</b>
6333BC4	208	5	182T	Motor, Single-Speed, 3-Phase, 60 Cycles, AC, 1800 RPM
6333BC5	230/460*	5	182T	
6333BC6	575	5	182T	
6333BC7	208	7.5	184T	
6333BC8	230/460*	7.5	184T	
6333BC9	575	7.5	184T	
6333BC10	208	10	213T	
6333BC11	230/460*	10	213T	
6333BC12	575	10	213T	

**NOTE:** Specify Voltage.

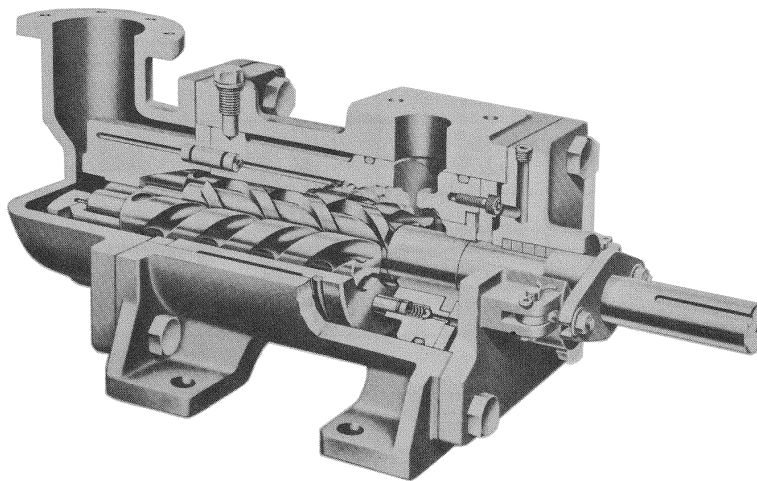
# Check Valve & Pump

**C-1075**



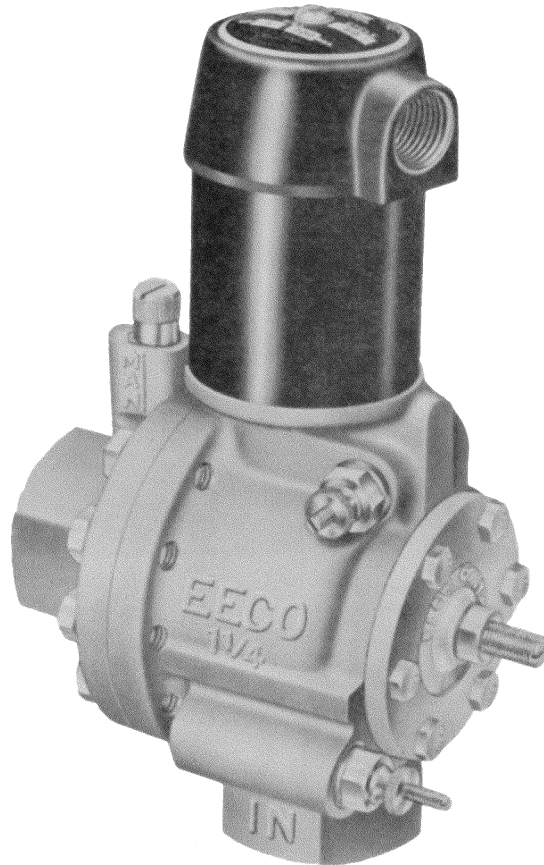
**Check Valve**  
EECO Series 3000

PART NO.	DESCRIPTION
271W2	Valve, Check, EECO Series 3000, Size 1-1/2



**De Laval Imo Pump**

PART NO.	DESCRIPTION
6962J2	Pump, DeLaval IMO A3DB Type 156, 31 Gallons per Minute, 2580 RPM and 40 Gallons per Minute, at 31750 RPM
AAA27076AX2	Minor Repair Kit, for IMO Pump Model 3DB-156
AAA27076AX3	Minor Repair Kit, for IMO Pump Model A3DB-156

**C-1075****DL-3 Down & Down-Leveling Valves**

<b>PART NO.</b>	<b>SIZE</b>	<b>DESCRIPTION</b>
271BA3	1/2	Valve, Down, EECO Type DL-3.

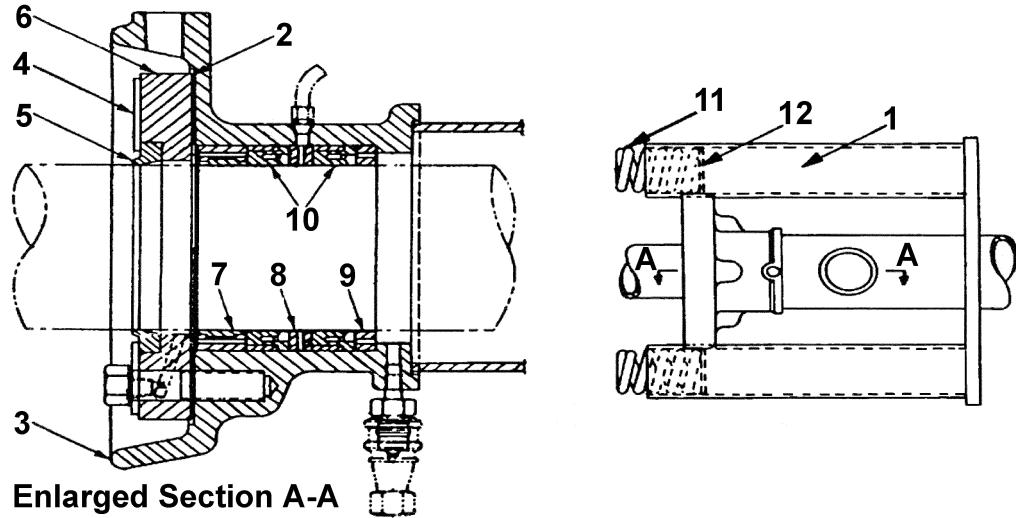
<b>PART NO.</b>	<b>SIZE</b>	<b>DESCRIPTION</b>
271BA1	1/4	Valve, Down-Leveling, EECO Type DL-3.

## Belts, Bushings, and Sheaves for 5BA Pumping Unit 60 Hz Motor Form O-352H and R352H1

<b>PUMP RPM</b>	<b>BELT V WOODS P/N</b>	<b>MOTOR HP</b>	<b>MOTOR SHEAVE</b>	<b>MOTOR BUSHING</b>	<b>PUMP SHEAVE</b>	<b>PUMP BUSHING</b>
2580	717A15	5 or 7.5	265BM6	321DE4	265BM2	321DE1
3175	717A16	7.5	265BM17	321DE6	265BM4	321DE1
3175	717A16	10	265BM17	321DE5	265BM4	321DE1

# Cylinder Head Packing & Buffer Data

**C-1075**



**Material List 2223G and 1-2223G**  
**Drawings A6942AA, 1-A6942Y, C6942Y**  
**Order From O-351C, R-351C**

Cylinder Size Pipe ID	Plunger Size Nominal OD	Ref. 1	Ref. 2	8, 9, 10	Ref. 3	Ref. 4	Ref. 5	Ref. 6	Ref. 7	Ref. 8	Ref. 9	Ref. 10	Ref. 11	Ref. 12
		Block 2 Req.	Gasket 1 Req.	Packing	Cylinder Head 1 Req.	Clamp Wiper 1 Req.	Wiper Ring 1 Req.	Clamp Ring 1 Req.	Wear Ring 1 Req.	Jack Pack Lantern Ring 1 Req.	Space Ring 1 Req.	Seal Jack Pack 2 Req.	Spring ** Req.	Washer ** Req.
5"	4"	310C11 310C12*	376NG1	1-A6942Y6	A390AMH	172LK4	172LG4	172LL4	A172KN4	1-172KP4	2-172KP4	4-182R4	* 90KD8 90ND5	127VD14
6"	4.5"	310C11 310C12*	376NG2	1-A6942Y6	A390ANI	172LK2	172LG42	172LL2	A172KN2	1-172KP2	2-172KP2	4-182R2	* 90KD8 90ND5	127VD14
7"	4.5"	310C11 310C12*	376NG2	1-A6942Y6	A390ANI	172LK2	172LG2	172LL2	A172KN2	1-172KP2	2-172KP2	4-182R2	* 90KD8 90ND5	127VD14
8"	5.5"	310C13	376NG3	1-A6942Y7	A390API	172LK3	172LG3	172LL3	A172KN3	1-172KP3	2-172KP3	4-182R3	* 90ND5 90TD4	127VD15
8"	6.5"	310C14	376NG4	1-A6942Y8	A390ARI	172LK4	172LG4	172LL4	A172KN4	1-172KP4	2-172KP4	4-182R4	* 90TD4 90AL2	127XA10
10"	7.5"	310C15	376NG5	1-A6942Y10	A390ASI	172LK5	172LG5	172LL5	A172KN5	1-172KP5	2-172KP16	4-182R5	* 90AL2 90ZD3	127VE8
10"	8.5"	310C15	376NG6	1-A6942Y17	A390ATH	172LK6	172LG6	172LL6	A172KN6	1-172KP6	2-172KP17	4-182R6	* 90AL2 90ZD3	127VE8
12"	9.5"	310C14	376NG7	1-A6942Y18	A390AVI	172LK7	172LG7	172LL7	A172KN7	1-172KP7	2-172KP18	4-182R7	* 90TD4 90AL2	127XA10
12"	10.5"	310C15	376NG8	1-A6942Y19	A390AWI	182LK8	172LG8	182LL8	A172KN8	1-172KP8	2-172KP19	4-182R8	* 90AL2 90ZD3	127VE8
16" (OD)	12.5"	310C15	376NG9	1-A6942Y20	A390AXI	182LK9	172LG9	182LL9	A172KN9	1-172KP9	2-172KP20	4-182R9	90ZD3	127VE8

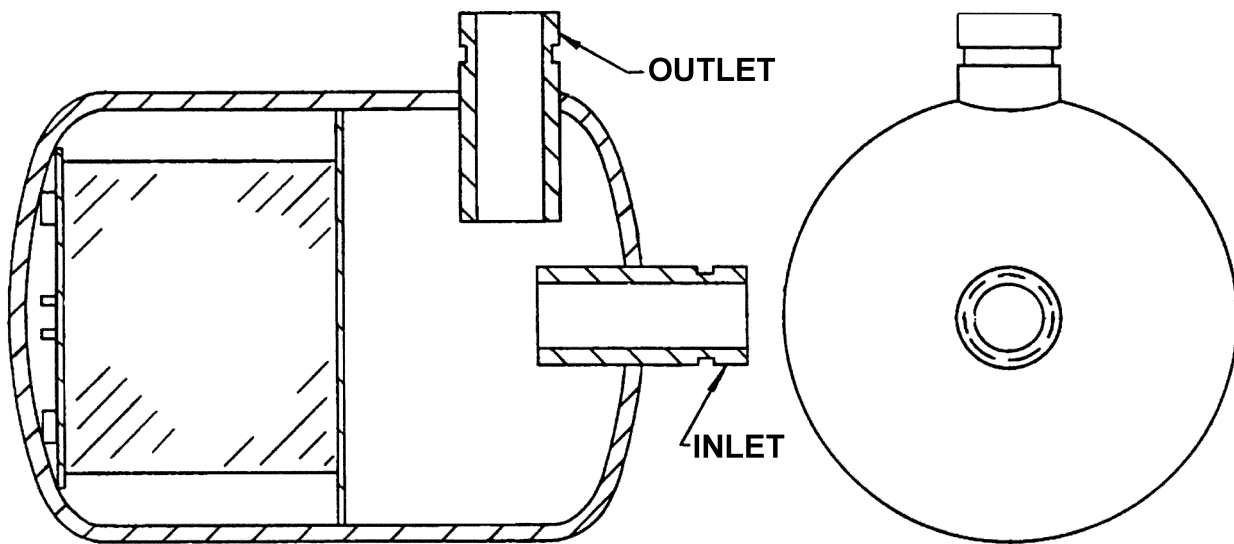
**NOTE:** For cylinder head packing replacement parts, see **SPL 03-6942Y**.

\* Part to be used is determined by the gross load; for replacement give elevator sales number.

\*\* Quantity variable.

**C-1075**

# Hydraulic Muffler



<b>PART NO.</b>	<b>OD</b>	<b>LENGTH</b>	<b>PIPE SIZE</b>	<b>DESCRIPTION</b>
A441AM1	8.625"	14"	1.5"	Muffler, Hydraulic
B441AM1	8.625"	14"	1.5"	Muffler, Hydraulic