

**Hydraulic Elevator
w/ Type 17BA
Hydraulic Machine**

Spare Parts Leaflet

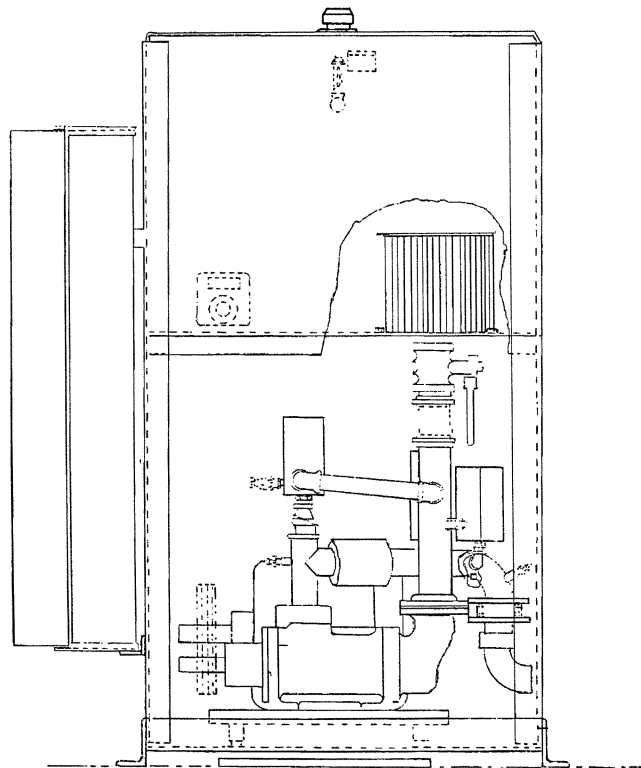
C-1078

September 27, 2023 / Page 1 of 14

OBSOLESCENCE NOTICE

The product covered in this SPL has been designated as obsolete and is no longer supported. See TIP 32.2-1, *Obsolete Components*, for potential upgrade. Replacement lower level parts listed within and unique to this design are not being restocked when depleted. Some of these parts, depending on availability and other factors, may be quoted through Customer Service, but most will have extended lead times and increased cost due to low volume production.

New York Design



Typical Illustration

NOTE: For Lubrication and Hydraulic Oil, see Lubrication Chart #2422H.
Order Form O-352H

OTIS

This document does not contain any
technical data subject to EAR or ITAR

SERVICE ENGINEERING

Otis Elevator Company

Bloomfield, Connecticut USA

Unpublished Work—© Otis Elevator Co.; 2023

Leaflet Description

This leaflet provides information for replacement parts for the New York Design hydraulic elevator, also known as plunger electric elevator, with type 17BA machine, belt driven pump and EECO valves.

Leaflet Revisions

Date Revised	Subject Matter Expert	Reason for Revision
December 31, 1970	---	---
July 01, 1997	---	---
July 31, 2003	Troy Chicoine	Add minor repair kits (p/n AAA27076AX10-12).
September 28, 2022	Juan Murillo	Updated to include OBSOLESCENCE note on cover
September 27, 2023	Juan Murillo	Updated OBSOLESCENCE note on cover

Related Drawings

Drawing No.	Title	Drawing No.	Title
---	---	---	---
---	---	---	---

Related Documents

Document ID	Title
---	---
---	---

Subject Matter Expert

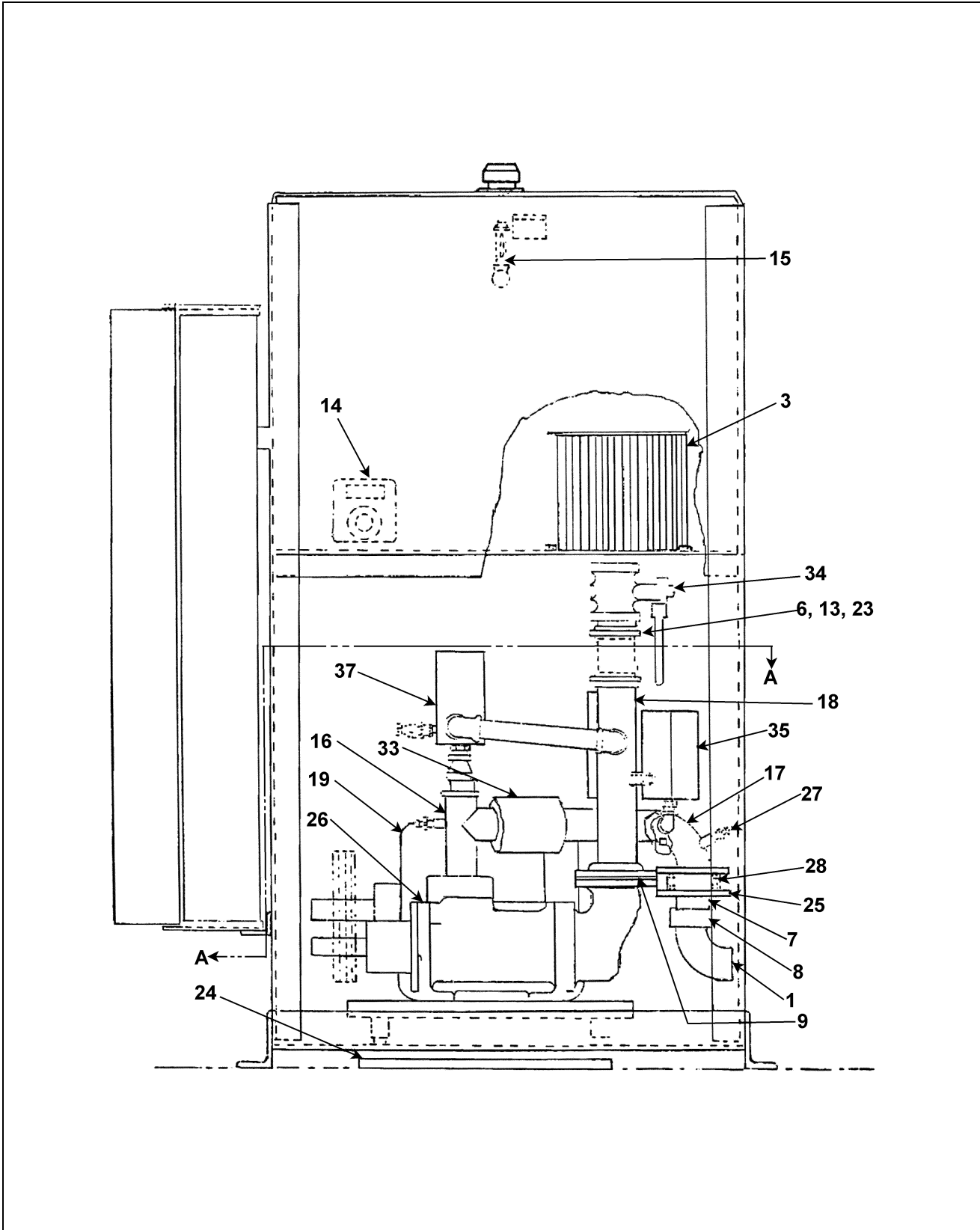
Name	Department
Brian Regan	OSC Service Engineering

About Spare Parts Leaflets...

This document lists the lowest replaceable units (LRUs) for the standard version of the product. The LRUs are chosen by a team of Otis associates representing engineering and manufacturing.

While goal of this document is to make parts identification as easy as possible, the document cannot be all-inclusive. Elevator and escalator contracts classified as “special” or “custom” are not addressed here. For such contracts, please refer to specified information, the contract folder, TIPs, Field Education Articles, Construction Letters, etc. for further information.

If you have any suggestions about this document, please contact the subject matter expert listed on this page.



C-1078**Type 17BA Hydraulic Machine**

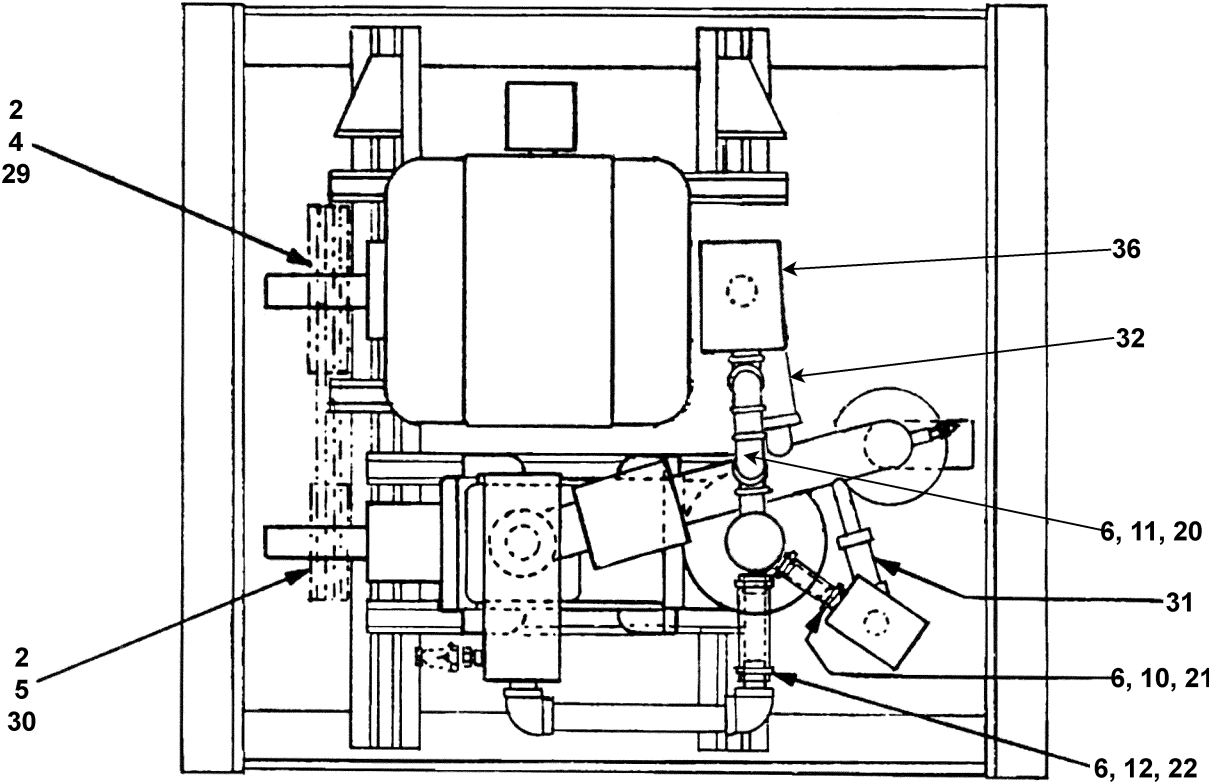
Type 17BA Hydraulic Machine
Order Form O-352H, R-352H, and R-352H1-2
Material List 2223F29
Drawings 7121A, A7121F

REF. NO.	PART NO.	DESCRIPTION
1	441AT4	Adapter, Victaulic, 90°, Size 2.5" Elbow
3	A254D1	Bonnet, Oil Filter
6	336DY1	Clamp, Hose
7	377BX4	Fitting, Isoline, Size 2.5"
8	441AS4	Fitting, Victaulic, Size 2.5" Coupling
9	376H12	Gasket, Vellumoid, 7.5" OD, 3.625" ID, 0.0625" Thick
13	134A40	Hose, Oil, Thermoid, 3.5" ID, 4.5" Long (Tank Shut-Off Valve to Return Manifold)
14	2223A63	Heater, Immersion
15	269AW1	Indicator, Oil Level
16	377BT4	Manifold, Vertical Discharge Pipe, 2.5"
17	A377CB5	Manifold, Horizontal Discharge Pipe, 2.5"
18	A377BV5	Manifold, Return Pipe, 3" (Used with 1.25" Inlet Up Valves)
18	A377BV6	Manifold, Return Pipe, 3" (Used with 1" Inlet Up Valves)
19	---	Motor, 1800 RPM, 3 HP, 60 Hz. See page 9.
23	441AH42	Pipe, Half-Nipple, Std. Steel, 3" x 2" (Tank Shut-Off Valve)
24	437AP1	Pan, Drip
25	386AYR4	Plate, Clamp
26	6062AM4 2700ADD1	Pump, Hydraulic IMO-A3DB DeLaval Type 250. See page 10.
27	---	Plug, Shut-Off, Two-Way Hansen 0.25" (2-K16)
28	182W4	Ring, Packing, Neoprene, 4.125" OD, 2.875" ID, 0.625" Thick
33	271W4	Valve, Check, EECO Series 3000, Size 2.5". See page 10.
34	271AB4	Valve, Butterfly, Tank Shut-Off, 3"
35	---*	Valve, Down-Leveling, EECO DL-3. See page 11.
37	---*	Valve, Bypass, EECO BP-3. See page 7.
37	---*	Valve, Up-Leveling, EECO UV-2B. See page 8.
37	---*	Valve, Up-Leveling, EECO UV-3A. See page 8.

* Part to be used is determined by the car up speed, gross load or empty car weight and plunger. For replacement, give elevator sales number.

Type 17BA Hydraulic Machine

C-1078



Section A-A

Type 17BA Hydraulic Machine

Type 17BA Hydraulic Machine
Order Form O-352H, R-352H and R-352H1-2
Material List 2223F29
Drawings 7121A, A7121F

REF. NO.	PART NO.	DESCRIPTION
2	---	Belts, V Woods. See page 12.
4	---	Bushing, Motor. See page 12.
5	---	Bushing, Pump. See page 12.
6	336DY1	Clamp, Hose
10	134A22	Hose, Oil, Thermoid, 0.75" ID, 3.5" Long (Down-Leveling Valve to Return Manifold)
11*	134A31	Hose, Oil, Thermoid, 1.625" ID, 4" Long (Down Valve to Return Manifold)
12	134A34	Hose, Oil, Thermoid, 1.875" ID, 3.75" Long (Used with Bypass Valve to Return Manifold)
12	134A42	Hose, Oil, Thermoid, 1.875" ID, 5" Long (Used with Up Valve to Return Manifold)
20*	441AH17	Pipe, Half-Nipple, Std. Steel, 1.25" x 4" Down Valve
21	441AH29	Pipe, Half-Nipple, Std. Steel, 0.5" x 1.5" Down-Leveling Valve
22	441AH37	Pipe, Half-Nipple, Std. Steel, 1.5" x 2" Up Valve
29	---	Sheave, Motor. See page 12.
30	---	Sheave, Pump. See page 12.
31	A441AV1	Strainer, Pipe Line, 0.5" Down-Leveling Valve
32	A441AV5	Strainer, Pipe Line, 1.5" Down Valve
36	---*	Valve, Down, EECO DL-3. See page 11.

* Reference indicates location only; part not shown in illustration.

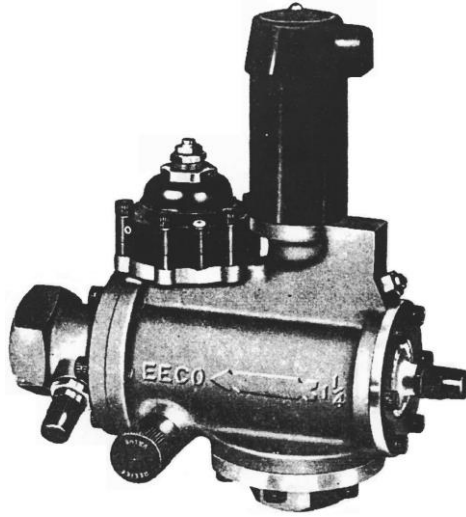
BP3 Bypass Valve

C-1078

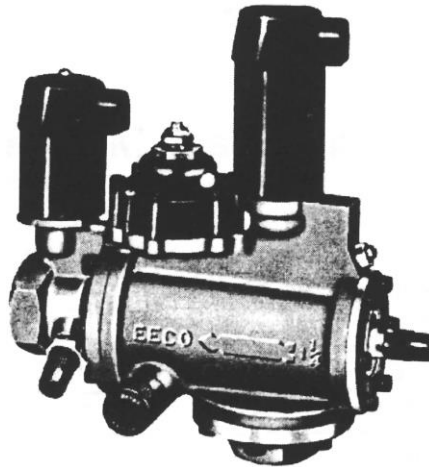


By-Pass Valve
EECO Type BP-3

PART NO.	SIZE	DESCRIPTION
271J3	1	Valve, Bypass, EECO Type BP-3
271J4	1-1/4	Valve, Bypass, EECO Type BP-3

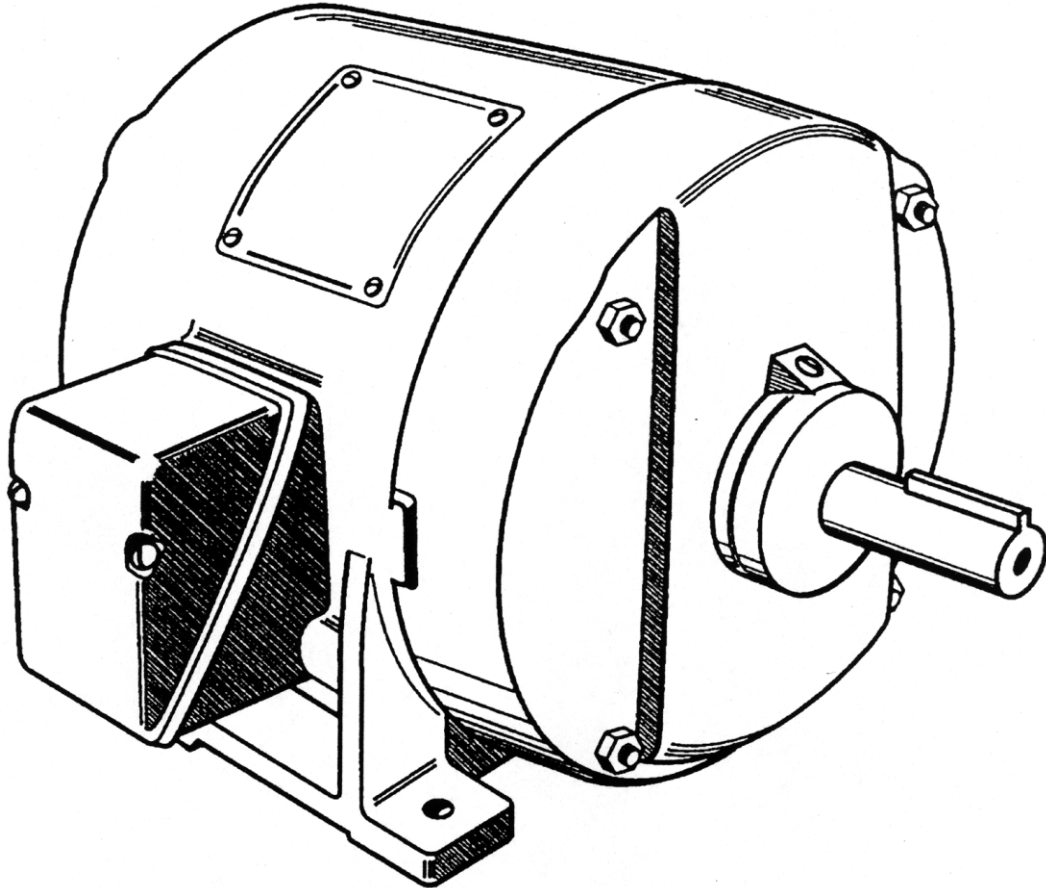
UV-2B & UV-3A Up-Leveling Valves

PART NO.	SIZE	INLET	OUTLET	DESCRIPTION
A271P4	7/8	1"	1.25"	Valve, Up-Leveling, EECO Type UV-2B
A271P5	1	1"	1.25"	Valve, Up-Leveling, EECO Type UV-2B. For replacement, refer to TIP 6.3.0-12.
A271P6	1-1/8	1.25"	1.50"	Valve, Up-Leveling, EECO Type UV-2B
A271P7	1-1/4	1.25"	1.50"	Valve, Up-Leveling, EECO Type UV-2B. For replacement, refer to TIP 6.3.0-12.



PART NO.	SIZE	INLET	OUTLET	DESCRIPTION
A271AA3	7/8	1"	1.25"	Valve, Up-Leveling, EECO Type UV-3A. For replacement, refer to TIP 6.3.0-12.
A271AA4	1	1"	1.25"	Valve, Up-Leveling, EECO Type UV-3A. For replacement, refer to TIP 6.3.0-12.
A271AA5	1-1/8	1.25"	1.50"	Valve, Up-Leveling, EECO Type UV-3A. For replacement, refer to TIP 6.3.0-12.
A271AA6	1-1/4	1.25"	1.50"	Valve, Up-Leveling, EECO Type UV-3A. For replacement, refer to TIP 6.3.0-12.

Single-Speed Motors

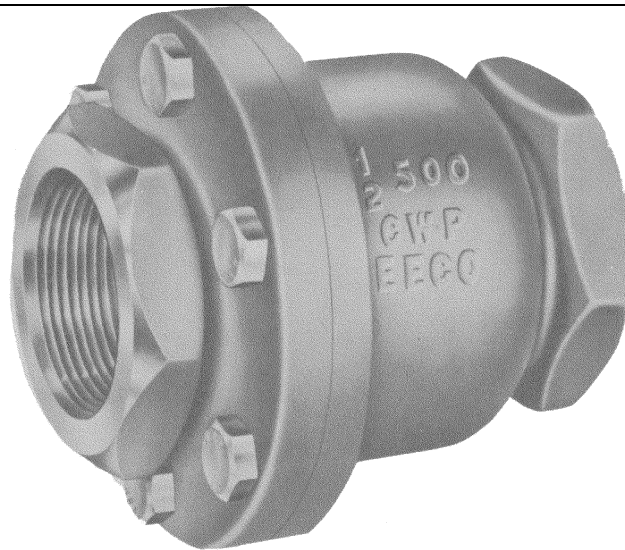


PART NO.	VOLTAGE	NAME PLATE HP	FRAME NO.	DESCRIPTION
6333BC16	208	20	254T	Motor, Single-Speed, 3-Phase, 60 Cycles, AC, 1800 RPM
6333BC17	230/460*	20	254T	
6333BC18	575	20	254T	
6333BC19	208	25	256T	
6333BC20	230/460*	25	256T	
6333BC21	575	25	256T	
6333BC22	208	30	284T	
6333BC23	230/460*	30	284T	
6333BC24	575	30	284T	
6333BC25	208	40	286T	
6333BC26	230/460*	40	286T	
6333BC27	575	40	286T	

* Specify Voltage.

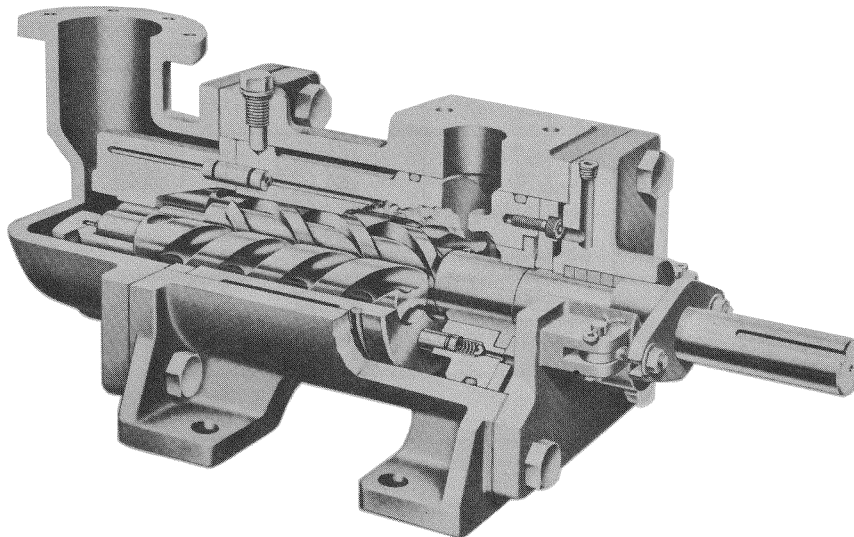
Check Valve & Pump

C-1078

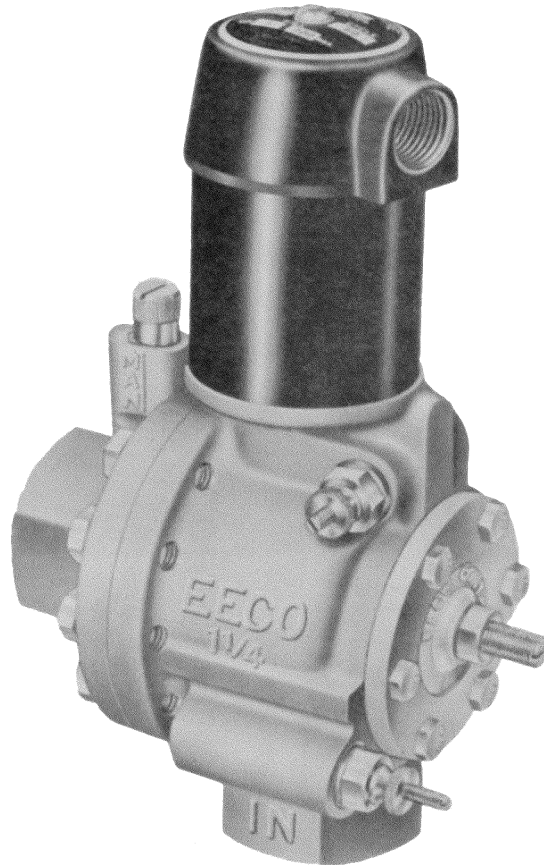


Check Valve
EECO Series 3000

PART NO.	DESCRIPTION
271W4	Valve, Check, EECO Series 3000, Size 2-1/2. For replacement, refer to TIP 6.3.0-12.



PART NO.	DESCRIPTION
6962AM4	Pump, DeLaval IMO-A3DB Type 250, 115 Gallons per Minute, at 2220 RPM and 123 Gallons per Minute, at 2340 RPM
2700ADD1	Pump, DeLaval IMO-A3DB Type 250, 135 Gallons per Minute at 2537 RPM; 155 Gallons per Minute at 2870 RPM; and 170 Gallons per Minute, at 3080 RPM
AAA27076AX10	Minor Repair Kit, for IMO Pump Model 3DB-250
AAA27076AX11	Minor Repair Kit, for IMO Pump Model A3DB-250
AAA27076AX12	Minor Repair Kit, for IMO Pump Model G3DB(C)-250(P)



PART NO.	SIZE	DESCRIPTION
271BA5	1	Valve, Down, EECO Type DL-3. For replacement, refer to TIP 6.3.0-12.
271BA6	1-1/4	Valve, Down, EECO Type DL-3. For replacement, refer to TIP 6.3.0-12.

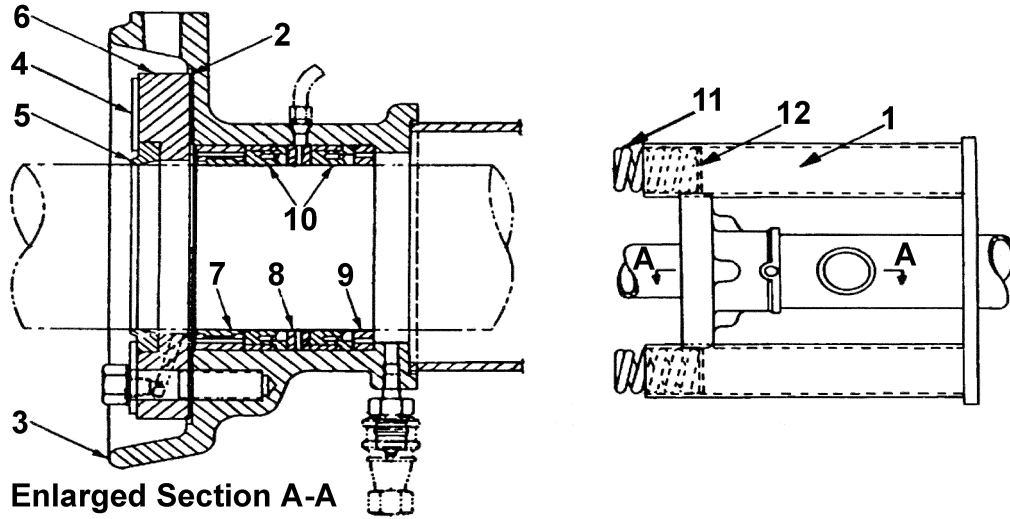
PART NO.	SIZE	DESCRIPTION
271BA1	1/4	Valve, Down-Leveling, EECO Type DL-3.
271BA2	3/8	Valve, Down-Leveling, EECO Type DL-3.
271BA3	1/2	Valve, Down-Leveling, EECO Type DL-3. For replacement, refer to TIP 6.3.0-12.

Belts, Bushings, and Sheaves for 17BA Pumping Unit
 60 Hz Motor
 Form O-352H and R352H1

PUMP RPM	BELT V WOODS P/N	MOTOR HP	MOTOR SHEAVE	MOTOR BUSHING	PUMP SHEAVE	PUMP BUSHING
2220	5V530 717A11	25	265BM36	321DE13	265BM29	321DE12
	5V530 717A11	30	265BM36	321DE14	265BM29	321DE12
2340	3V500 717A7	20	265BM34	321DE10	265BM18	321DE9
		25	265BM35	321DE10	265BM19	321DE9
		30	265BM35	321DE11	265BM19	321DE9
2537	5V560 717A12	25	265BM38	321DE13	265BM29	321DE12
2537	5V560 717A12	30, 40	265BM38	321DE14	265BM29	321DE12
2870	3V560 717A8	25	265BM41	321DE10	265BM20	321DE7
		30	265BM42	321DE11	265BM21	321DE9
		40	265BM43	321DE11	265BM22	321DE9
3080	5V600 717A10	30	265BM46	321DE17	265BM29	321DE12
		40	265BM13	321DE17	265BM30	321DE12

Cylinder Head Packing & Buffer Data

C-1078



Material List 2223G and 1-2223G
Drawings A6942AA, 1-A6942Y, C6942Y
Order From O-351C, R-351C

		Ref. 1	Ref. 2	8, 9, 10	Ref. 3	Ref. 4	Ref. 5	Ref. 6	Ref. 7	Ref. 8	Ref. 9	Ref. 10	Ref. 11	Ref. 12
Cylinder Size Pipe ID	Plunger Size Nominal OD	Block 2 Req.	Gasket 1 Req.	Packing	Cylinder Head 1 Req.	Clamp Wiper 1 Req.	Wiper Ring 1 Req.	Clamp Ring 1 Req.	Wear Ring 1 Req.	Jack Pack Lantern Ring 1 Req.	Space Ring 1 Req.	Seal Jack Pack 2 Req.	Spring ** Req.	Washer ** Req.
5"	4"	310C11 310C12*	376NG1	1-A6942Y5	A390AMI	172LK1	172LG1	172LL1	A172KN1	1-172KP1	2-172KP1	4-182R1	* 90KD8 90ND5	127VD14
6"	4.5"	310C11 310C12*	376NG2	1-A6942Y6	A390ANI	172LK2	172LG12	172LL2	A172KN2	1-172KP2	2-172KP2	4-182R2	* 90KD8 90ND5	127VD14
7"	4.5"	310C11 310C12*	376NG2	1-A6942Y6	A390ANI	172LK2	172LG2	172LL2	A172KN2	1-172KP2	2-172KP2	4-182R2	* 90KD8 90ND5	127VD14
8"	5.5"	310C13	376NG3	1-A6942Y7	A390API	172LK3	172LG3	172LL3	A172KN3	1-172KP3	2-172KP3	4-182R3	* 90ND5 90TD4	127VD15
8"	6.5"	310C14	376NG4	1-A6942Y8	A390ARI	172LK4	172LG4	172LL4	A172KN4	1-172KP4	2-172KP4	4-182R4	* 90TD4 90AL2	127XA10
10"	7.5"	310C15	376NG5	1-A6942Y10	A390ASI	172LK5	172LG5	172LL5	A172KN5	1-172KP5	2-172KP16	4-182R5	* 90AL2 90ZD3	127VE8
10"	8.5"	310C15	376NG6	1-A6942Y17	A390ATI	172LK6	172LG6	172LL6	A172KN6	1-172KP6	2-172KP17	4-182R6	* 90AL2 90ZD3	127VE8
12"	9.5"	310C14	376NG7	1-A6942Y18	A390AVI	172LK7	172LG7	172LL7	A172KN7	1-172KP7	2-172KP18	4-182R7	* 90TD4 90AL2	127XA10
12"	10.5"	310C15	376NG8	1-A6942Y19	A390AWI	182LK8	172LG8	182LL8	A172KN8	1-172KP8	2-172KP19	4-182R8	* 90AL2 90ZD3	127VE8
16" (OD)	12.5"	310C15	376NG9	1-A6942Y20	A390AXI	182LK9	172LG9	182LL9	A172KN9	1-172KP9	2-172KP20	4-182R9	90ZD3	127VE8

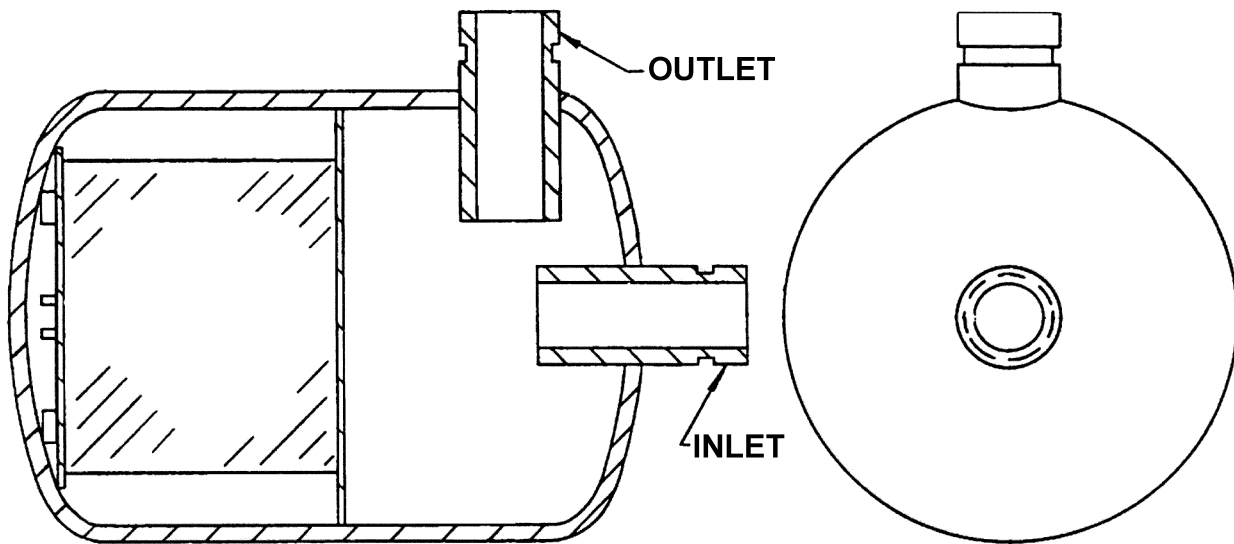
NOTE: For cylinder head packing replacement parts, see **SPL 03-6942Y**.

* Part to be used is determined by the gross load. For replacement, give elevator sales number.

** Quantity variable.

C-1078

Hydraulic Muffler



PART NO.	OD	LENGTH	PIPE SIZE	DESCRIPTION
A441AM3	12.75"	17"	2.5"	Muffler, Hydraulic
B441AM3	10.75"	17"	2.5"	Muffler, Hydraulic