

MAIN DRIVE SHAFT, WEDGE BRAKE & COUNTERSHAFT  
 FOR  
 TYPE 32-J, 44-J, 48-J ESCALATORS & ESCALAIRES  
 (SEE C-1099 FOR TYPICAL ARR. AND PARTS LEAFLET INDEX OF UNIT ASSEMBLIES)

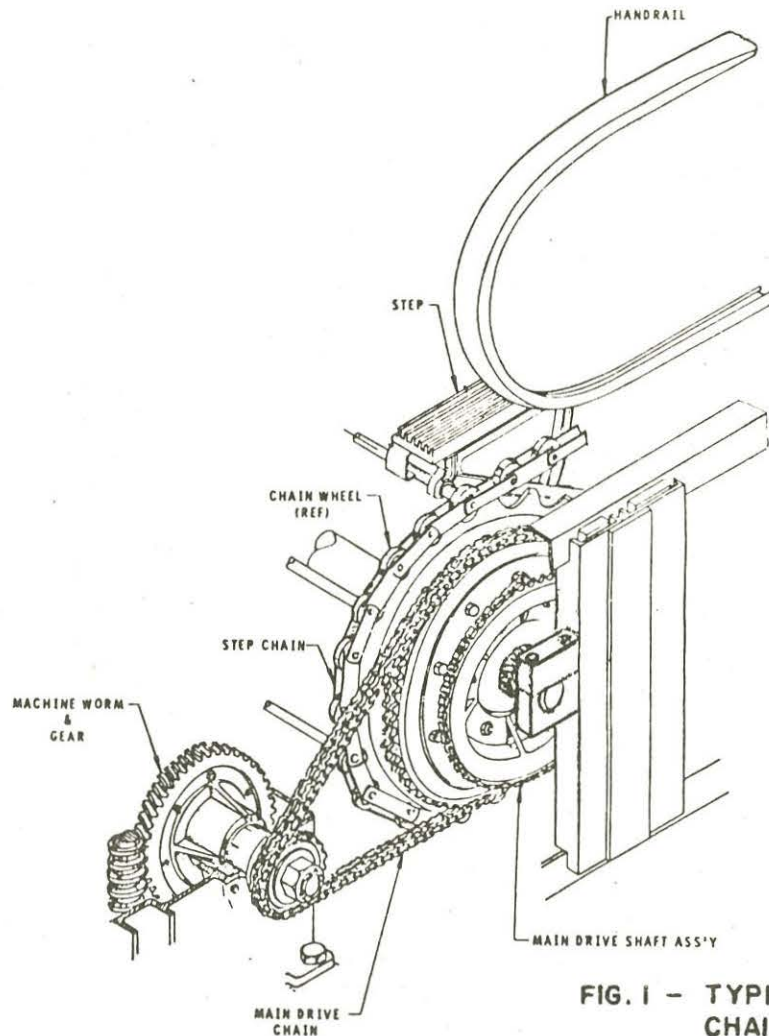


FIG. 1 - TYPICAL ESCALAIRES  
 CHAIN DRIVE ILLUSTRATED

PARTS LEAFLET C-1101

NOVEMBER 1, 1975

OTIS ELEVATOR COMPANY

OFFICES IN ALL OF THE **Otis** PRINCIPAL CITIES WORLD

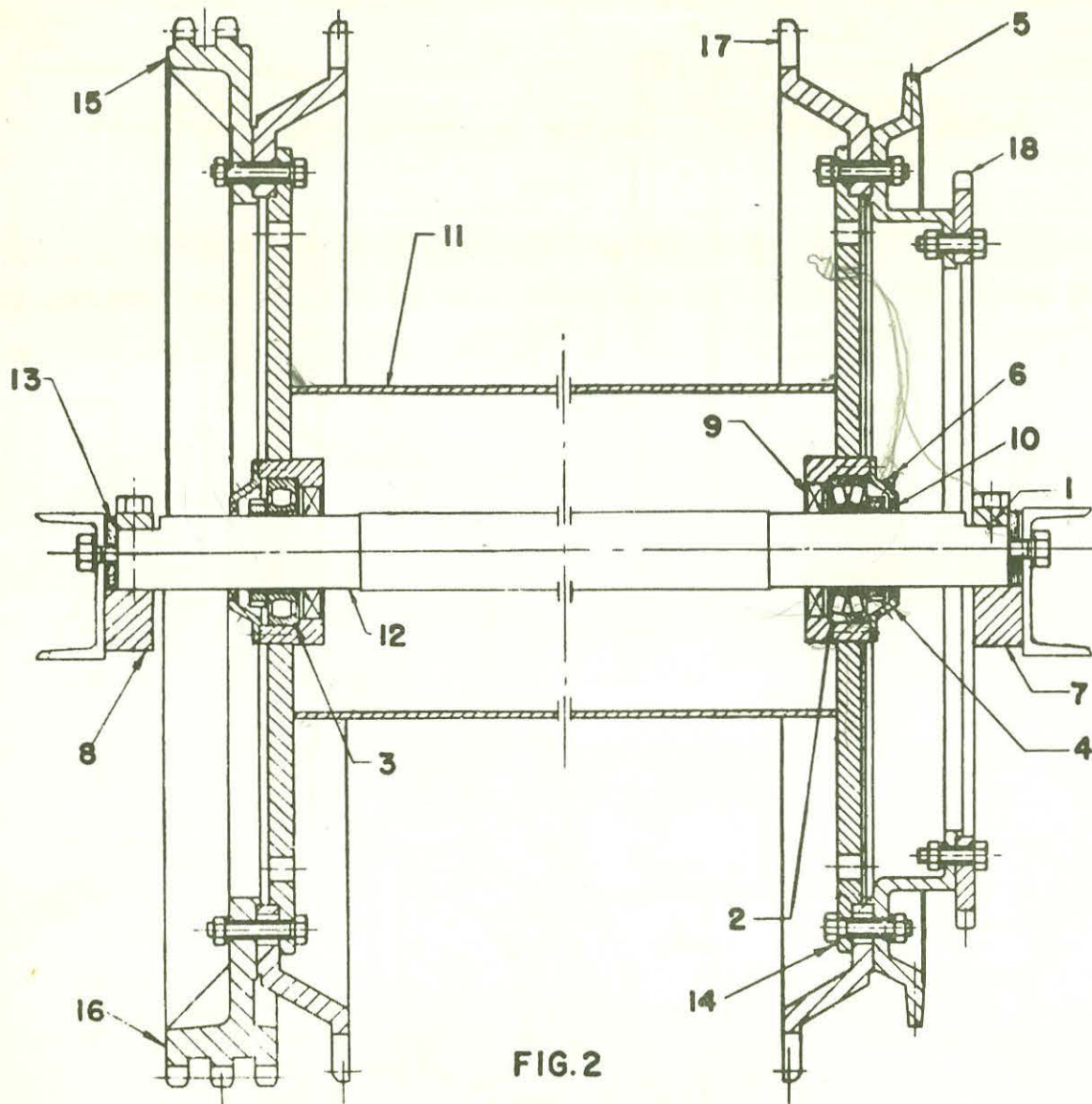
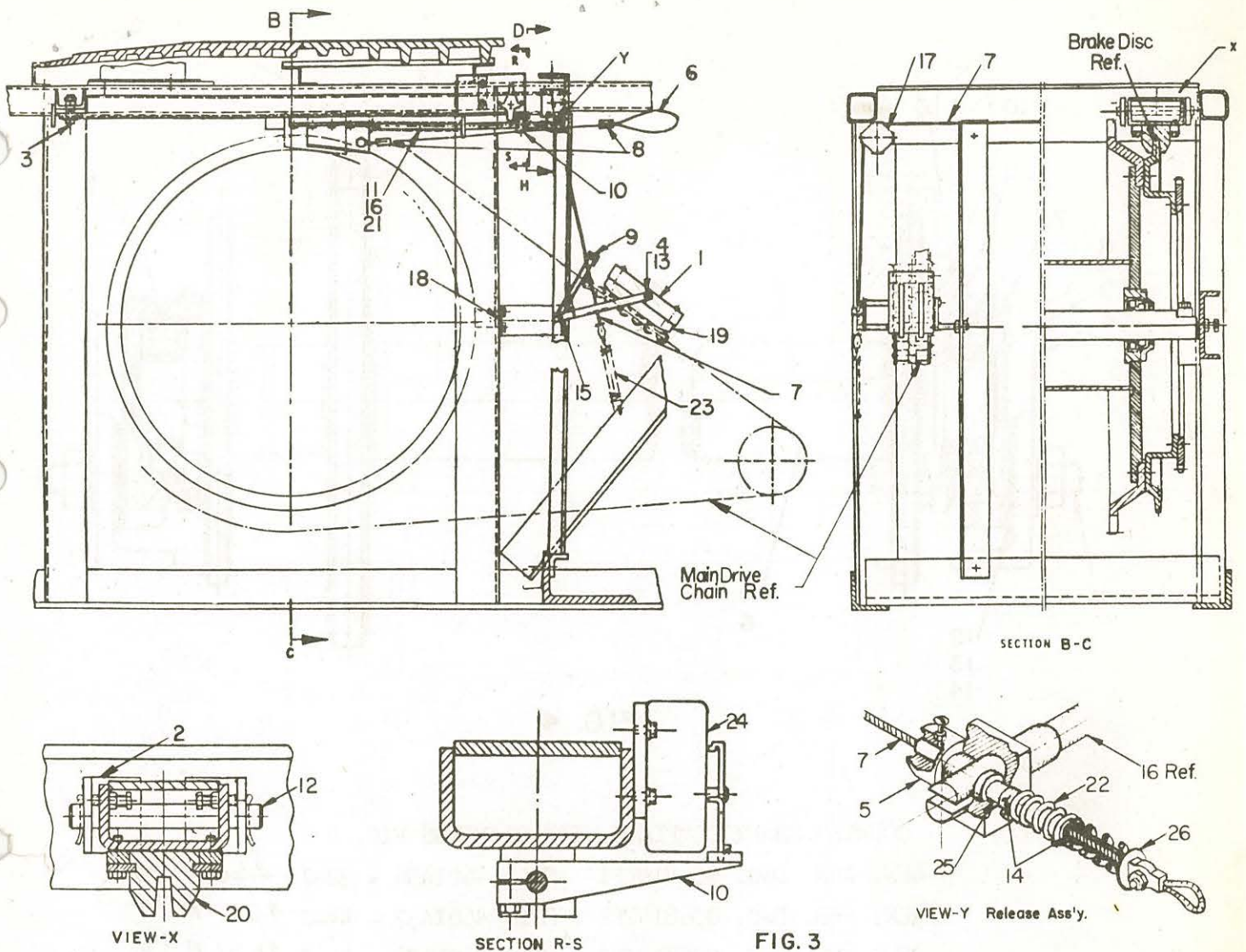


FIG. 2

PARTS FOR MAIN DRIVE SHAFT - FIG. 2  
 M.L. 4601A52, 53, 54, 55, 56 M.L. YXGOA6814CH4  
 DWG. YXGOA6814CH4 SHIPPING UNIT NO. 1-1  
 A7115HR

REF. PART NO. NO.	QUAN TITY	DESCRIPTION
1	2	BAR
2	1	BEARING, SPHERICAL
3	1	BEARING, BARREL
4	2	COVER
5	1	DISC BRAKE
6	2	FITTING, LUB.
7	1	FRAME
8	1	FRAME
9	2	SEAL (Vp863200) osc
10	2	SEAL
11	1	SHAFT, MAIN DR. ASSY. (32J)
11	1	SHAFT, MAIN DR. ASSY. (44J)
11	1	SHAFT, MAIN DR. ASSY. (48J)
12	1	SHAFT (32J)

REF. PART NO. NO.	QUAN TITY	DESCRIPTION
12	1	SHAFT (44J)
12	1	SHAFT (48J)
13	12	SHIMS
13	6	SHIMS
14	4	SHIMS
14	2	SHIMS
14	2	SHIMS
15	1	SPROCKET, MAIN DR. DOUBLE TOOTH, 85T, 1.25 PITCH
16	1	SPROCKET, MAIN DR. TRIPLE TOOTH, 85T, 1.25 PITCH
17	2	SPROCKET, STEP CHAIN, 20T, 3/4" PITCH
18	1	SPROCKET, HANDRAIL DR. 75T, 1" PITCH



PARTS FOR BRAKE (WEDGE) MAIN DRIVE FIG. 3  
 M.L. 4601A57 DWG. YYG06814CV, 7115FS, 7115FH  
 SHIPPING UNIT NO. 1

REF. NO.	PART NO.	QUAN TITY	DESCRIPTION	REF. NO.	PART NO.	QUAN TITY	DESCRIPTION
1	G0299CX1	1	BAR	13	YXG0377CP1	1	PIPE
2	G0299PT1	2	BAR	14	G0377CX1	1	PIPE
3	G096AV1	1	BOLT	15	G096AY1	1	ROD
4	YXG096AX1	1	BOLT	16	YX G098Y1	1	ROD, BRAKE-
5	G0465AL1	1	BUSHING	17	265BD6	1	SHEAVE ASS'Y
6	174AS29	1	CABLE, RESET	18	G0255BR43	2	SHIM
7	174AS30	1	CABLE, RELEASING	19	GX237AW1	1	SHOE
8	336GG1	4	CLAMP, ROPE	20	G0415B1	1	SHOE, BRAKE
9	338AML	1	FORK	21	G090T1	1	SPRING
10	YXG0327BML	1	LEVER, SWITCH	22	G090AS1	1	SPRING
11	YYG0333FG1	1	LEVER, BRAKE ASS'Y	23	G091D1	1	SPRING
12	-	1	PIN, DIN 1433 20x150x165	24	6098D1	1	SWITCH
				25	G0377CN1	1	TUBE
				26	130R10	1	WASHER, SPRING SEAT

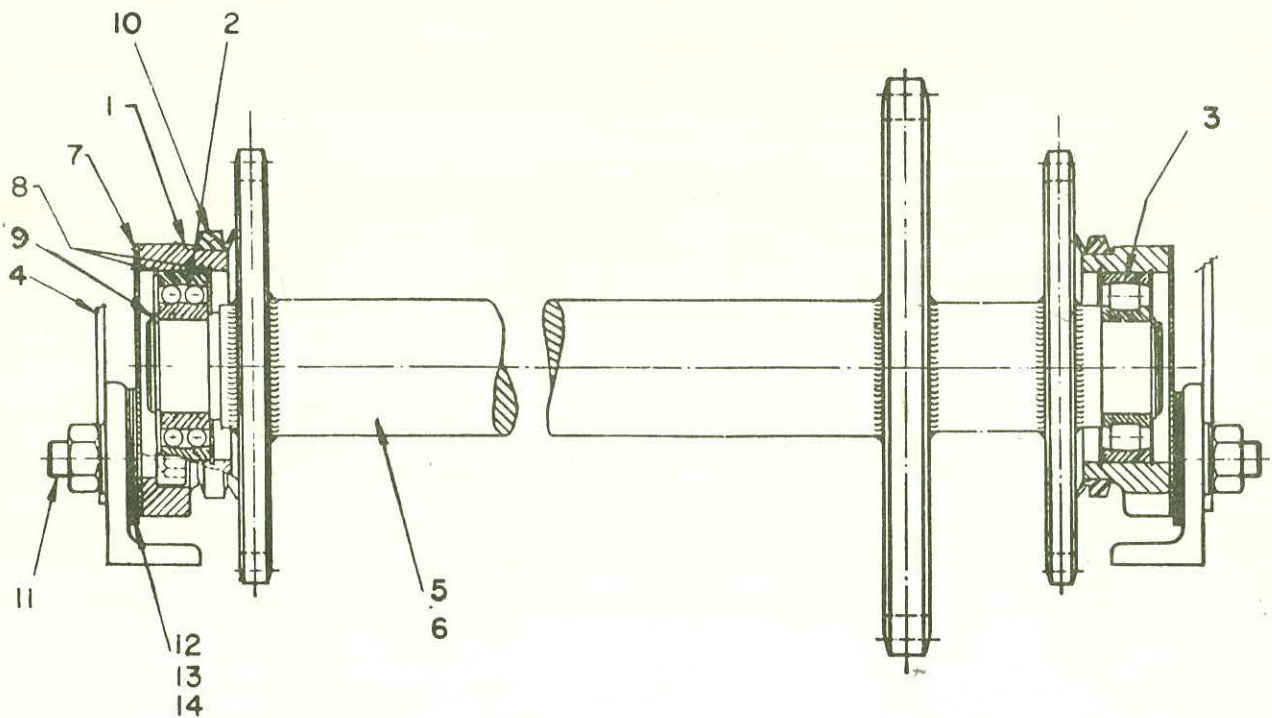


FIG. 4

COUNTER SHAFT COMPLETE WITH BEARINGS FIG. 4

GEN. ARR. DWG. GO6814TF1 M.L. 4601A36 - 32-J 4601A93-4601A108  
 GEN. ARR. DWG. GO6814TF2 M.L. 4601A37 - 44-J 4601A94-4601A109  
 GEN. ARR. DWG. GO6814TF3 M.L. 4601A38 - 48-J 4601A95-4601A110

SHIPPING UNIT. 1

NEW PARTS

JSM 8/21/77 J.R.

PRINTED IN U.S.A.

REF. NO.	PART NO.	QUANTITY	DESCRIPTION
1	GOA396AF1	2	BEARING HOUSING
2	209AK1 (1206 DIN630)	1	BEARING, BALL SELF ALIGNING
3	209AL1 (20206 DIN635)	1	BEARING, ROLLER
4	GO298JB1	2	BRACKET
5	GO494CD1	1	COUNTER SHAFT, ONLY, 32-J
5	GO494CD2	1	COUNTER SHAFT, ONLY, 44-J
5	GO494CD3	1	COUNTER SHAFT, ONLY, 48-J
6	4601A36	1	COUNTER SHAFT, COMPLETE, 32-J
6	4601A37	1	COUNTER SHAFT, COMPLETE, 44-J
6	4601A38	1	COUNTER SHAFT, COMPLETE, 48-J
7	GO273DJ1	2	COVER
8	172PM1	4	RING, RETAINING -DIN 472
9	172PN3	2	RING, RETAINING -DIN 471
10	V-75	2	RING JOINT, (SEAL) (osc)
11	DIN7984 M12x35	4	SCREW, HEX. SOCK. HD.
12	GO255BP3	4	SHIM
13	GO255BP4	4	SHIM
14	GO255BP5	4	SHIM

Do Not Furnish (No Spacers)

Pendulum Bannell