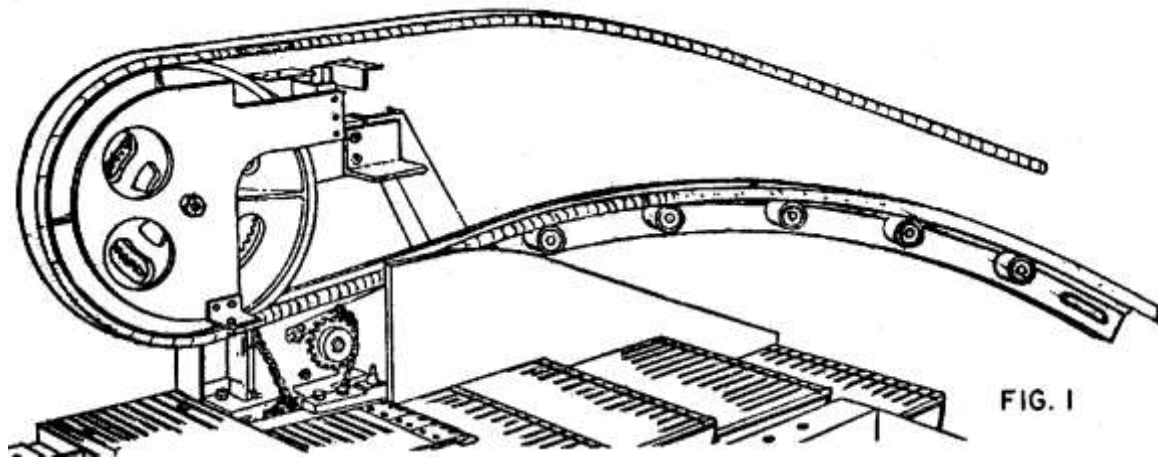


**"J" Escalator
(Opaque Balustrade)
Handrail Drive & Guide
Mechanisms**

**Spare Parts Leaflet
C-1103**

March 20, 1013 / Page 1 of 11



Unpublished Work—©Otis Elevator Co.; 2013

OTIS

Safety First!

**SERVICE ENGINEERING
Otis Elevator Company
Bloomfield, Connecticut USA**

Leaflet Description

This leaflet provides information for J Escalator handrail drive and associated parts.

There are no vintage tags on these assemblies. This SPL shows the drawings and material lists (in parentheses) as reference only

Leaflet Revisions

Date Revised	Subject Matter Expert	Reason for Revision
November 15, 1975	---	
March 20, 2013	Tom Charney	Added parts for narrow (1 in. wide) handrail drive sheaves and updated p/ns to current substitutions.

Related Drawings

Drawing No.	Title	Drawing No.	Title

Related Documents

Document ID	Title

Subject Matter Expert

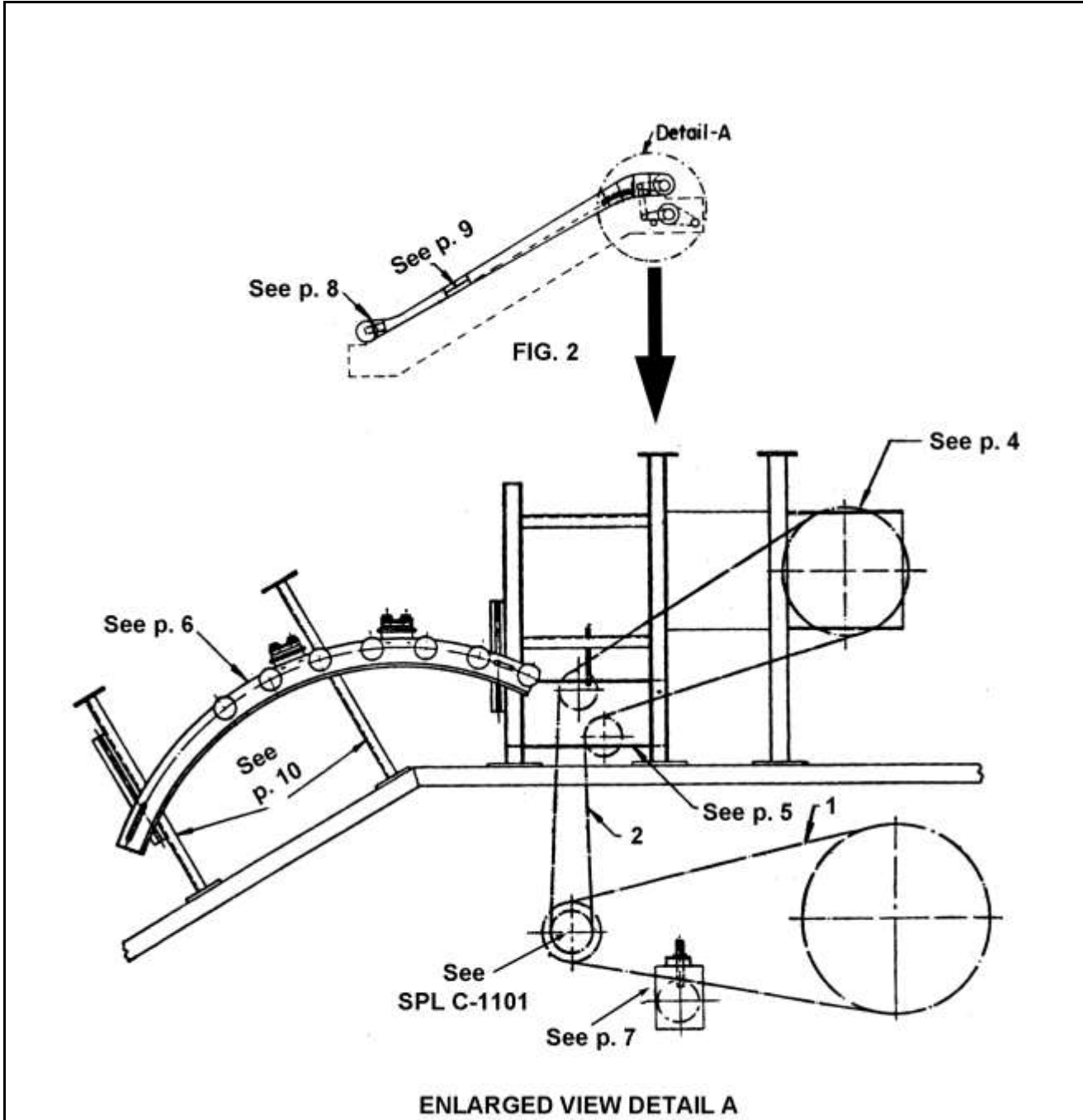
Name	Department
Tom Charney	OSC Service Engineering

About Spare Parts Leaflets...

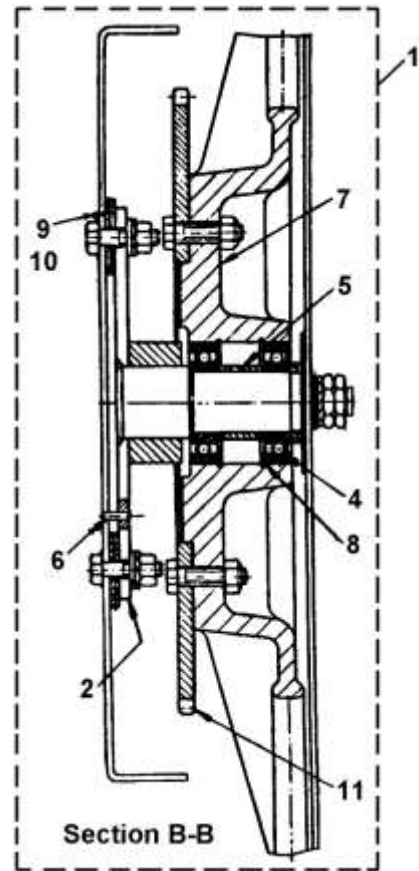
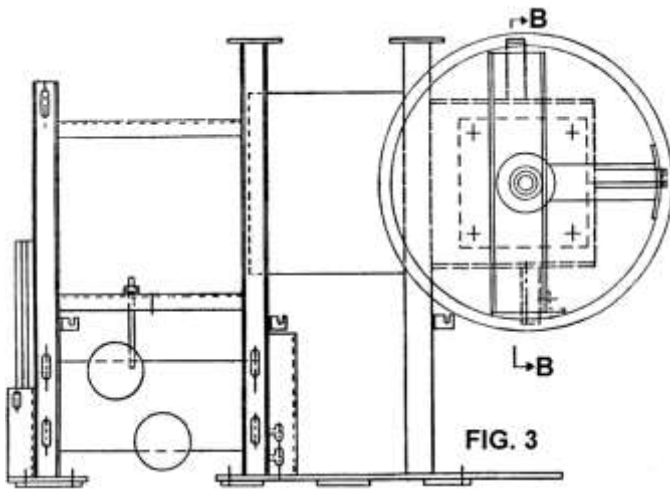
This document lists the lowest replaceable units (LRUs) for the standard version of the product. The LRUs are chosen by a team of Otis associates representing engineering and manufacturing.

While goal of this document is to make parts identification as easy as possible, the document cannot be all-inclusive. Elevator and escalator contracts classified as "special" or "custom" are not addressed here. For such contracts, please refer to specified information, the contract folder, TIPs, Field Education Articles, Construction Letters, etc. for further information.

If you have any suggestions about this document, please contact the subject matter expert listed on this page.



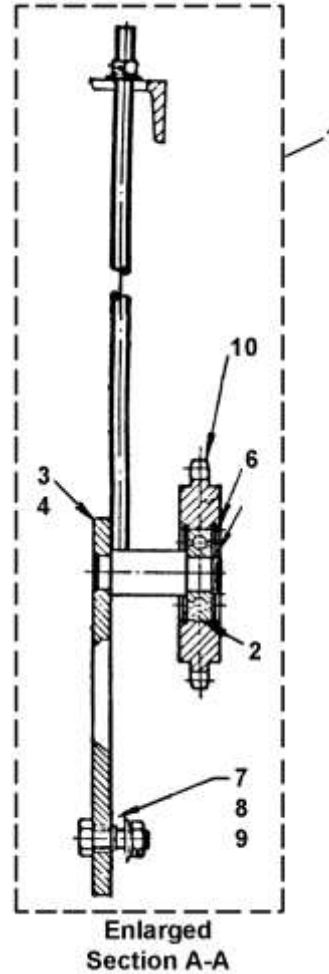
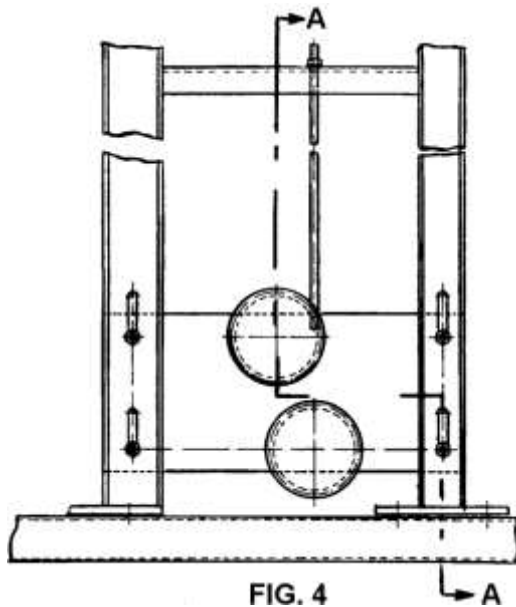
	W/O VINTAGE	
REF. No.	PART No.	DESCRIPTION
1	332AW21	Chain, Countershaft Drive
2	332AW19	Chain, Handrail Drive

C-1103**Upper Newel Stand**

W/O VINTAGE (7115FG, 4605A6)			
REF. No.	PART No.		DESCRIPTION
	Rim Width = 1.38"	Rim Width = 1"	
1	4605A6 GO6814CY1	4605A31	Assembly, Complete
2	GO386VA1		Assembly, Plate Support
3	4605A5 4605A25	4605A24	Assembly, Sheave & Sprocket Only
4	207Z49 207Z68		Bearing, Ball
5	GO462AF1		Bushing, Distance
6	DIN7 8M6x24		Pin, Dowel
7	GOA265A2 GOA265A4	YXGOA265A4	Sheave, Handrail Drive
8	172PM3		Ring, Retaining
9	GO255BP53		Shim, 1 mm Thick
10	GO255BP54		Shim, 0.5 mm Thick
11	YYGO195BL1		Sprocket

Handrail Drive Chain

C-1103



REF. No.	W/O VINTAGE (YY9701AB)		DESCRIPTION
	PART No.		
	1 Flat Step	2 Flat Steps	
1	4605AZ YX9701AB1	YX9701AB3	Assembly, Complete, As Shown
	4605A8 YX9701AB2	YX9701AB4	Assembly, Complete, Opposite
2	207Z70		Bearing, Ball
3	GO386APD1 YYGO386APD1	YYGO386APD3	Plate, Tension, As Shown
4	GO386APD2 YYGO386APD2	YYGO386APD4	Plate, Tension, Opposite
5	172PN5 172PM9		Ring, Retaining, External. For shaft.
6	172PM2		Ring, Retaining, Internal. For sprocket.
7	GO127AK1		Shim, 0.5 mm Thick
8	GO127AK2		Shim, 0.75 mm Thick
9	GO127AK3		Shim, 1 mm Thick
10	YYGOA195BF1 YXGOA195BF1		Sprocket

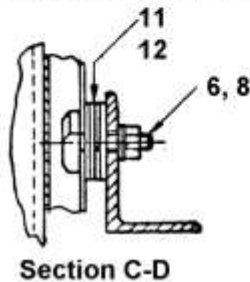
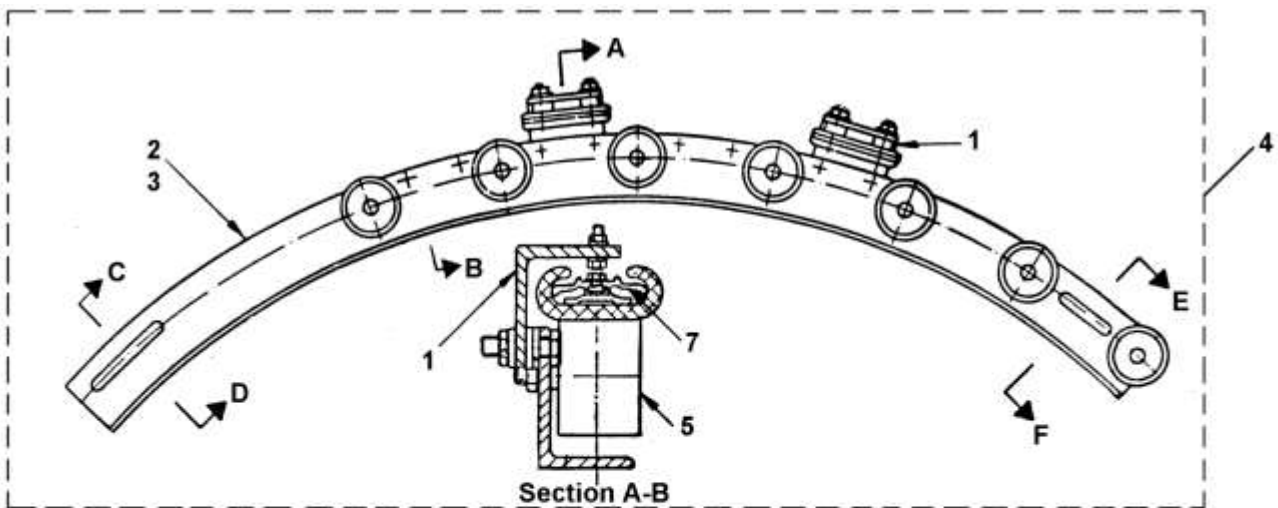
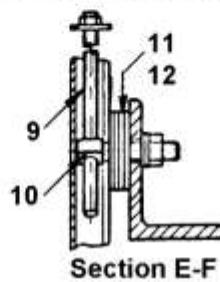
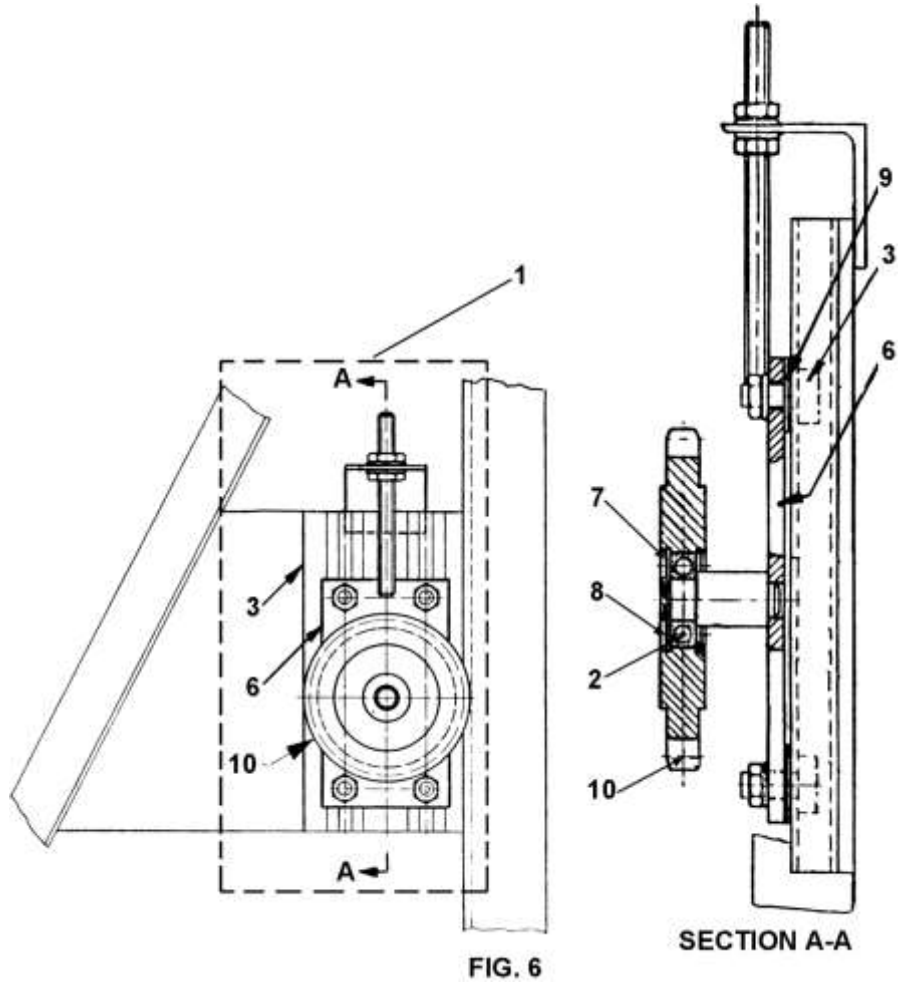


FIG. 5



**W/O VINTAGE
(YY9701BS
YXGO6814GE)**

REF. No.	PART No.	DESCRIPTION
1	GO272AVY1	Angle
2	YYGO272AYD1	Angle, Tension Roller Bow / As Shown
3	YYGO272AYD2	Angle, Tension Roller Bow / Opposite
4	4606A1	Assembly, Complete, As Shown (Left Hand)
	4606A2	Assembly, Complete, Opposite (Right Hand)
5	456AT10 GO2215AB7	Assembly, Roller
6	GO63T4 GO65BT3	Bolt, T-Head, M12x80
7	GO402AAA1 GO2215AB8	Guide
8	GAA72BS6	Nut, M12, w/Captive Washer
9	GO96D7	Rod
10	GO380AB1 YXGO380AB1	Slider, (Sq. Head T-Bolt)
11	GO127F6	Washer, M13, Thick
12	GO127AH500	Washer, M13, Fender



W/O VINTAGE (9701CY)		
REF. No.	PART No.	DESCRIPTION
1	4601A44 4601A85	Assembly, Complete, Right Hand Only
2	207Z67	Bearing Ball
3	GO56AK1	Bolt T - Head, M8x30
4	52126	Nut, M8, w/Captive Washer
5	YXGO386AVV1	Plate, Assembly, w/T-Bolt Channels
6	YXGO386AKV1	Plate, Base Assembly, w/Shaft
7	172PM2	Ring, Retaining, Internal. For sprocket bore.
8	172PN2	Ring, Retaining, External. For shaft.
9	GO255EG7	Shim, 1 mm Thick
10	YXGOA195BG1	Sprocket, 19 Teeth

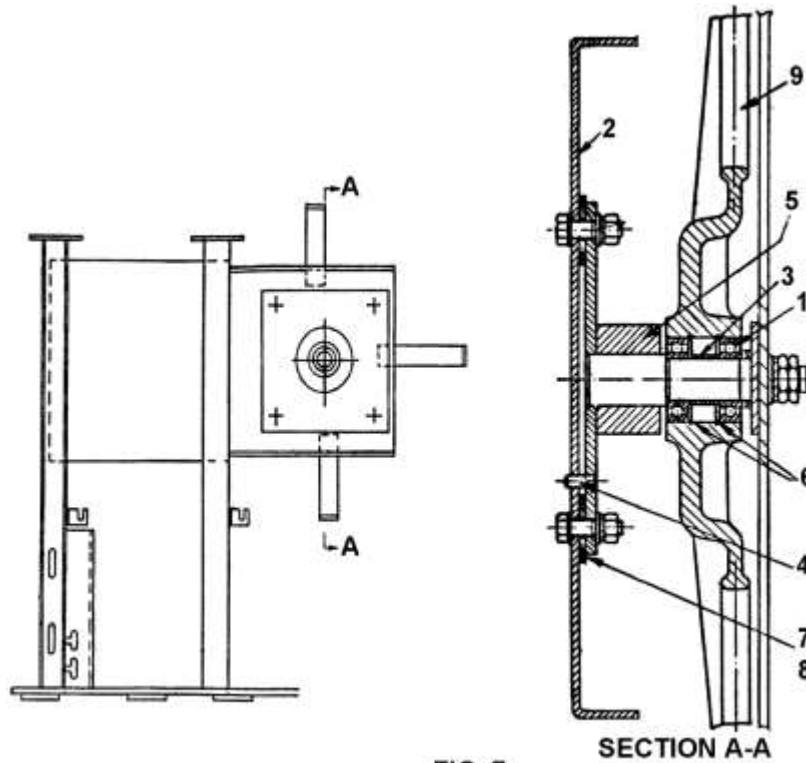
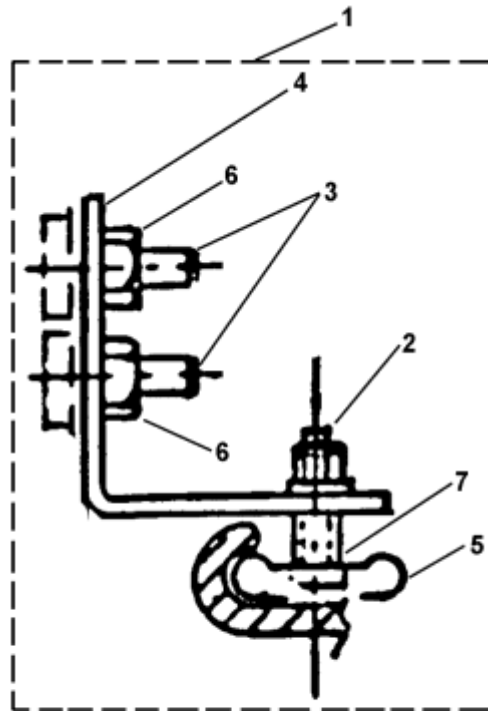


FIG. 7

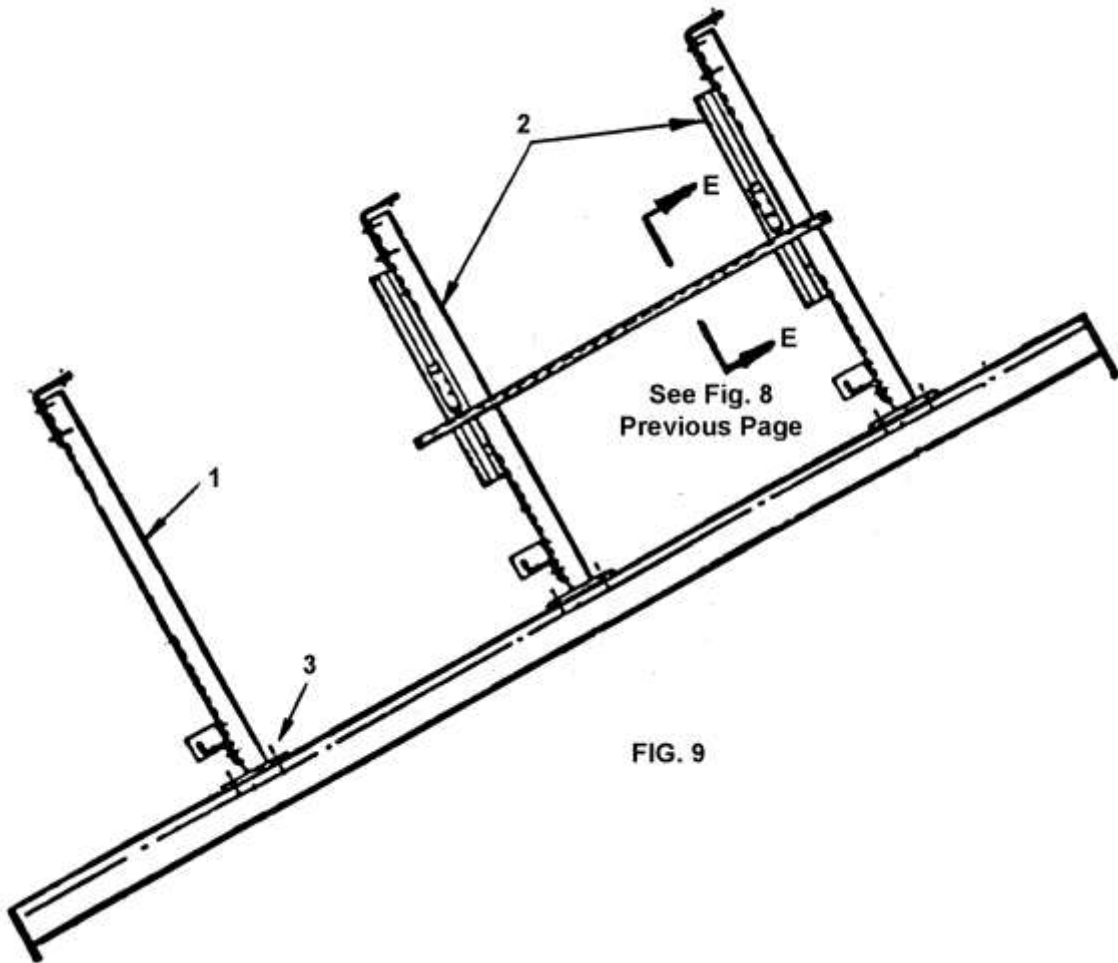
W/O VINTAGE (7115FD, 7115FF, 4604A9, 4604A10)			
REF. No.	PART No.		DESCRIPTION
	Rim Width = 1.38"	Rim Width = 1"	
1	207Z18		Bearing, Ball
2	4650A6		Bracket, Newel, As Shown, W/O Skirt Microswitch
	4650A16		Bracket, Newel, As Shown, With Skirt Microswitch
	4650A7		Bracket, Newel, Opp., W/O Skirt Microswitch
	4650A17		Bracket, Newel, Opp., With Skirt Microswitch.
3	GO462AE2		Bushing, Distance
4	DIN7 8M6x24		Pin
5	GO386VD4 GO386VA1		Plate, Support Hardware Wheel Assembly
6	172PM1		Ring, Retaining
7	GO255BP53		Shims, 1 mm Thick
8	GO255BP54		Shims, 0.5 mm Thick
9	GOA265C1	YXGOA265C1	Sheave, Handrail Deflector



SECTION E-E
(from next page)

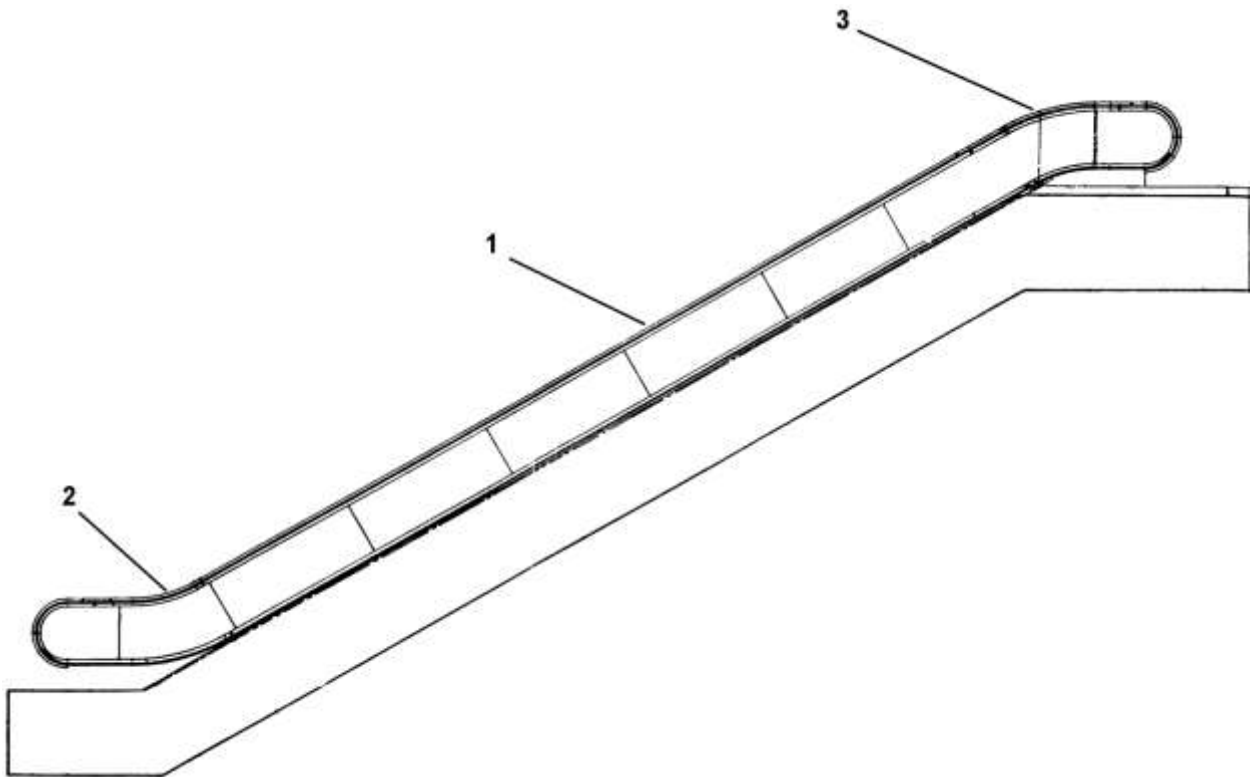
FIG. 8

W/O VINTAGE (YY9701AD, 7115FA)		
REF. No.	PART No.	DESCRIPTION
1	4611A1	Assembly, Complete
2	GO56AA5	Bolt Assembly, T-Head, M6 x 40, w/Washer Nut
3	GO63T3 GO65BT2	Bolt, T-Head, M12 x 50
4	YYGO298GD1	Bracket
5	GO402HX4	Guide Handrail
6	DIN934 M12	Nut
7	GO462AM2	Spacer



**W/O VINTAGE
(YX9701AD,
YX9701F,
YX9701R)**

REF. No.	PART No.	DESCRIPTION
1	YXGO316AYC1	Bracket, As Shown
	YXGO316AYC2	Bracket, Opposite
2	YXGO316AYC3	Bracket, As Shown
	YXGO316AYC4	Bracket, Opposite
3	4607A1	Mounting Parts, Balustrade Brackets



W/O VINTAGE		
REF. No.	PART No.	DESCRIPTION
1	50ADM-120	Guide, Handrail, Incline, Length = 120 in. (See Note)
	50ADM-96	Guide, Handrail, Incline, Length = 96 in. (See Note)
2	YXGO402AHW-MOD	Guide, Handrail, Lower Curve, Length = 98.4 in. (See Note)
3	YXGO402AHX-MOD	Guide, Handrail, Upper Curve, Length = 70.4 in. (See Note)

NOTE: Cut to suit locally, as required.