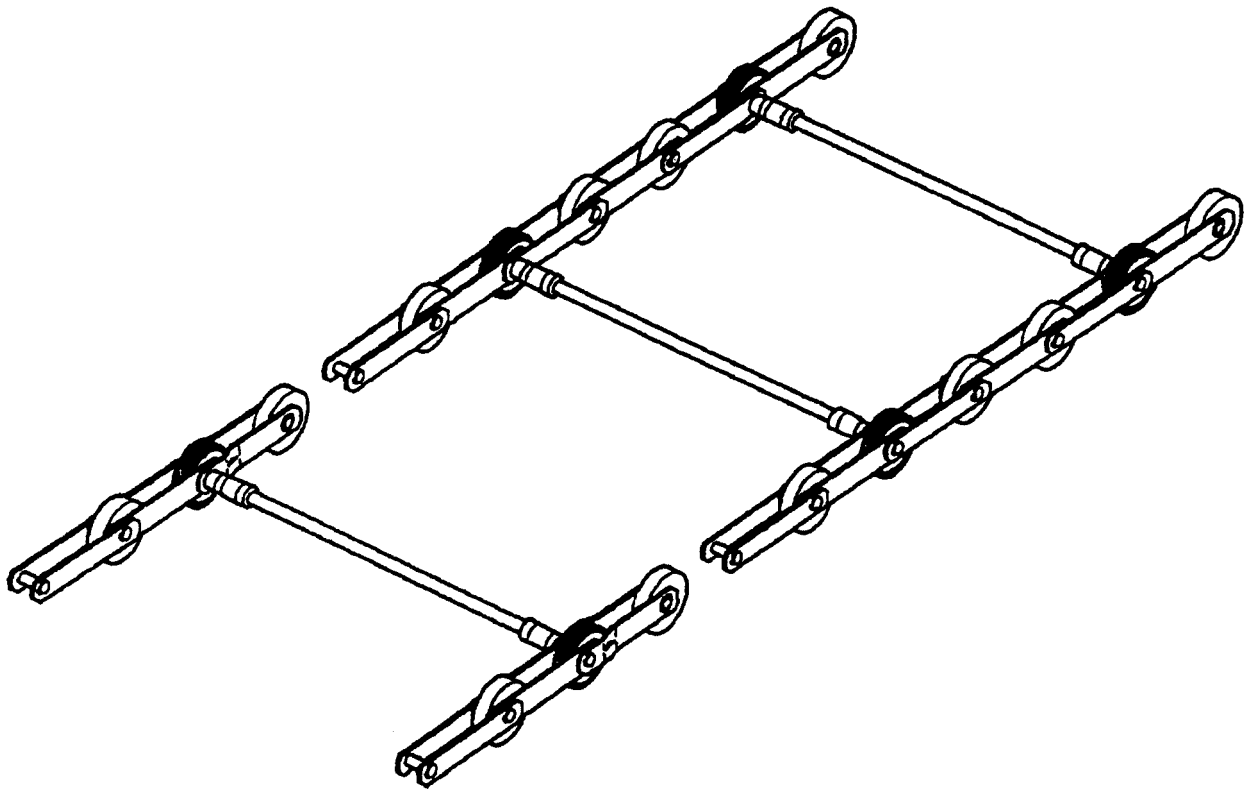


**Step Chain for “J”
Escalator and
Escal-Aire**

Spare Parts Leaflet

C-1105

January 19, 2006 / Page 1 of 4



For Steps, See SPL 53-AAA26140AAA

For Complete Step Chain Replacement, See SPL 54-9701DK

Unpublished Work—©Otis Elevator Co.; 2006

OTIS

Safety First!

SERVICE ENGINEERING

Otis Elevator Company

Bloomfield, Connecticut USA

Leaflet Description

This leaflet provides step chain spare parts information for type “J” escalators and Escal-Aires. This leaflet should be used for replacement parts for original equipment step chains only. For complete replacement of step chains, refer to SPL 54-9701DK, p. 5 (Type UB), and use same SPL for subsequent replacement parts. For steps, see SPL 53-AAA26140AAA.

Leaflet Revisions

Date Revised	Subject Matter Expert	Reason for Revision
December 15, 1975	- - -	Original Release
January 19, 2006	Tom Charney	Updated Information

Related Drawings

Drawing No.	Title	Drawing No.	Title

Related Documents

Document ID	Title
C-1099	Escalator “J” Index
C-1102	Escalator “J,” Tension Carriage
53-AAA26140AAA	Step 506—Slimline
54-9701DK	Escalator Stop Chain UB/HD-L

Subject Matter Expert

Name	Department
Tom Charney	OSC Service Engineering

About Spare Parts Leaflets...

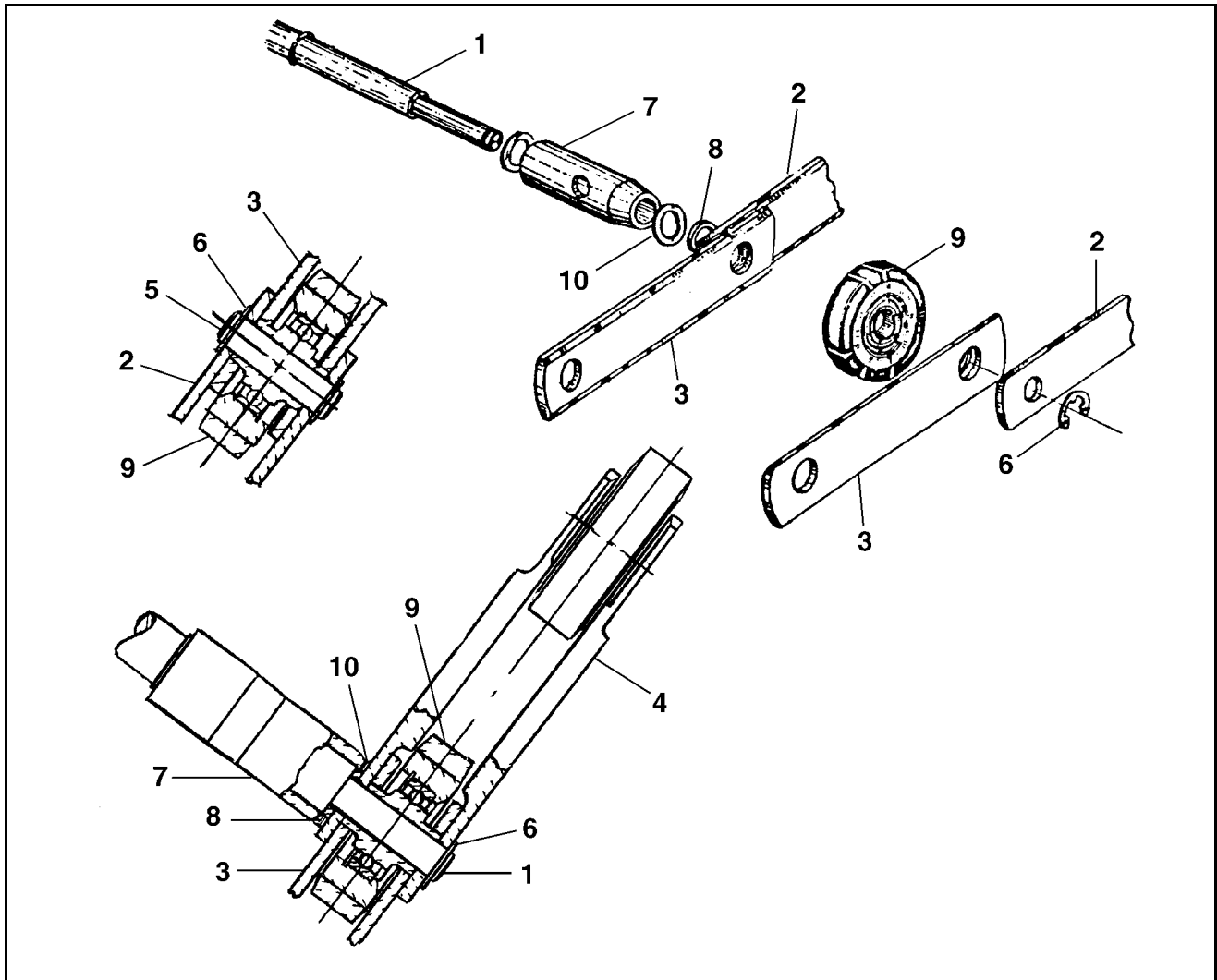
This document lists the lowest replaceable units (LRUs) for the standard version of the product. The LRUs are chosen by a team of Otis associates representing engineering and manufacturing.

While goal of this document is to make parts identification as easy as possible, the document cannot be all-inclusive. Elevator and escalator contracts classified as “special” or “custom” are not addressed here. For such contracts, please refer to specified information, the contract folder, TIPs, Field Education Articles, Construction Letters, etc. for further information.

If you have any suggestions about this document, please contact the subject matter expert listed on this page.

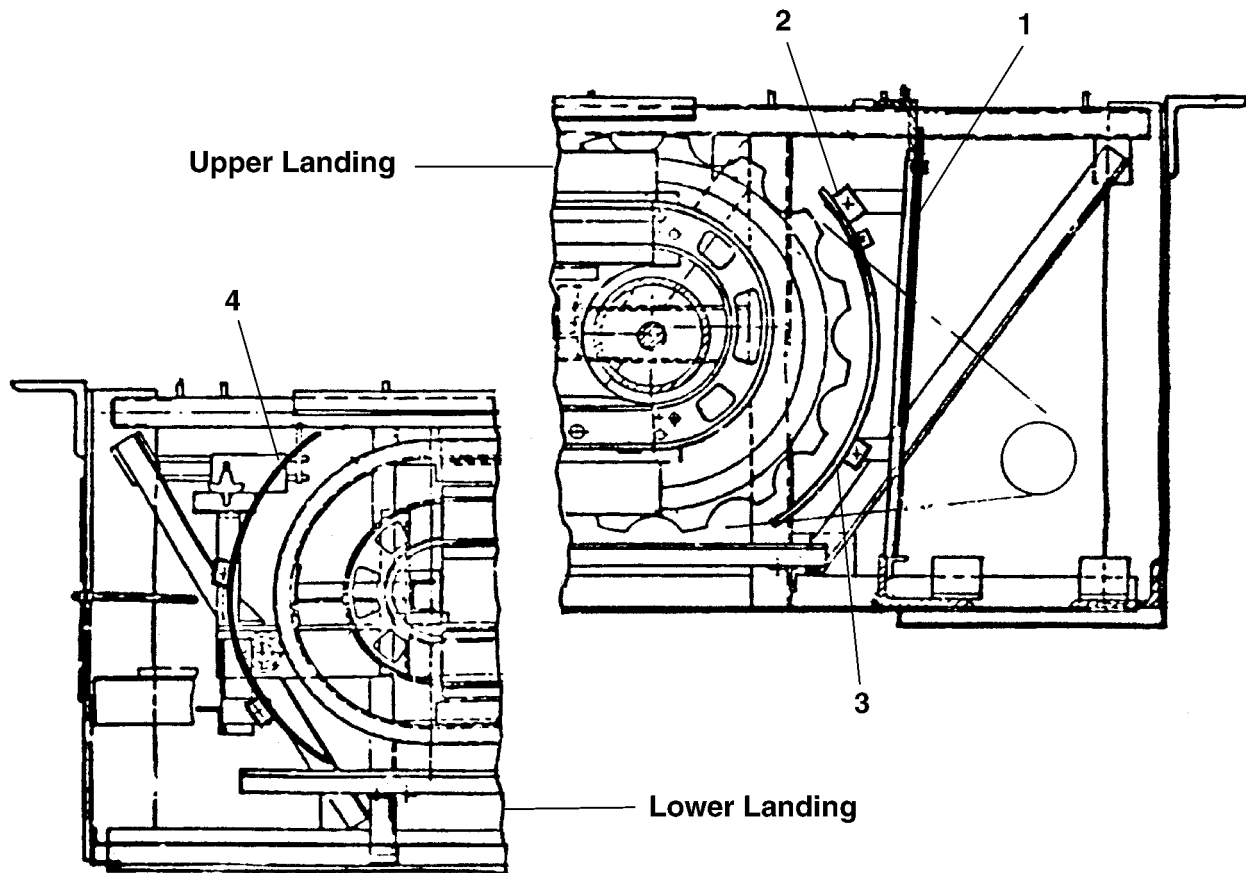
Step Chain




C-1105



REF. No.	PART No.	DESCRIPTION
1	502G1	Axle 32-J
	502G2	Axle 48-J
2	430AZ1	Link, Outer
3	430AZ2	Link, Inner
4	430BC1	Link, Offset
5	77GL1	Pin, Wheel Axle
6	172DR2	Ring, Retaining
7	210AL1	Sleeve
8	462BX1	Spacer
9	290BR2 GAA290CF1	Wheel, Rubber
10	255BV1	Shims

Step Chain Guard Parts



REF. No.	PART No.	DESCRIPTION
1	GOB384CB1	Cover, 32J Step Guard (flat plate)
	GOB384CB2	Cover, 44J Step Guard (flat plate)
	GOB384CB3	Cover, 48J Step Guard (flat plate)
2	4619A1	Guard, Fastenings (mounting parts)
3	GOA272ADX1	Guide,  Curved Step Chain Guard
	GOA272ADX2	Guide,  Curved Step Chain Guard
4	---	Guard, Chain Wheel,  SPL C-1102