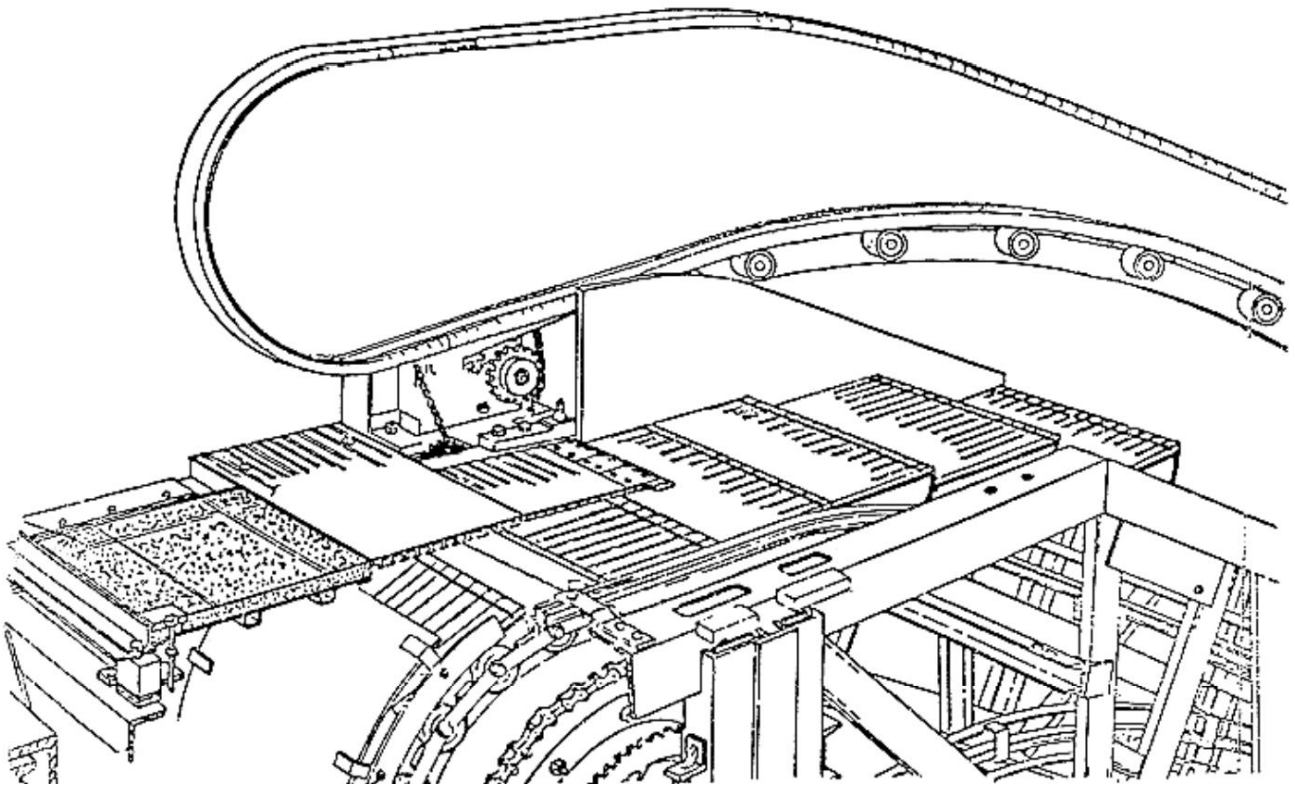


**Comb & Floor Plates, J
Escalator & Escal-Aire**

**Spare Parts Leaflet
C-1106**

November 23, 2022 / Page 1 of 9



OTIS

This document does not contain any
technical data subject to EAR or ITAR

**SERVICE ENGINEERING
Otis Elevator Company
Bloomfield, Connecticut USA**

Unpublished Work—© Otis Elevator Co.; 2022

Leaflet Description

This leaflet provides information for the upper and lower floor plates and combs for the “J” Escalator and Escal-aire models from approximately 1973 to 1986. Included are the spare parts, as well as some reference information for arrangements of the combs and floorplates.

Leaflet Revisions

Date Revised	Subject Matter Expert	Reason for Revision
December 17, 1975	-	New SPL
November 23, 2022	Jordan Thomas	Updated to current format and improved clarity

Related Drawings

Drawing No.	Title	Drawing No.	Title
9701CN	Lower Landing Assembly	YY9701CP	Comb and Floor Plates U.L.
9701CP	Upper Landing Assembly	YYGO457BE	Floorplate

Related Documents

Document ID	Title
C-1099	Index for “J” Series Reversible Escalator & Escal-aire
ML 4616A1...10	Lower Level Floor & Comb Plate
ML 4617A1...8	Upper Level Floor & Comb Plate

Subject Matter Expert

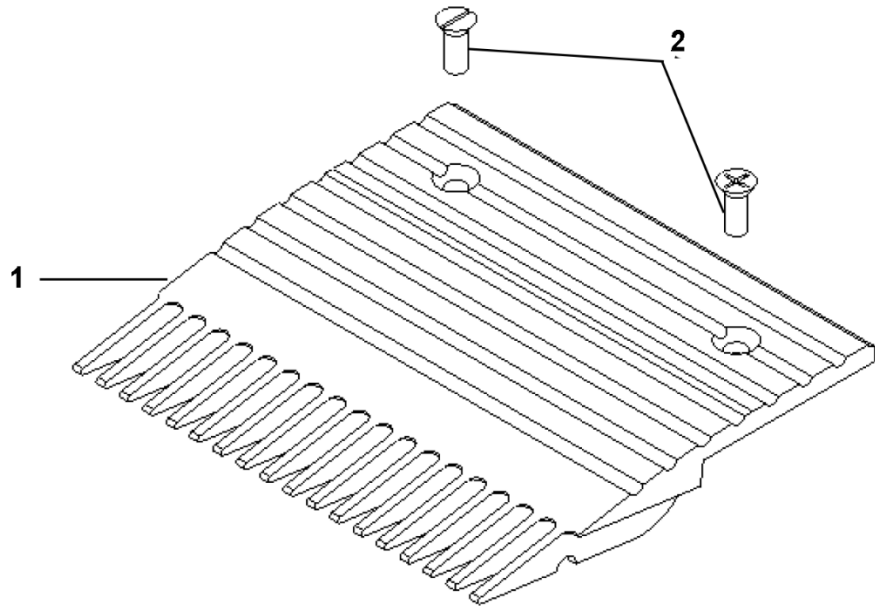
Name	Department
Jordan Thomas	OSC Service Engineering

About Spare Parts Leaflets...

This document lists the lowest replaceable units (LRUs) for the standard version of the product. The LRUs are chosen by a team of Otis associates representing engineering and manufacturing.

While goal of this document is to make parts identification as easy as possible, the document cannot be all-inclusive. Elevator and escalator contracts classified as “special” or “custom” are not addressed here. For such contracts, please refer to specified information, the contract folder, TIPs, Field Education Articles, Construction Letters, etc. for further information.

If you have any suggestions about this document, please contact the subject matter expert listed on this page.



Arrangement of combs

GOA453A...

32"	4	1	1	1
-----	---	---	---	---

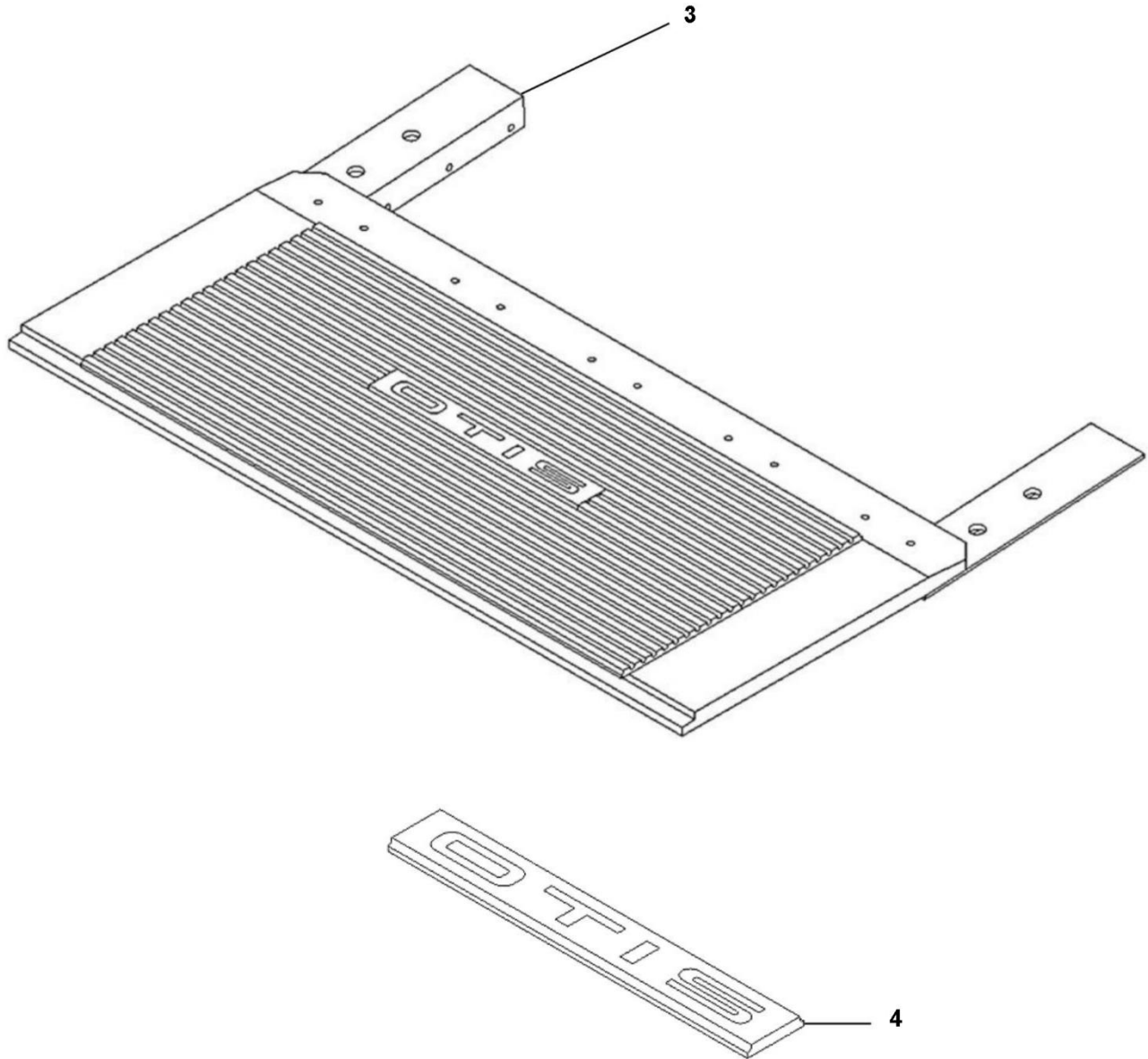
44"	4	1	1	1	1	1
-----	---	---	---	---	---	---

48"	4	1	6	9	5	1	1
-----	---	---	---	---	---	---	---

		VINTAGE	
REF. No.	PART No.	DESCRIPTION	
1	GOA453A1	Comb, L = 152.4 mm, 18 Teeth	
	GOA453A4	Comb, L = 145.9 mm, 17 Teeth	
	GOA453A5	Comb, L = 136.5 mm, 16 Teeth	
	GOA453A6	Comb, L = 142.8 mm, 17 Teeth	
	GOA453A9	Comb, L = 127.0 mm, 15 Teeth	
2	DIN965 M6X12	Screw, SS Philips Head	
	DIN963 M6X12	Screw, SS Flat Head	

C-1106

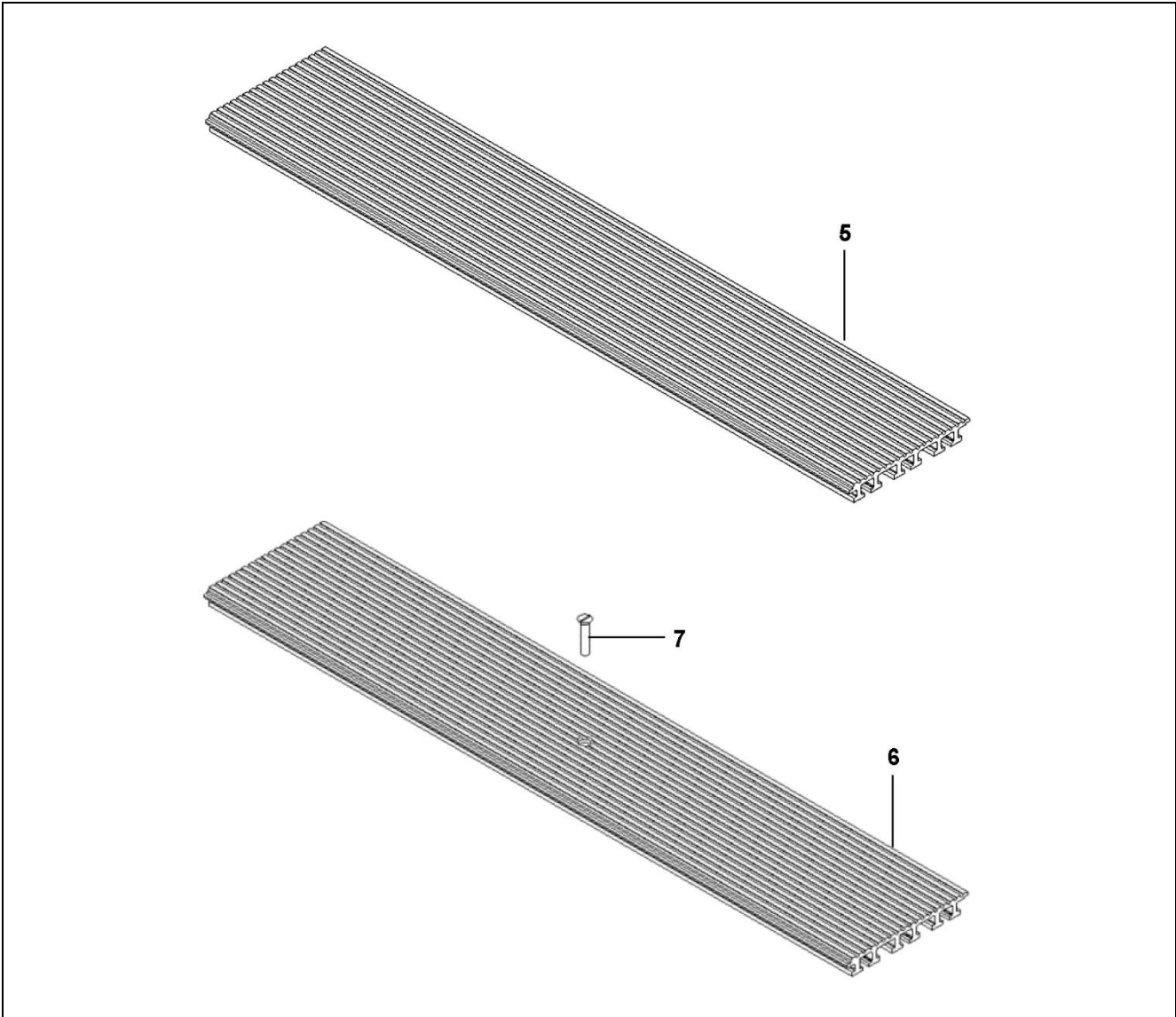
Comb Plate



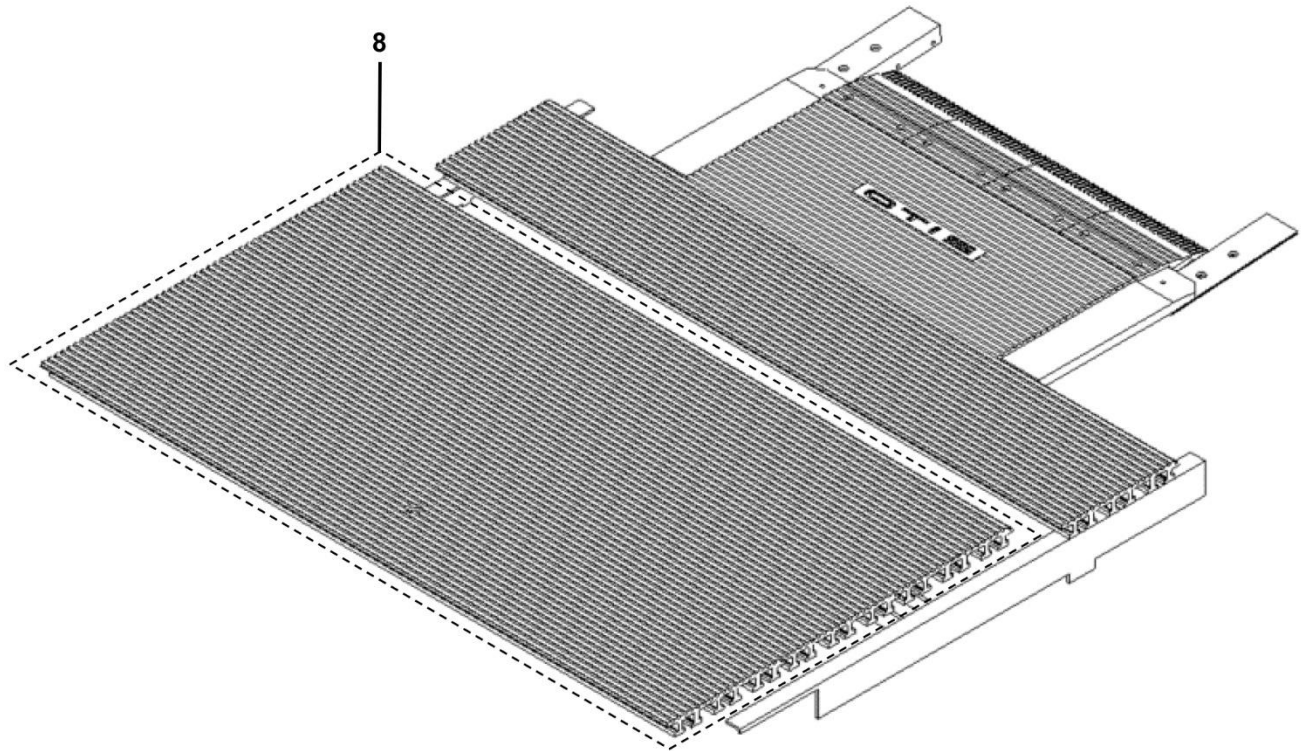
REF. No.	VINTAGE PART No.	DESCRIPTION
3	GO453C1	Combplate, 32 in.
	GO453C2	Combplate, 44 in.
	GO453C3	Combplate, 48 in.
4	GO102KJ1	Logo, Otis

Individual Floor Plates

C-1106



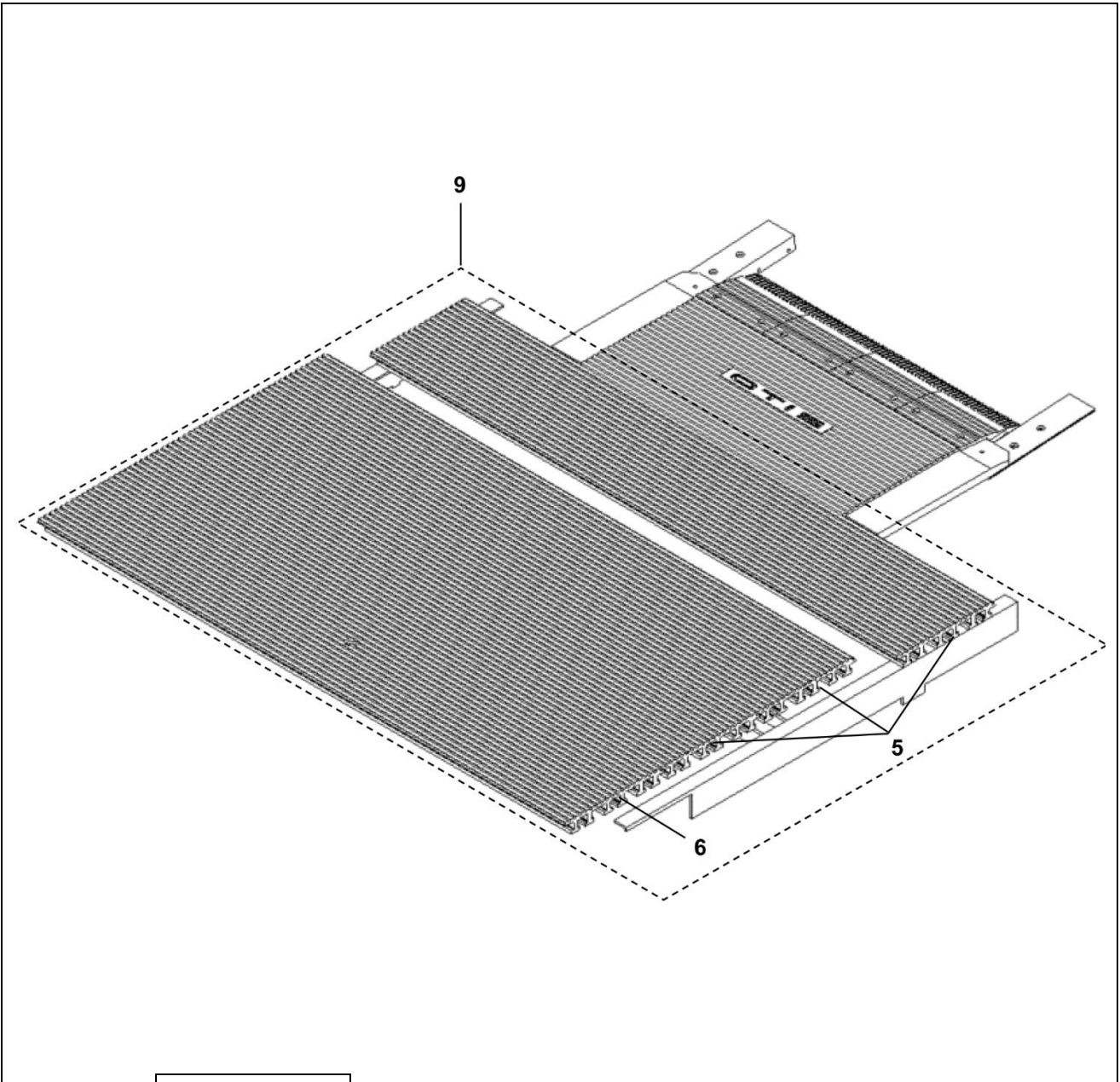
VINTAGE		
REF. No.	PART No.	DESCRIPTION
5	GO457BD1	Floorplate, 32 in., w/o Hole
	GO457BD3	Floorplate, 44 in., w/o Hole
	GO457BD5	Floorplate, 48 in., w/o Hole
6	GO457BD2	Floorplate, 32 in., w/ Hole
	GO457BD4	Floorplate, 44 in., w/ Hole
	GO457BD6	Floorplate, 48 in., w/ Hole
7	GOA112C1	Screw, Fillister Head
	DIN963 M12X50	Screw, SS Flat Head



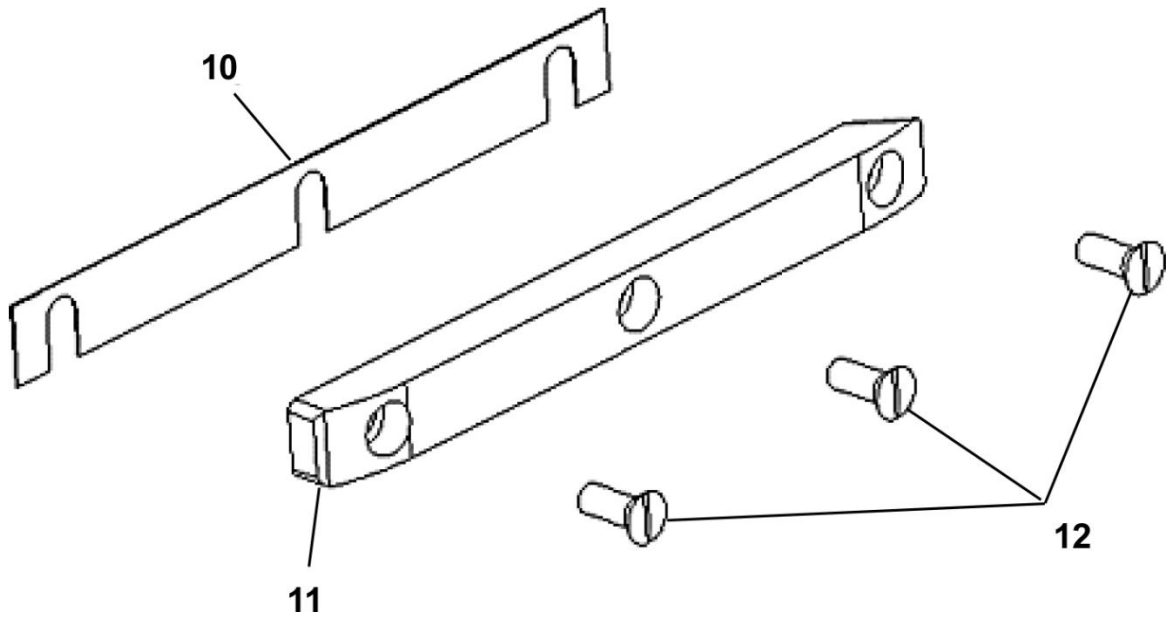
	VINTAGE	
REF. No.	PART No.	DESCRIPTION
8	GO457BX4	Assembly, Floorplate, Lower Landing, Removable, 32 in.
	GO457BX5	Assembly, Floorplate, Lower Landing, Removable, 44 in.
	GO457BX6	Assembly, Floorplate, Lower Landing, Removable, 48 in.
	GO457BX10	Assembly, Floorplate, Upper Landing Removable, 32 in.
	GO457BX11	Assembly, Floorplate, Upper Landing Removable, 44 in.
	GO457BX12	Assembly, Floorplate, Upper Landing Removable, 48 in.

Floor Plate Assembly

C-1106



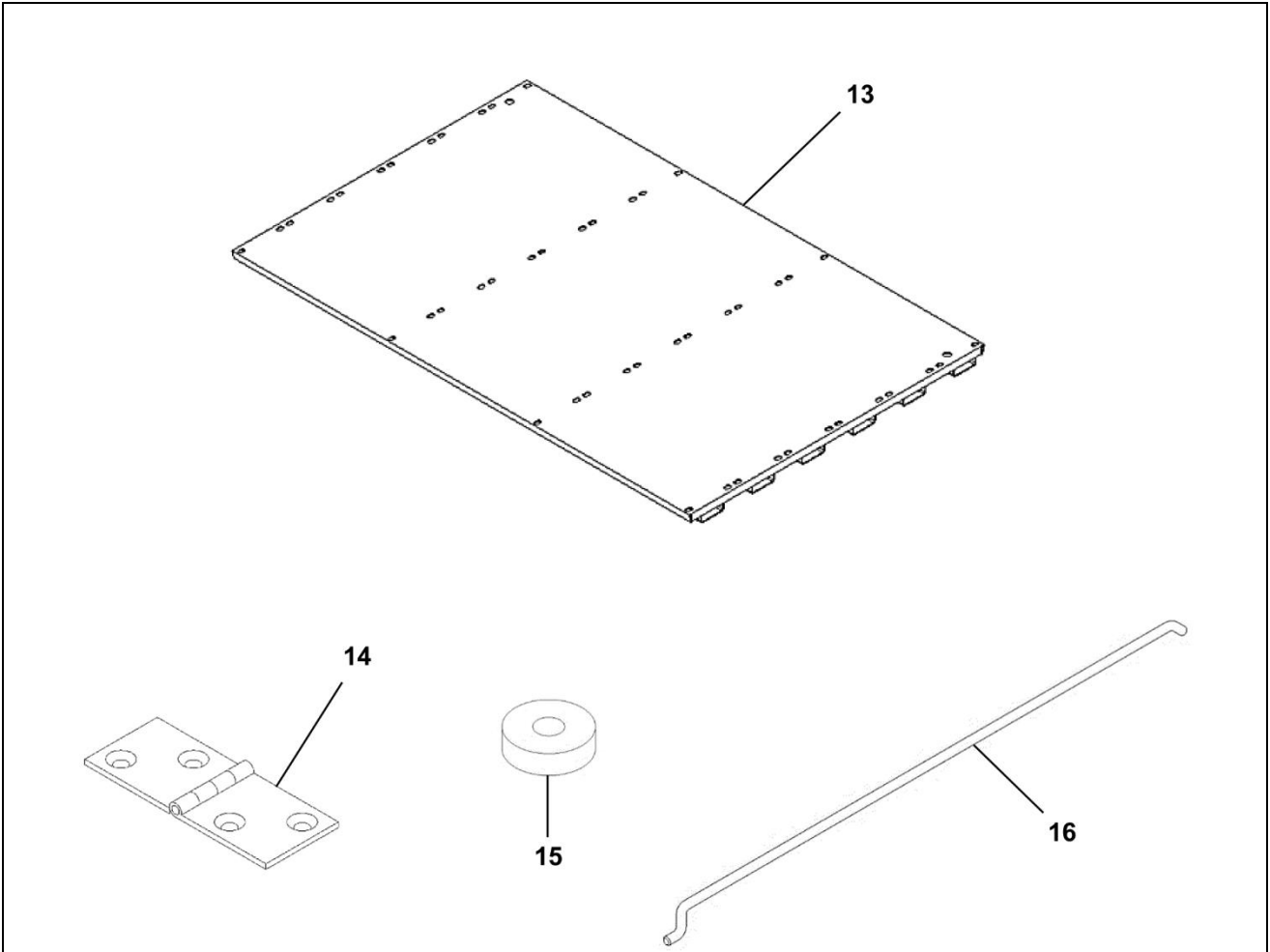
	VINTAGE	
REF. No.	PART No.	DESCRIPTION
9	GO457BK4	Assembly, Floorplate, Lower Landing, 32 in.
	GO457BK5	Assembly, Floorplate, Lower Landing, 44 in.
	GO457BK6	Assembly, Floorplate, Lower Landing, 48 in.
	GO457BK10	Assembly, Floorplate, Upper Landing, 32 in.
	GO457BK11	Assembly, Floorplate, Upper Landing, 44 in.
	GO457BK12	Assembly, Floorplate, Upper Landing, 48 in.



VINTAGE		
REF. No.	PART No.	DESCRIPTION
10	GO255ES1	Shim
11	GO385BL1	Guide
12	DIN963 M12X35	Screw, SS Flat Head
	DIN965 M12x35	Screw, SS Philips Head

Hinged Floor Plate

C-1106



VINTAGE		
REF. No.	PART No.	DESCRIPTION
13	YYGO457BE4 GO457BE1	Floorplate, Hinged, 32 in.
	YYGO457BE2 GO457BE2	Floorplate, Hinged, 44 in.
	YYGO457BE3 GO457BE3	Floorplate, Hinged, 48 in.
14	YYGO391BH1	Hinge
15	YYGO172FG1	Ring, Rubber
16	YXGO135BA4	Rod
	YYGO135BA4	