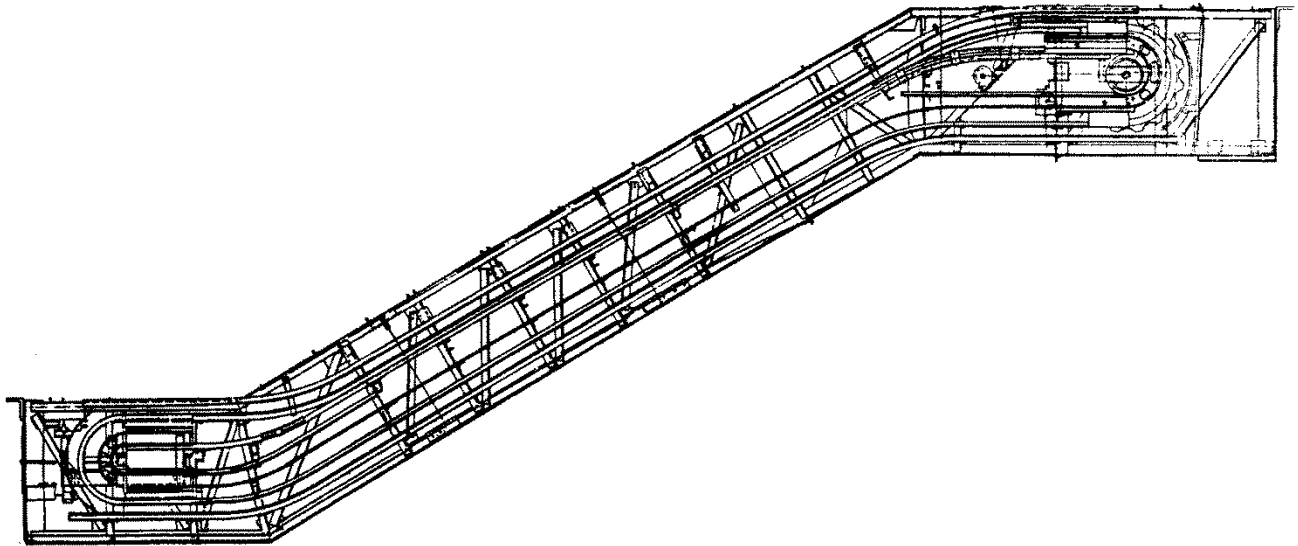


“J” Escalator and Escal-Aire Tracks

Spare Parts Leaflet C-1107

March 13, 2013 / Page 1 of 8



Unpublished Work—©Otis Elevator Co.; 2013

OTIS

Safety First!

SERVICE ENGINEERING
Otis Elevator Company
Bloomfield, Connecticut USA

Leaflet Description

See C-1099 for typical arrangement dwg. and parts leaflet index of unit assemblies.

Leaflet Revisions

Date Revised	Subject Matter Expert	Reason for Revision
January 5, 1976	---	New SPL
March 13, 2013	Tom Charney	Reformatted and updated the entire SPL

Related Drawings

Drawing No.	Title	Drawing No.	Title
YXGO68141J	Track Complete, Left Hand	YXGOB6819C	Curved Track Assembly, Right Hand

Related Documents

Document ID	Title

Subject Matter Expert

Name	Department
Tom Charney	OSC Service Engineering

About Spare Parts Leaflets...

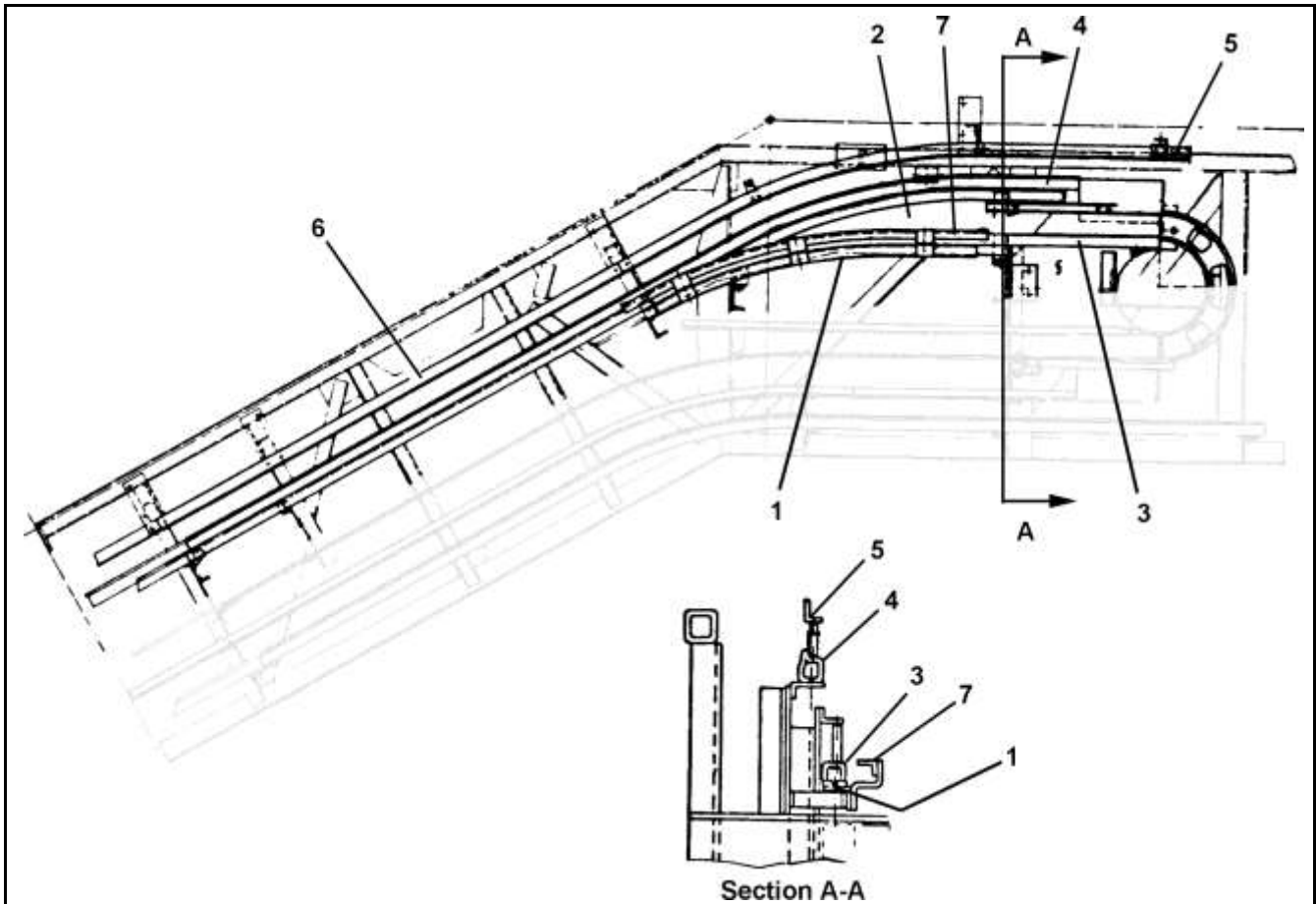
This document lists the lowest replaceable units (LRUs) for the standard version of the product. The LRUs are chosen by a team of Otis associates representing engineering and manufacturing.



While goal of this document is to make parts identification as easy as possible, the document cannot be all-inclusive. Elevator and escalator contracts classified as "special" or "custom" are not addressed here. For such contracts, please refer to specified information, the contract folder, TIPs, Field Education Articles, Construction Letters, etc. for further information.

If you have any suggestions about this document, please contact the subject matter expert listed on this page.

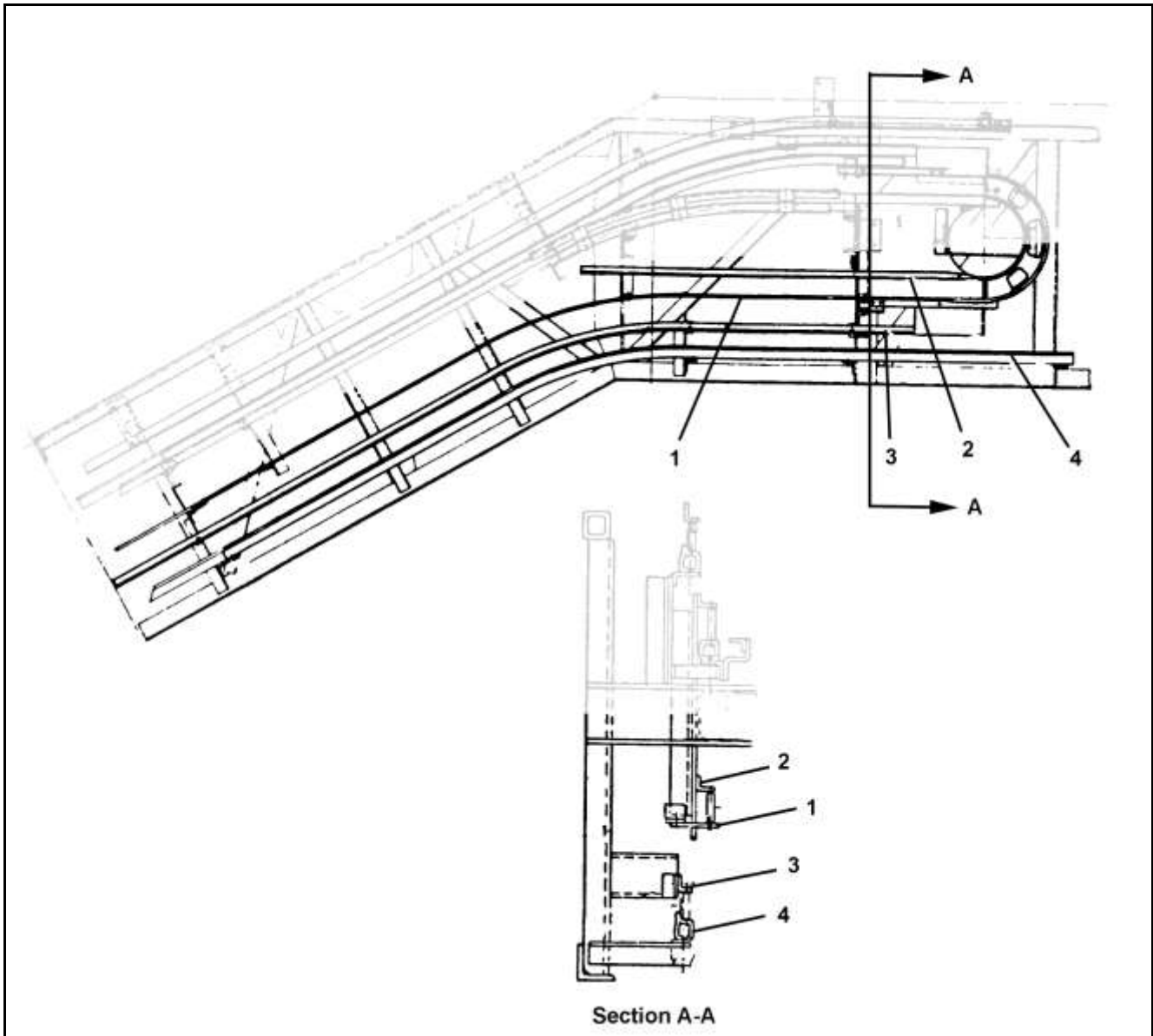
“J” Track Upper Landing Passenger Line



C-1107



REF. No.	PART No.		DESCRIPTION
			
1	YXGOA272ACL1	YXGOA272ACL2	Angle, Support (only used w/ plate type track support)
2	YYGOA386VL1 YXGOA386VL1	YYGOA386VL2 YXGOA386VL2	Support, Track, Plate Type
	333ACY1	333ACY2	Support, Track, Channel Type
3	483NX3	483NX4	Track, Step Wheel, 2-Piece (1 flat step)
	GOB483FD1	GOB483FD2	Track, Step Wheel, 1-Piece (1 flat step)
4	GOB483FE1	GOB483FE2	Track, Chain Wheel (1 flat step)
5	GO483GH1	GO483GH2	Track, Upthrust w/o Microswitch
	YYGO483GH500	YYGO483GH501	Track, Upthrust w/ Microswitch
	YXGO483GH500	YXGO483CH501	Track, Upthrust w/ or w/o Microswitch
6	YYGO483GF5	YYGO483GF6	Track, Upthrust, Chain Wheel (5 slots)
	YYGO483GF500	YYGO483GF501	Track, Upthrust, Chain Wheel (7 slots)
7	YYGO483GA1	YYGO483GA2	Track, Step Upthrust (used w/ plate type track support)
	YXGO483GA1	YXGO483GA2	Track, Step Upthrust (used w/ channel type track support)

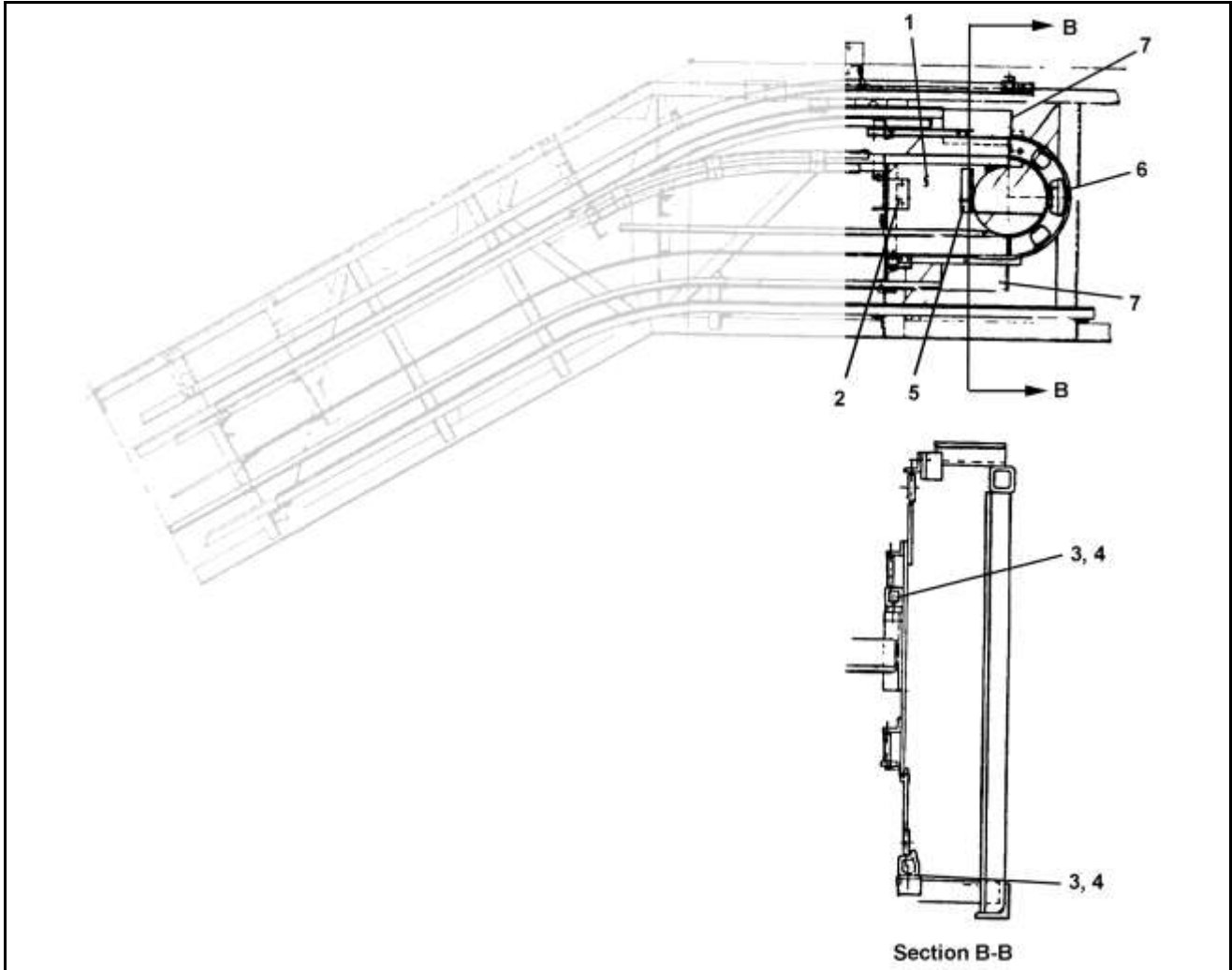
“J” Track Upper Landing Return Line



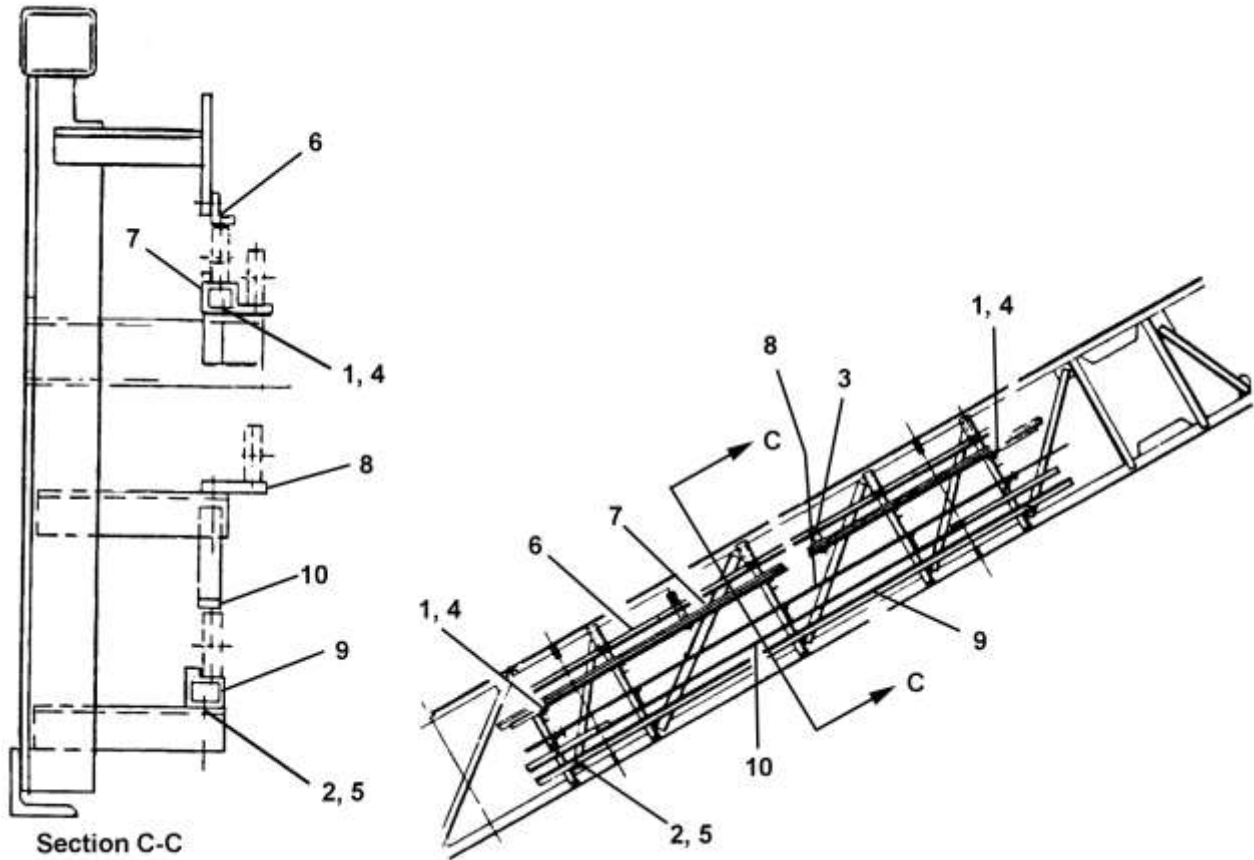
REF. No.	PART No.		DESCRIPTION
			
1	YXGO483ER1	YXGO483ER2	Track, Step Wheel Return, 1-Piece (replace with 2-piece)
	YXGO483ER3	YXGO483ER4	Track, Step Wheel Return, 2-Piece
2	272BFM3	272BFM4	Track, Upthrust, Step Wheel Return (Angle)
3	YYGO483EP1	YYGO483EP2	Track, Upthrust, Chain Wheel Return Line
4	GO483ES1	GO483ES2	Track, Chain Wheel Return Line

“J” Track Upper Landing Turnaround

C-1107



REF. No.	PART No.		DESCRIPTION
1	YXGO483EM1	YXGO483EM2	Assembly, Track Connection
2	YYGO272ASV1	---	Angle Only
3	GO63T2		Bolts, T-Head M12 x 40
4	DIN934 M12		Nut
5	YYGO272AMM1		Spacer, Support, Type 32
	YYGO272AMM2		Spacer, Support, Type 44
	YYGO272AMM3		Spacer, Support, Type 48
6	GO483JC1		Track, End Upper Landing, Crab Casting
7	GO483JD2	GO483JD3	Track, Angle, Connecting Piece (Tangential Guide), L = 11.8 in.
	YXGO483JD1	YXGO483JD2	Track, Angle, Connecting Piece (Tangential Guide), L = 12.5 in.



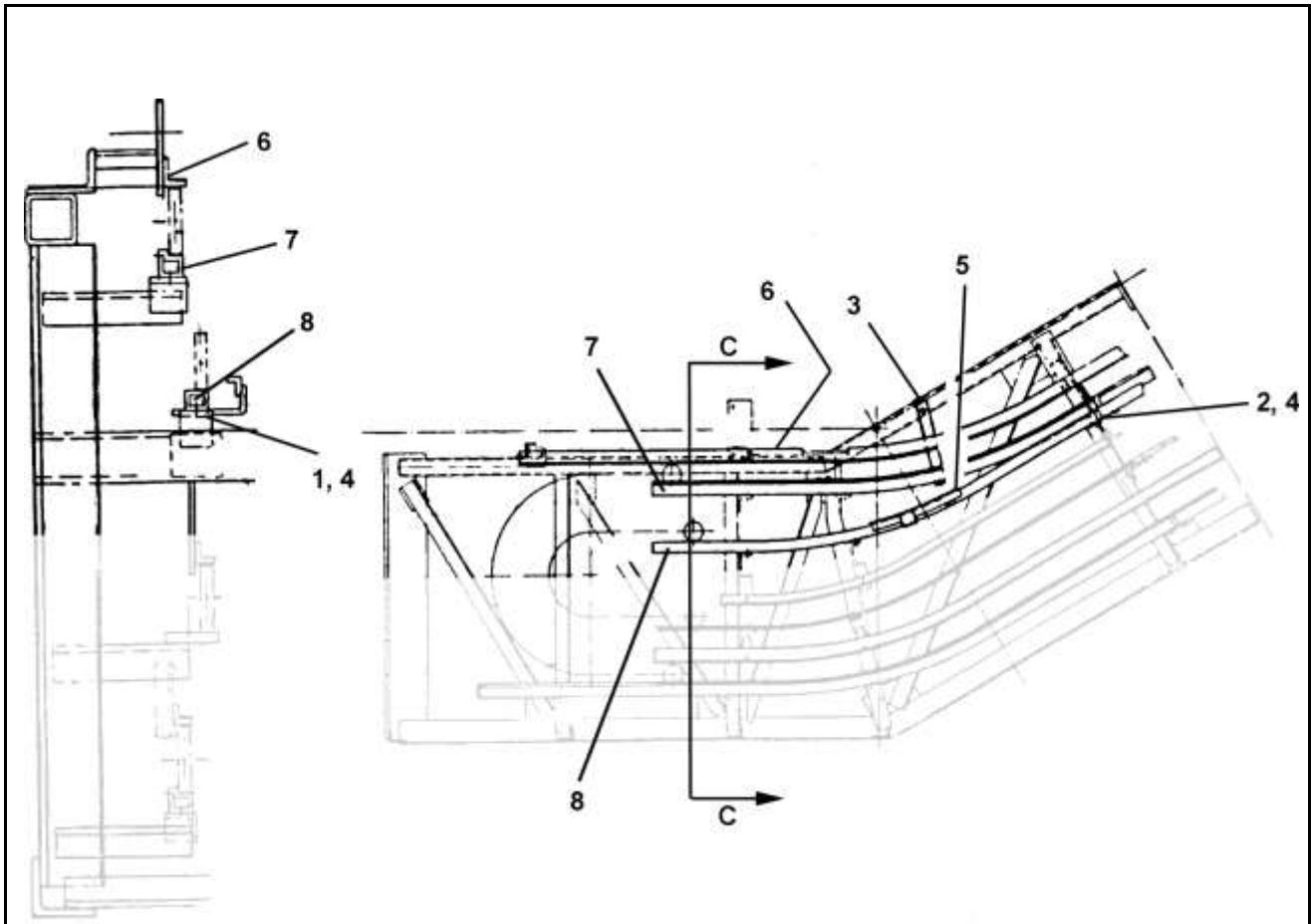
REF. No.	VINTAGE PART No.	DESCRIPTION
1	GO63T1	Bolt, T-Head M16 x 35
2	GO65BT2	Bolt, T-Head M12 x 40
3	GO316ASK1	Holder, Skirt Panel, Upthrust
4	DIN934 M16	Nut
5	DIN934 M12	Nut
6	ST9 A1-3/4x1-1/4x3/16 YYGO483GN-VL	Track, “P” Upthrust, , See NOTE 2
	ST9 A1-3/4x1-1/4x3/16 YYGO483GN-VR	Track, “P” Upthrust, , See NOTE 2
7	GOA50FK-240 156-141	Track, “AB” Chain & Trailer Step Wheel, Upper Line, See NOTE 1
8	ST10 5/16x3-1/2	Track, “M” Trailer Step Wheel Return Line, See NOTE 1
9	GXA50ADJ-240	Track, “N” Chain Wheel Return Line, See NOTE 1
10	YXGOA483CV-V	Track, Upthrust Return Line Only, See NOTE 2

NOTES:




1. Cut to suit locally.
2. Contract specific. When ordering track give sales #, reference #, and description.

“J” Track Lower Landing Passenger Line

C-1107

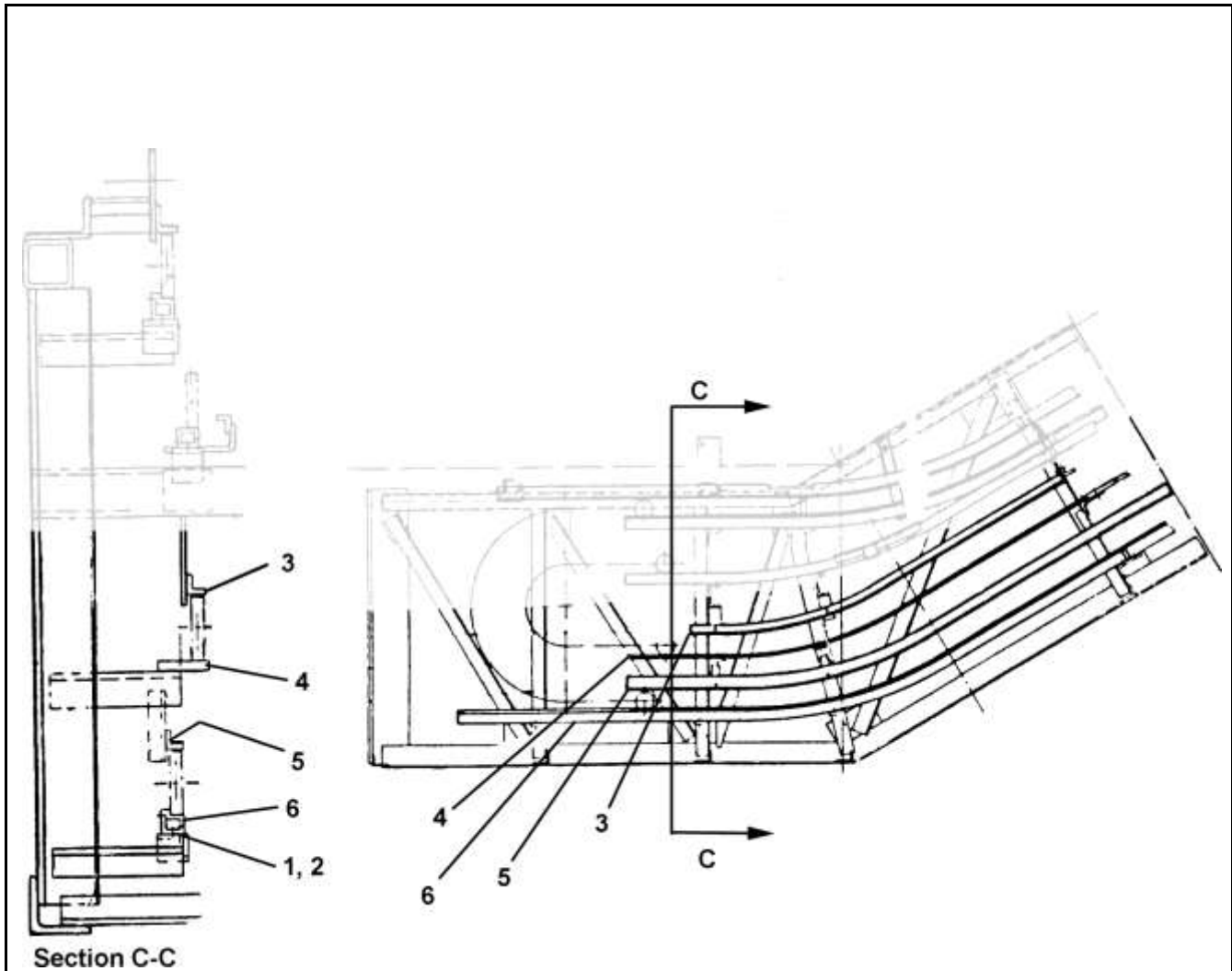




Section C-C

REF. No.	PART No.		DESCRIPTION
			
1	GO63T2		Bolt, T-Head M12 x 40
2	GO63T4		Bolt, T-Head M12 x 70
3	GO299SD1		Bracket
4	DIN934 M12		Nut
5	YYGOA483GE1	---	Track, Step Upthrust Upper Line,  only
6	YXGO483GG1 AYXGO483GG1	YXGO483GG2 AYXGO483GG2	Track, Upthrust Upper Line
7	YXGOA483FF1 GOA483FF1	YXGOA483FF2 GOA483FF2	Track, Chain Wheel Upper Line
8	GOB483FH1	GOB483FH2	Track, Step Wheel Upper Line

C-1107

“J” Incline Track Return Line



REF. No.	PART No.		DESCRIPTION
			
1	GO63T2		Bolts T-Head M12 x 40
2	DIN934 M12		Nut
3	YYGOA483FY1	YYGOA483FY2	Track, Upthrust, Trailer (Step) Wheel Return Line
4	GOB483FJ1	GOB483FJ2	Track, Trailer (Step) Wheel Return Line
5	YYGOA483FX1	YYGOA483FX2	Track, Upthrust, Chain Wheel Return Line
6	GOA483FG1	GOA483FG2	Track Chain Wheel Return Line