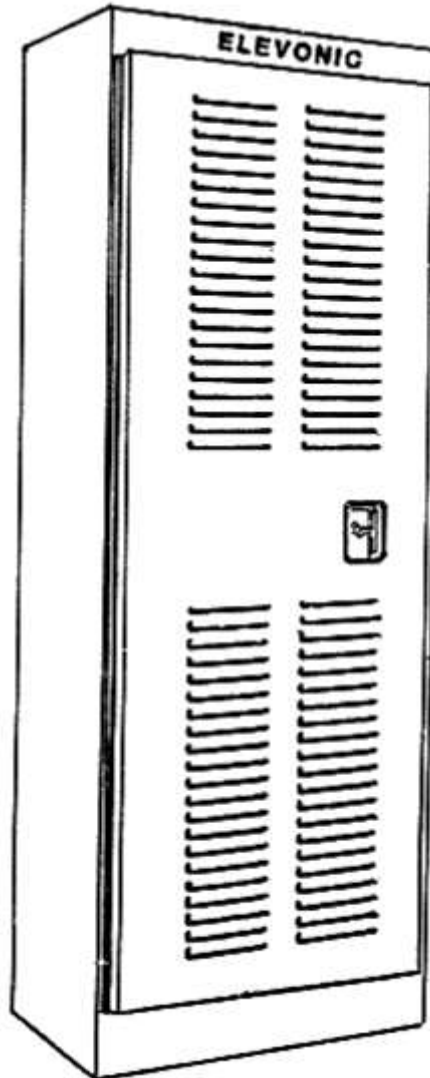


**Elevonic 101 / 401
Group Controller**

Spare Parts Leaflet

C-3024A

March 21, 2012 / Page 1 of 8



Unpublished Work—©Otis Elevator Co.; 2012

OTIS

Safety First!

SERVICE ENGINEERING

Otis Elevator Company

Bloomfield, Connecticut USA

Leaflet Description

This SPL provides spare parts information for Elevonic 101 / 401 group controller.

Leaflet Revisions

Date Revised	Subject Matter Expert	Reason for Revision
October 1984	---	Initial release
March 21, 2012	Bennie Murah	Added Compass Information

Related Drawings

Drawing No.	Title	Drawing No.	Title
---	---	--	---

Related Documents

Document ID	Title
---	---

Subject Matter Expert

Name	Department
Bennie Murah	Farmington Engineering, Otis

About Spare Parts Leaflets...

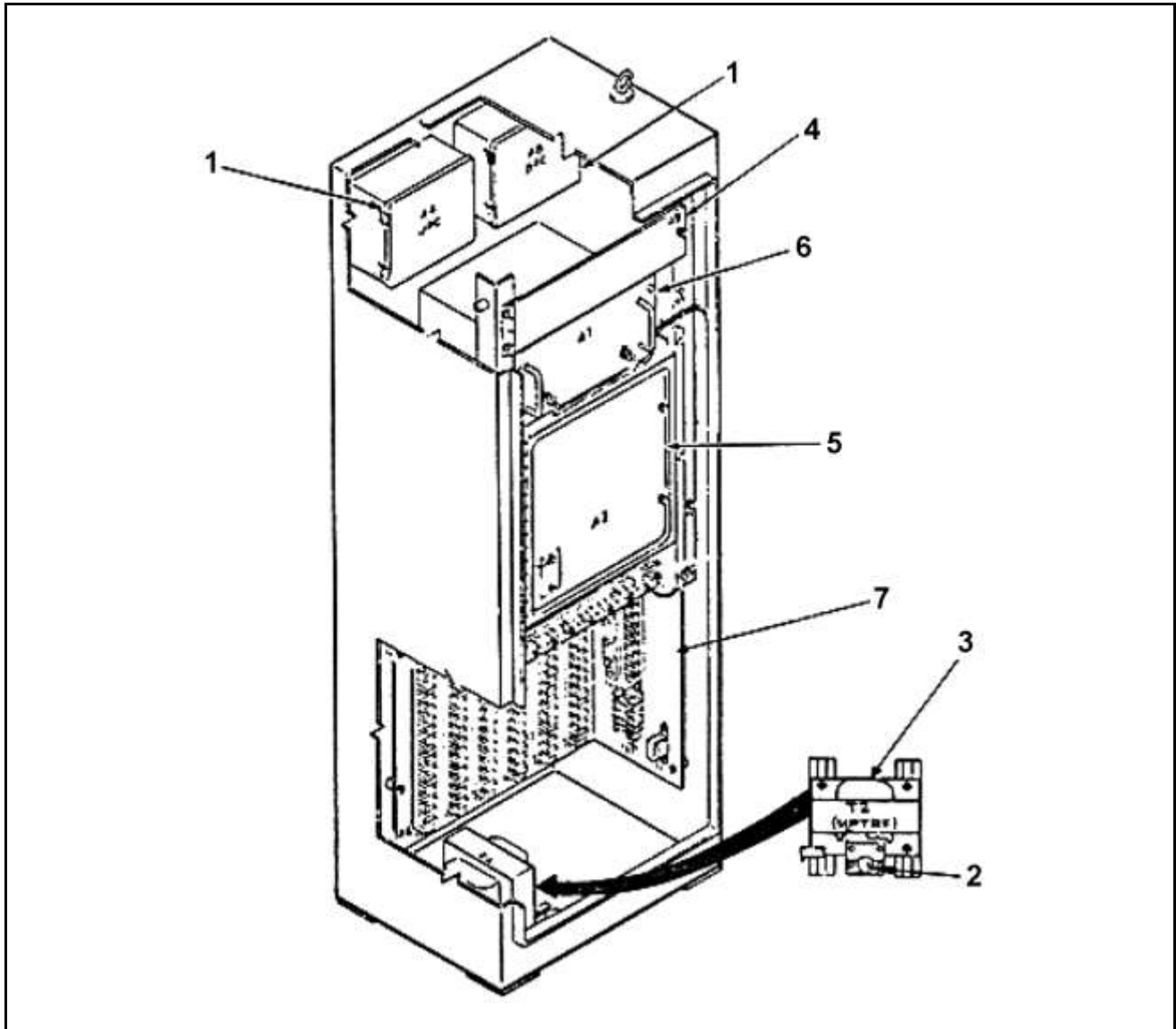
This document lists the lowest replaceable units (LRUs) for the standard version of the product. The LRUs are chosen by a team of Otis associates representing engineering and manufacturing.

While goal of this document is to make parts identification as easy as possible, the document cannot be all-inclusive. Elevator and escalator contracts classified as "special" or "custom" are not addressed here. For such contracts, please refer to specified information, the contract folder, TIPs, Field Education Articles, Construction Letters, etc. for further information.

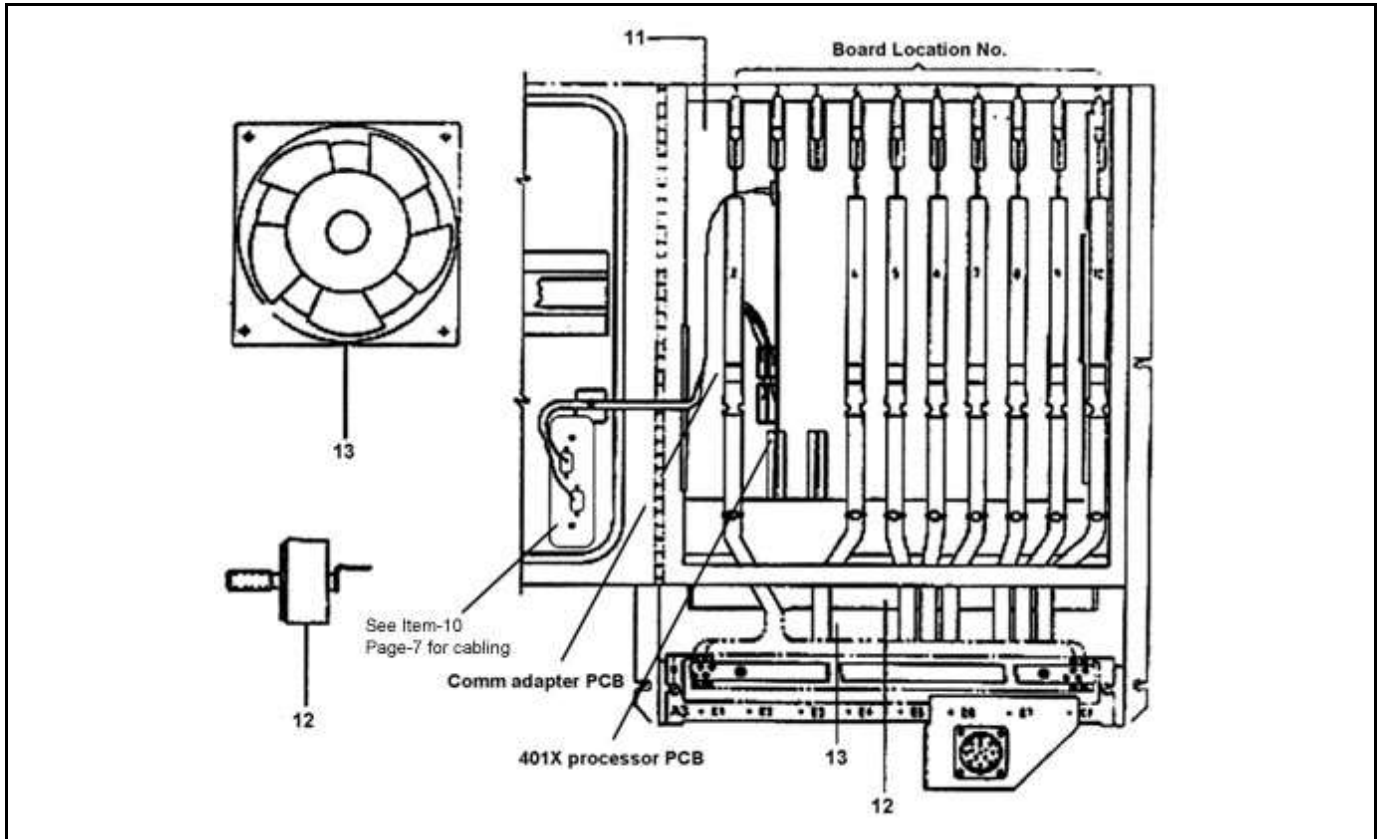
If you have any suggestions about this document, please contact the subject matter expert listed on this page.

Group Controller Assembly

C-3024A



REF. No.	PART No.		DESCRIPTION	QTY.
	E-101	E-401		
1	A177T1		Clock, UP/DN Peak	2
2	HT2E4735/04-0008		Varistor	1
3	HT201611-1	HT203133-1	Transformer, 400–480 V	1
	HT201712-1	HT203131-1	Transformer, 200–240 V	1
	HT201713-1	HT203132-1	Transformer, 380 V	1
	HT201714-1	HT203141-1	Transformer, 550-575 V	1
4	HT201768-1		Feature Panel w/ HT201823-1 PCB	1
5	---		Cardfile (see p. 4)	1
6	---		Power Supply (see p. 5)	1
7	---		Input Power Panel (see p. 6)	1



REF. No.	PART No.		DESCRIPTION	QTY.
	E-101	E-401		
1	HT201737-1		Processor PCB w/ 2716 EPROMs	1
	---	HT204349-1	Processor PCB w/ 2732A EPROMs	1
	AAA21700AL1		401X Processor PCB for Compass Integration	1
2	HT201732-4		Communication PCB 4-Car Group	1
	HT201732-6		Communication PCB 6-Car Group	1
	HT201732-8		Communication PCB 8-Car Group	1 Recommended
	AAA26800AVZ1		Board, Adapter (from WAGO to card edge connector)	Optional
4	---	HT203102-1	Group Fixture PCB	1 Recommended
	HT201723-1	---	General Purpose, Full PCB	1 Recommended
5-9	HT201723-1		General Purpose, Full PCB	See NOTE 1
	HT201724-1		General Purpose, Half PCB	See NOTE 1
5-7	---	HT203102-1	Group Fixture PCB	See NOTE 1
10	HT201735-1		Bus Terminator PCB	1 Recommended
11	HT201728-1		Interconnect PCB	1
12	HT201191-1		Thermal Switch, 115° Setting	1
13	HT202326-1		Exhaust Fan, 115 VAC	1
*	HT201309-1		EPROM 2716 for HT201737-1	See NOTE 1
*	---	VP-766050	EPROM 2732A for HT204349-1	See NOTE 1

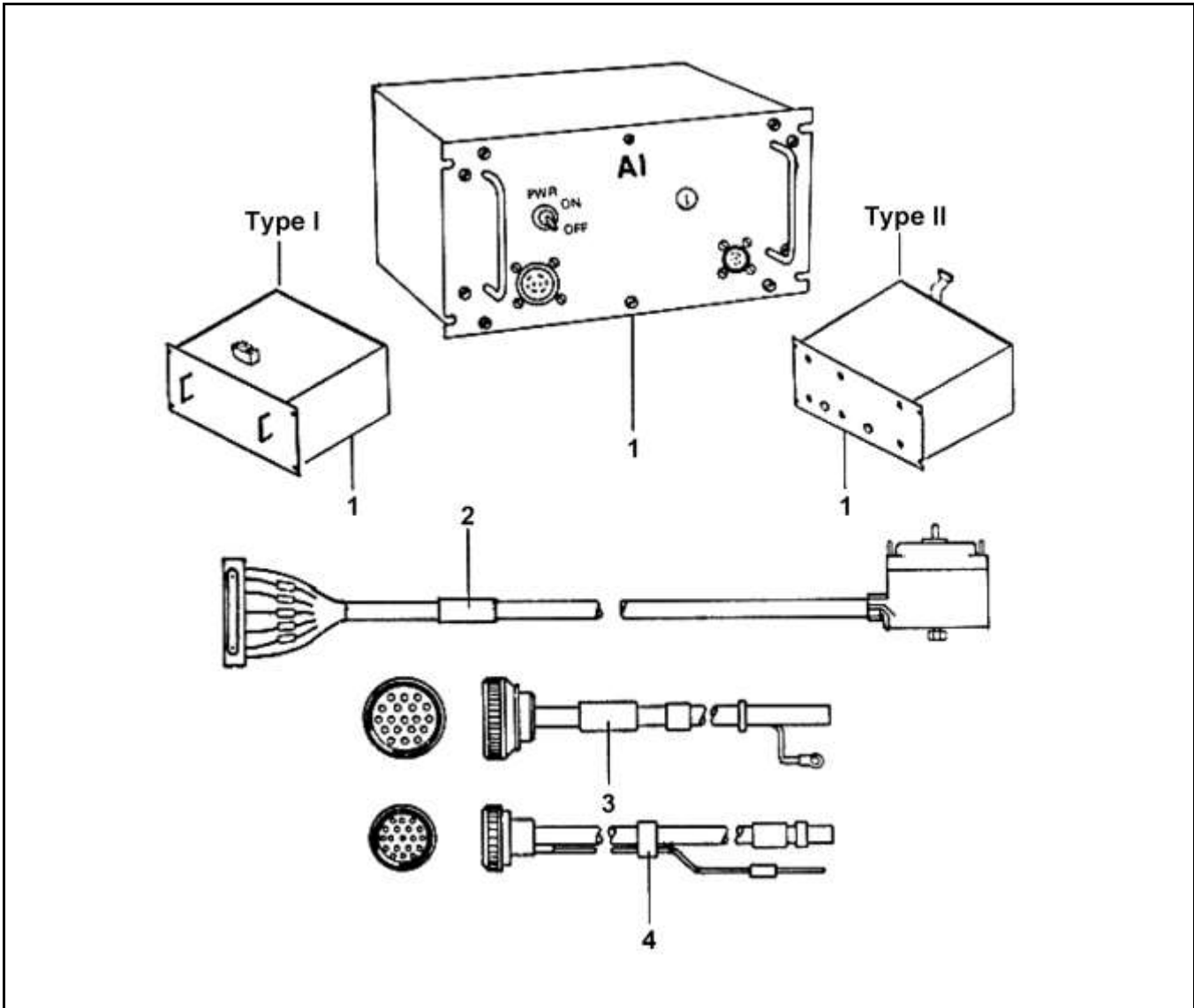
* Part not shown.

NOTE 1: Position, quantity, and /or usage per contract conditions.

NOTE 2: Elevonic 401 processor boards are not interchangeable.

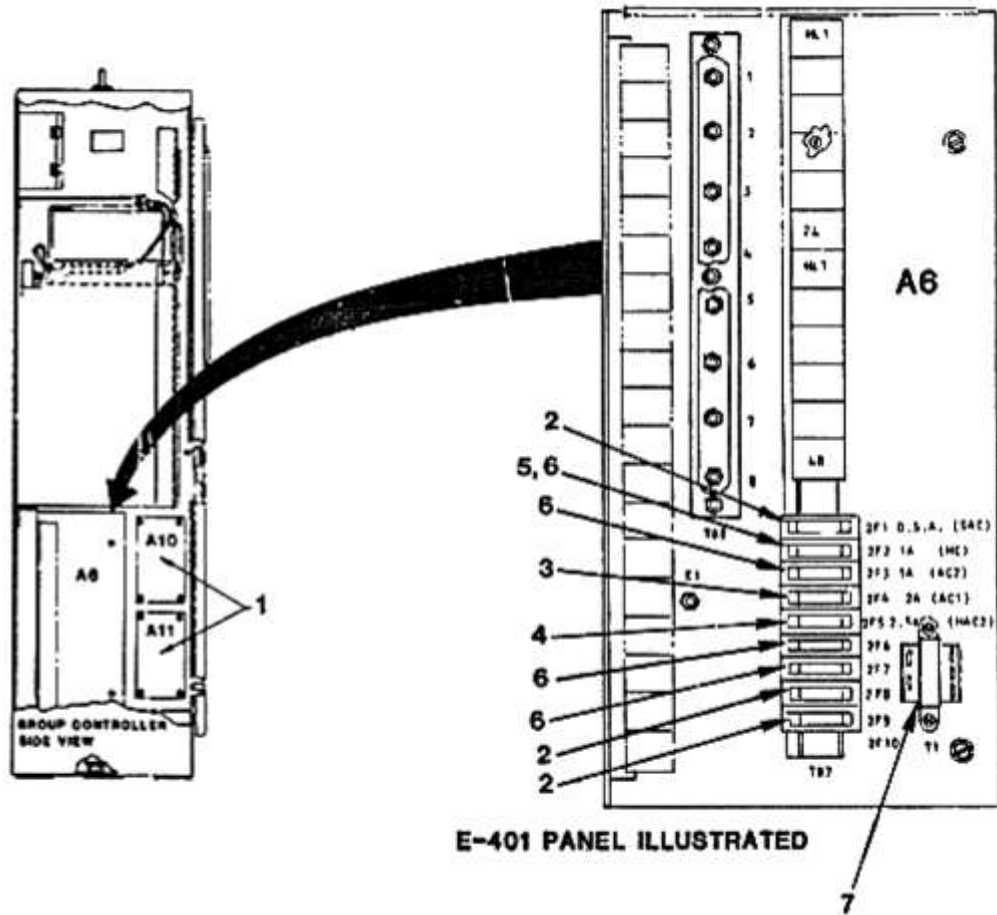
Power Supply A1

C-3024A



REF. No.	PART No.		DESCRIPTION	QTY.
	E-101	E-401		
1	HT203193-1		Requires Item 2 Type I Power Supply, w/ Charger Circuit Type II Power Supply, w/ Charger Circuit & Ribbon Cable	1 Recommended
	---	HT203193-2	Requires Item 2 Type I Power Supply, w/o Charger Circuit Type II Power Supply, w/o Charger Circuit & Ribbon Cable	
2	HT201807-1		Assembly, Cable, for Type I Power Supply	1
3	HT201305-3		Assembly, Cable, J1	1
4	HT201304-3		Assembly, Cable, J2	1

Input Power Panel A6

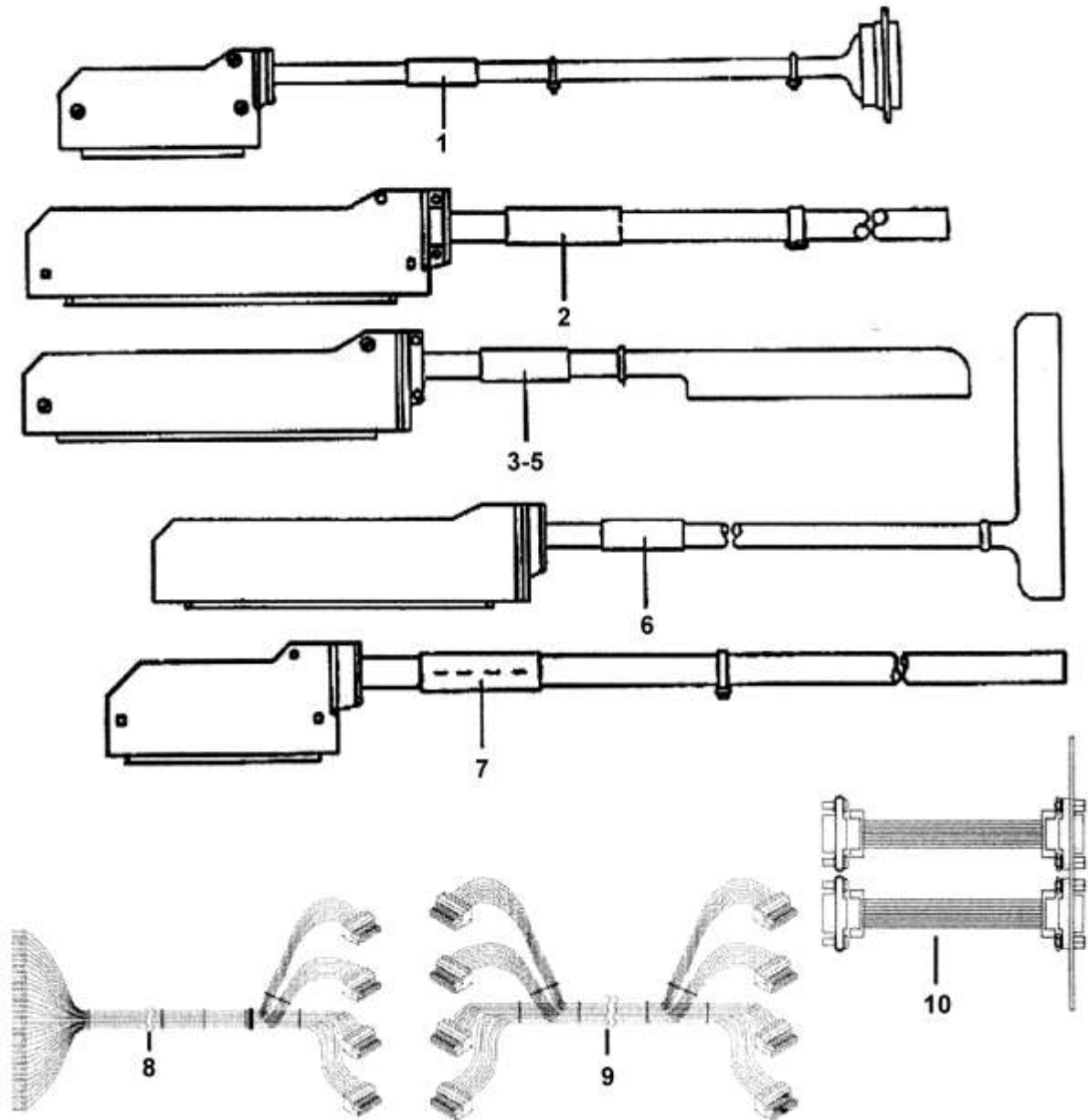


E-401 PANEL ILLUSTRATED

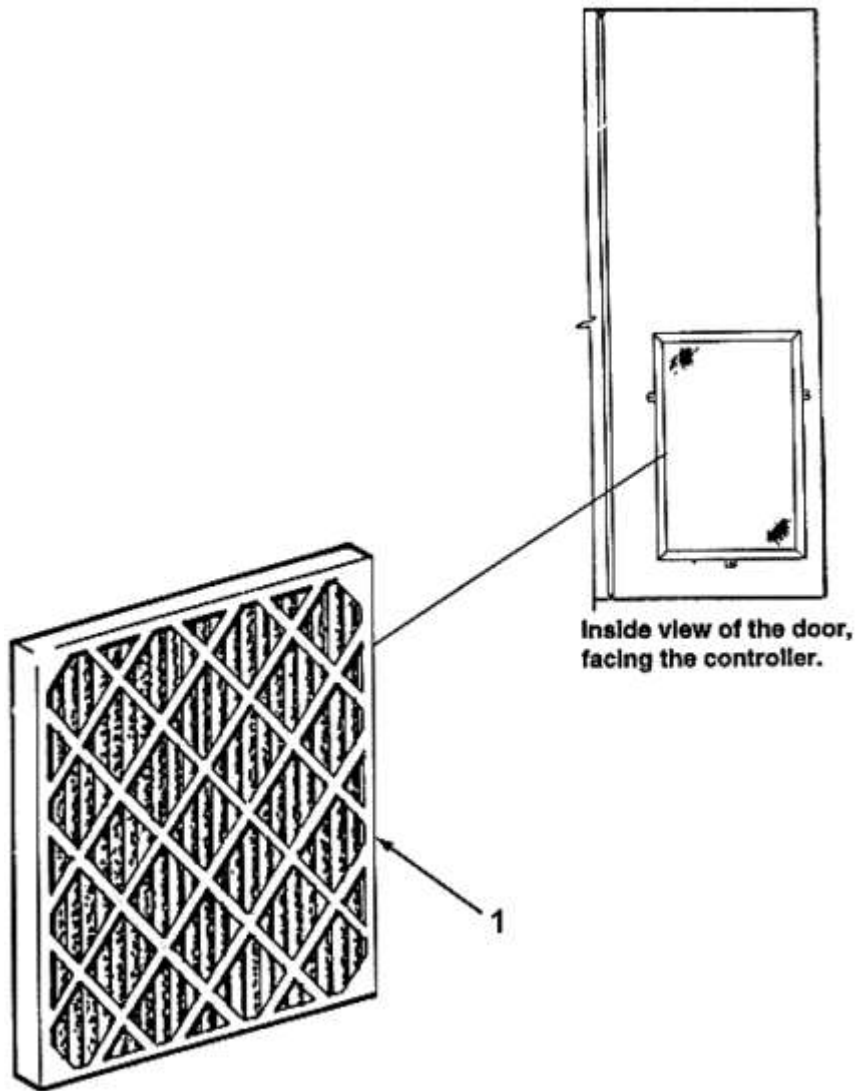
REF. No.	PART No.	DESCRIPTION	QUANTITY PER APPLICATION	
			101	401
1	POWCP429	Power Supply	---	1 or 2 Contract Specific
2	HT2E5150/03-0007	Fuse, 1/2 Amp	1	3
3	HT2E5150/03-0016	Fuse, 2 Amp		1
4	HT2E5150/03-0018	Fuse 2.5 Amp		1
5	HT2E5150/03-0032	Fuse, 15 Amp	1	---
6	HT2E5150/10-0001	Fuse, 1 Amp	---	4
7	HT201175-1	Transformer		1

Cable Assemblies

C-3024A



REF. No.	PART No.		DESCRIPTION	QTY.
	E-101	E-401		
1	HT201303-2		Cable Assembly, Processor PCB	1
2	HT201854-1		Cable Assembly, Bus Terminator PCB	1
3	HT201759-6	---	Cable Assembly, General Purpose PCB	**
4	HT201759-7		Cable Assembly, General Purpose PCB	**
5	---	HT201759-7	Cable Assembly, Group Fixture, PCB	1
6	HT201767-1		Cable Assembly, Communication PCB	1
7	HT201769-1		Cable Assembly, Feature Panel PCB	1
8	AAA174APP1		Cable Assembly, 401X PCB—Terminals Car Comm	1
9	AAA174APP3		Cable Assembly, 401X PCB—Adapter PCB Car Comm	Optional
10	AAA29502P1		Cable Assembly, 401X PCB—Service Tool Ext.	1



VINTAGE Y 01		
REF. No.	PART No.	DESCRIPTION
1	HT206378-1	Filter, Air, Pleated, 16 x 25 x 1 in.