

DOOR OPERATOR

TYPE: 7777A CENTER OPEN-42"
A7777A CENTER OPEN-42"
A7777G SINGLE SLIDE-42"
A7777H SINGLE SLIDE-36"

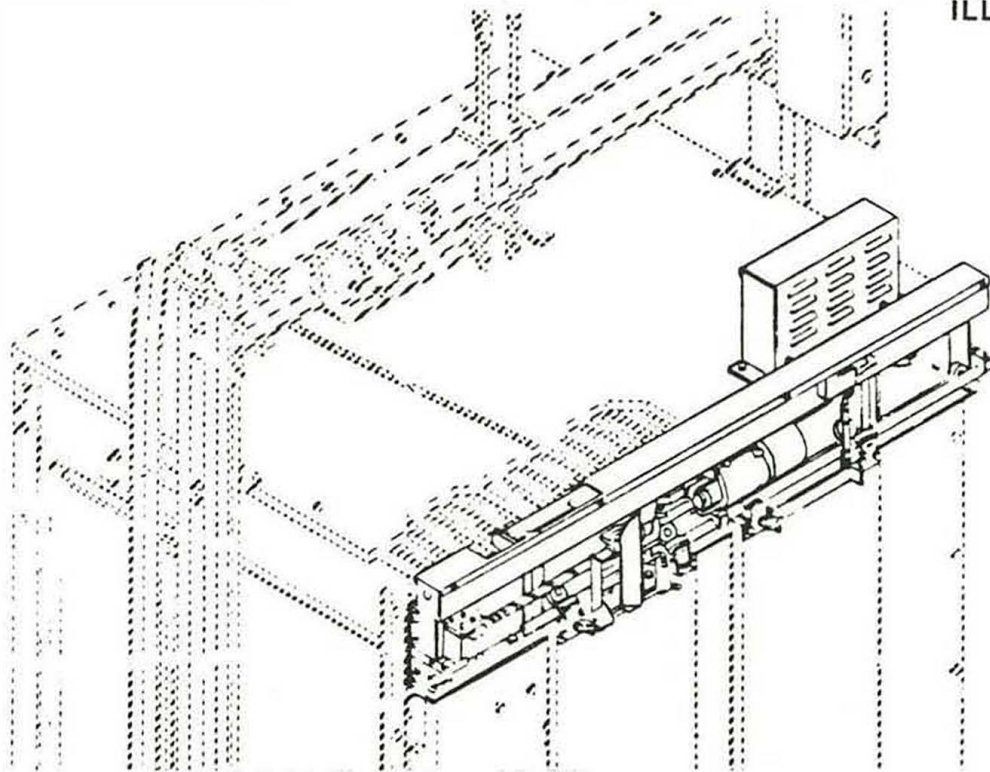
C-3049

~~NOVEMBER, 1989~~ February 2, 2022

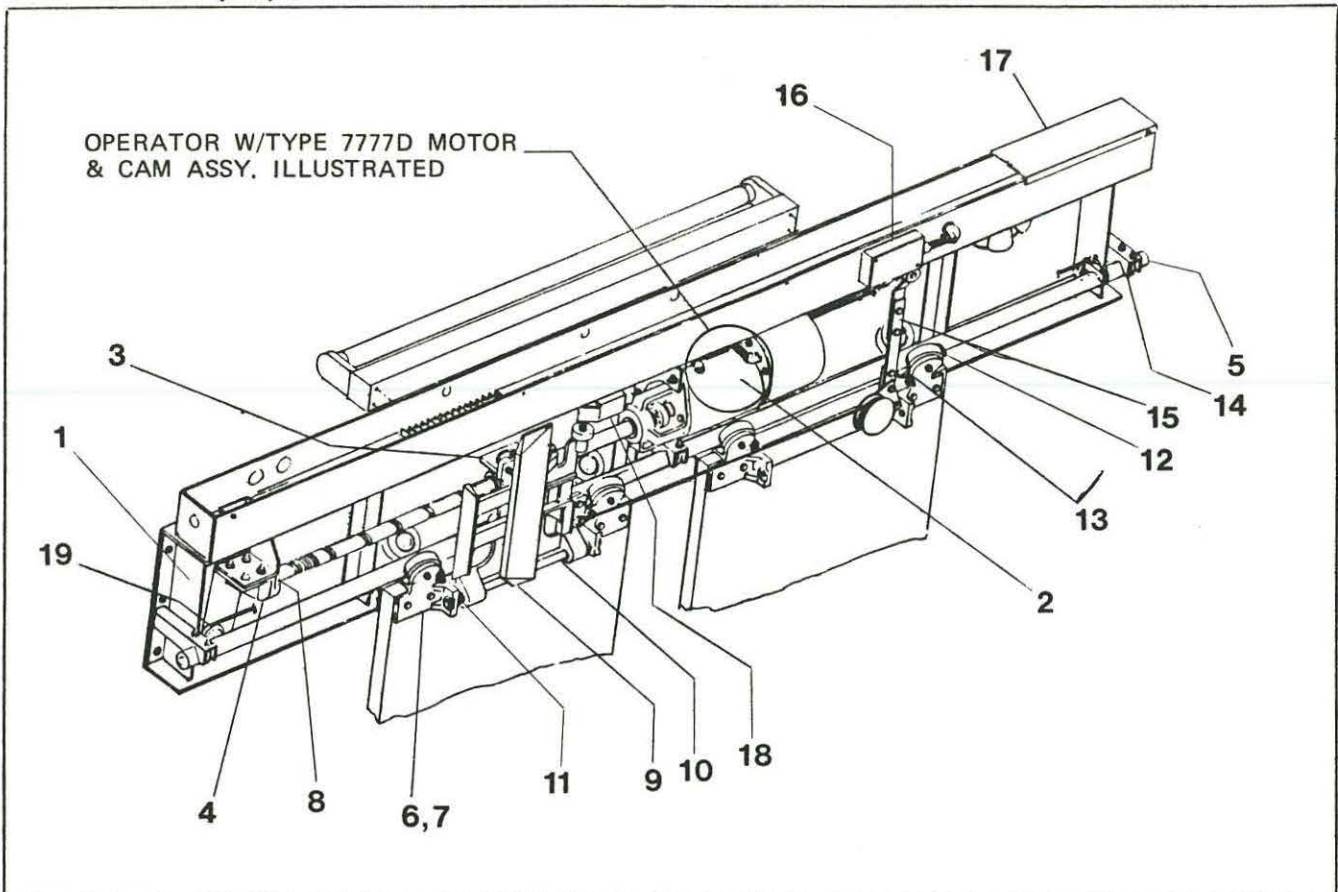
OBSOLESCENCE NOTICE

The product covered in this SPL has been designated as obsolete and is no longer supported. See TIP 32.2-1, *Obsolete Components*, for potential upgrade. Replacement lower level parts listed within and unique to this design are not being restocked when depleted. Some of these parts, depending on availability and other factors, may be quoted through Customer Service, but most will have extended lead times and increased cost due to low volume production.

TYPE 7777A
ILLUSTRATED



TYPE: (A)7777A CENTER OPEN OPERATOR ASSY.



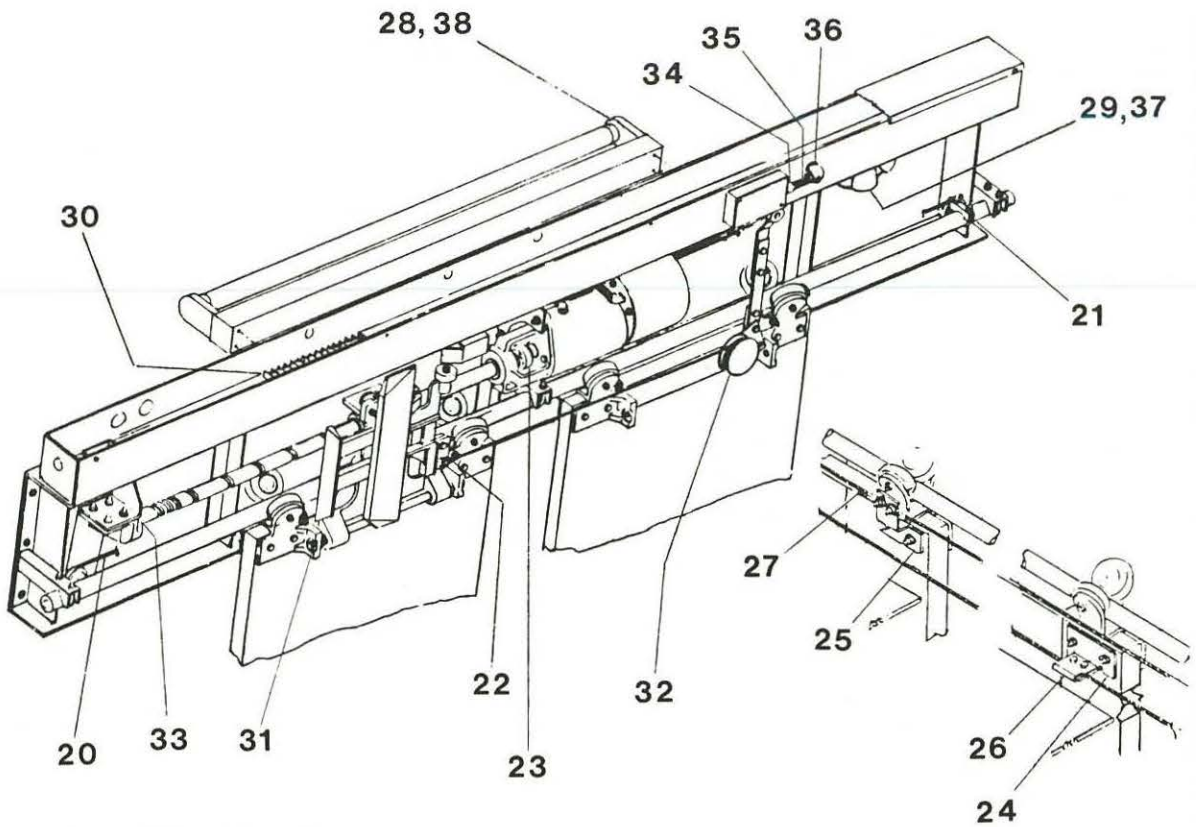
REF NO.	PART NO.	QTY.	DESCRIPTION
1	√ 409DM1	1	Header, 87" Long
2	√ ^o 7777D	1	Motor, Cam & Switch Assy., U.S. (w/Resistor Control)
	√ ^o 7777D	1	Motor, Cam & Switch Assy., Canada (w/Resistor Control)
	√ ^o 7777R	1	Motor, Cam & Switch Assy., (w/Pulse Width Modulation Cntl.)
3	√ ^o 7777C1	1	Drive Nut and Screw Assy.
4	√ 316DNM1	1	Bracket, 4-Slots, .32 X .62
5	√ 135BP4	1	Tube, 1/2" Dia., Cadmium Plated
6	√ 316DNS1	2	Door Hanger, 20.75" Long (7777A Operator)
7	√ A316DNS1	2	Door Hanger, 20.75" Long (A7777A Operator)
8	√ † 321ES1	1	Bushing
9	√ ^o A7777B1	1	Clutch Assy.
10	√* 81DF1	1	Rod, 1/2" Dia., 13" Long
11	√* 129CP6	2	Bumper, 1.38" O.D., .48" I.D.
12	√* 456FC1	8	Hanger Roller, 8 Balls, 2" Dia.
13	√* 456FB1	4	Upthrust Roller, 7 Balls, 1" Dia.
14	√ 65EF10	3	U-Bolt
15	√ 288ST1	1	Gate Switch Bracket, 7.82" Long
16	√ VP-782017	1	GAL-Type G Contact
17	√ 285HN1	1	Cover, 87.1" Long
18	√ 316DNF1	1	Cam Bracket, 2-Slots, .311 X .75
19	√ 316DND1	2	Air Cord Sheave and Bracket

*Recommended Spare Part

†General Location, Part Not Illustrated

oSee Detail on Separate Page

TYPE: (A)7777A CENTER OPEN OPERATOR ASSY.

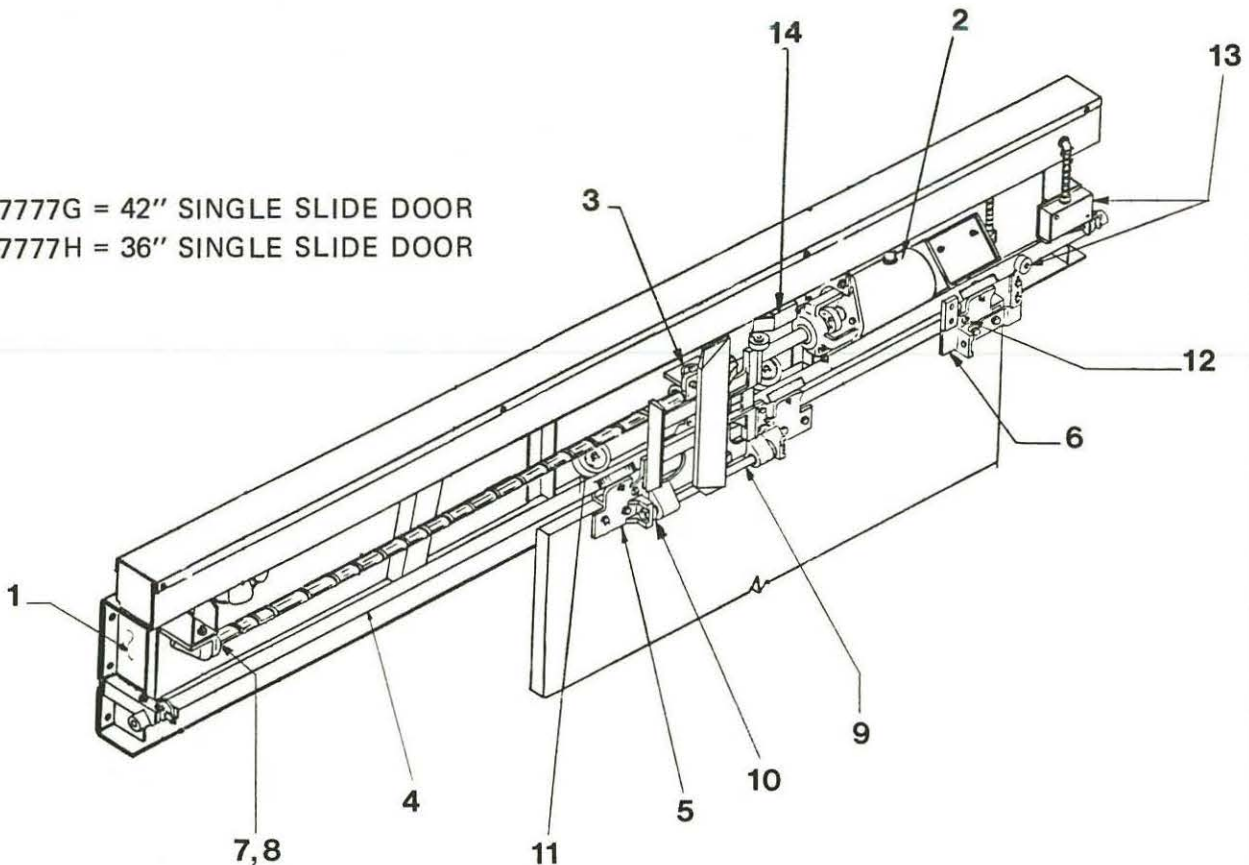


REF NO.	PART NO.	QTY.	DESCRIPTION
20	✓ 174AS10	1	Aircord, Tinned, 14'.6" Long
21	✓ CLAMP-MUFFLER 1-1/4	1	Standard Muffler Clamp 1-1/4"
22	✓ 327LK1	1	Cam Follower
23	✓ CPG-BOST-FLEX-11736	1	Bost. Flex Coupling
24	✓ 316DNH1	1	Bracket, 3-1/2" Long, 1.5" Wide
25	✓* 316DNG1	1	Bracket
26	✓ 336JR1	1	Clamp
27	✓ 336GF1	2	Clamp
28	✓ LIGHTFX 3V277	1	Light Fixture 48" Long, U.S.
29	✓ FAN 7F617	1	6" Fan, U.S.
30	✓ P303CG1	1	Terminal Block, 20 Circuits, 8.16" Long
31	✓ RING 1001-50	2	External Retaining Ring
32	✓* 6940BC1	1	Wheel Closer w/Bracket, Consist of Parts: 6940AR1, Spirator; 172DR6, Ring; 299AJT3, Bracket
33	✓ BRG6005-2RS	2	Bearing
34	✓ 440AA2	1	1/2" Connector
35	✓ 342AP20	1	1/2" Conduit
36	✓ 440G1	1	1/2" Elbow
37	✓ FAN-R401	1	6" Fan, Canada
38	✓ LIGHTFX6048HST-2140	1	Light Fixture 48" Long, Canada

*Recommended Spare Part

TYPE: A7777(G)(H) SINGLE SLIDE OPERATOR ASSY

A7777G = 42" SINGLE SLIDE DOOR
A7777H = 36" SINGLE SLIDE DOOR



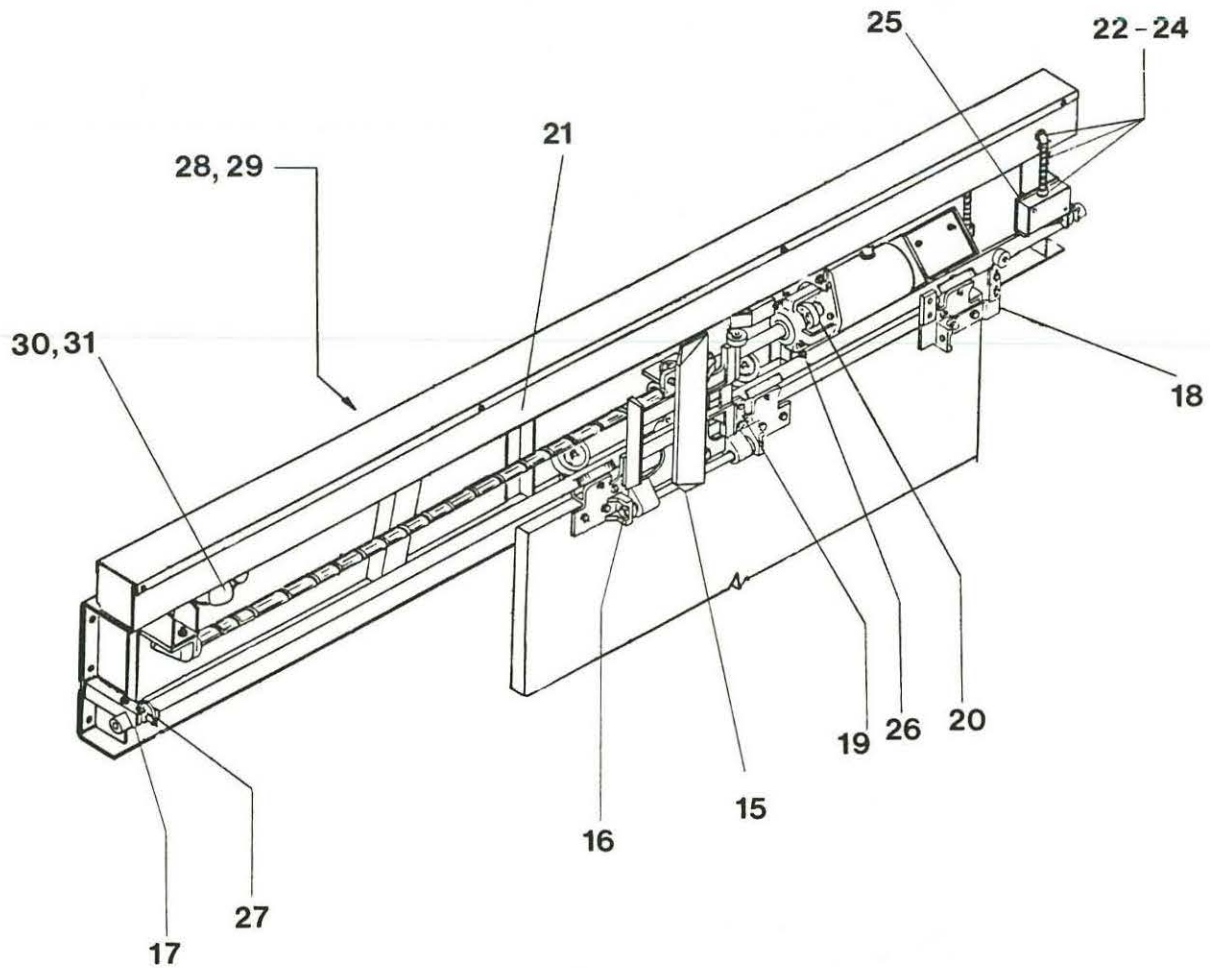
REF NO.	PART NO.	QTY.	DESCRIPTION
1	✓ 409DR1	1	Header, 42" Right Hand Opening
	✓ 409DR2	1	Header, 42" Left Hand Opening
	✓ 409DS1	1	Header, 36" Right Hand Opening
	✓ 409DS2	1	Header, 36" Left Hand Opening
TYPE ○ 7777R		1	R.H. Motor and Cam Pack Assy. 42" Opening
		1	L.H. Motor and Cam Pack Assy. 42" Opening
		1	R.H. Motor and Cam Pack Assy. 36" Opening
		1	L.H. Motor and Cam Pack Assy. 36" Opening
3	✓ ° 7777C2	1	Drive Screw Assy. 36" Opening
	✓ ° 7777C3	1	Drive Screw Assy. 42" Opening
4	✓ 135BP6	1	Tube 42" Opening
	✓ 135BP7	1	Tube 36" Opening
5	✓ A316DNS1	1	Door Hanger, 20.75" Long
6	✓ A316DNS3	1	Left Hand Door Hanger
	✓ A316DNS4	1	Right Hand Door Hanger
7	✓ † 321ES1	2	Bushing
8	✓ † BRG6005-2RS	2	Bearing
9	✓ * 81DF1	1	Rod 1/2" Dia., 13" Long
10	✓ * 129CP6	2	Bumper 1.38" O.D., .48" I.D.
11	✓ * 456FC1	4	Hanger Roller, 8 Balls, 2" Dia.
12	✓ * 456FB1	2	Upthrust Roller, 7 Balls, 1" Dia.
13	✓ * VP-782017	1	GAL-Type G Contact
14	✓ 316DNF1	1	Right Hand Cam Bracket 2-Slots, .311 X .75
	✓ 316DNF2	1	Left Hand Cam Bracket 2-Slots, .311 X .75

*Recommended Spare Part

†General Location, Part Not Illustrated

○See Detail on Separate Page

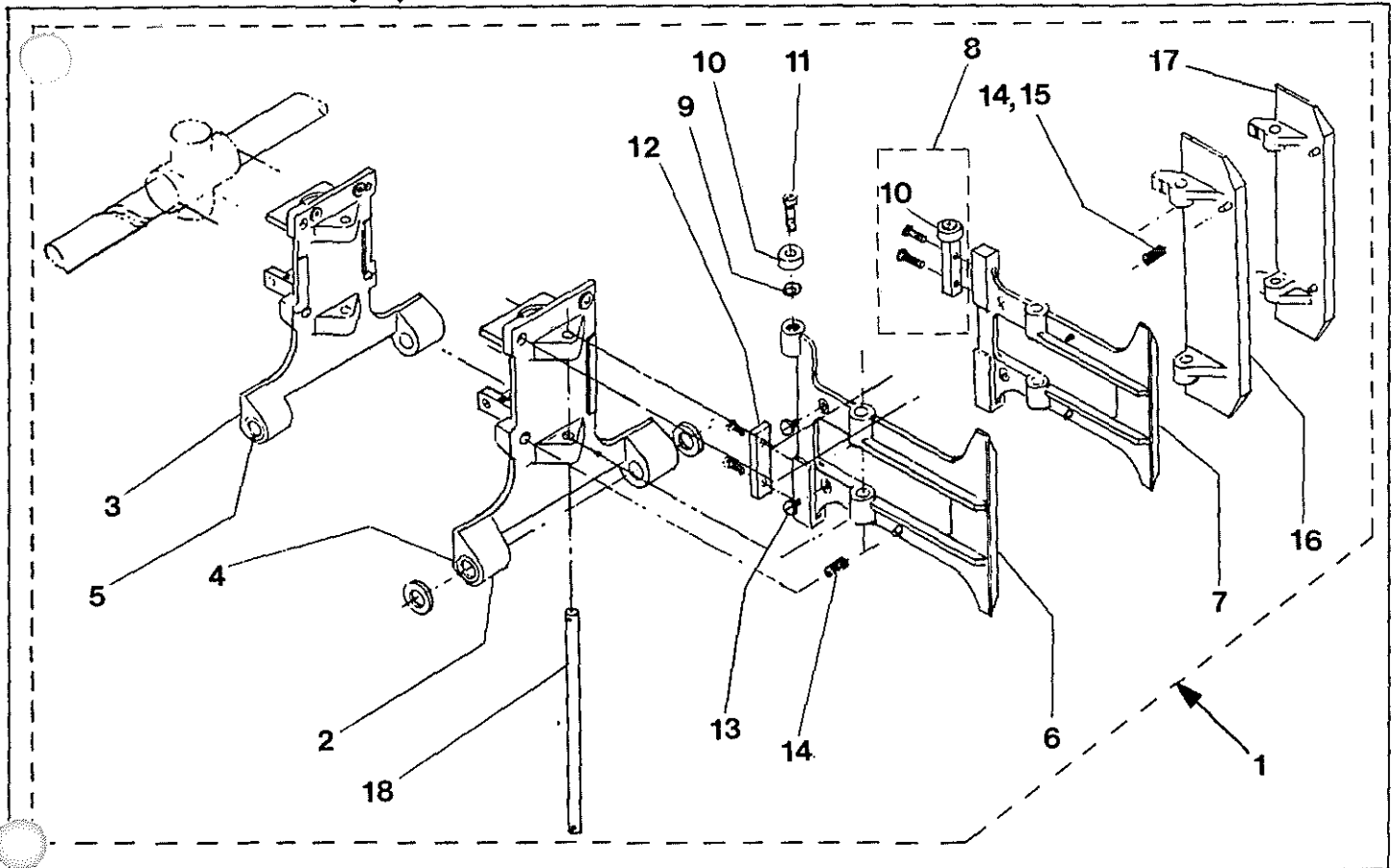
TYPE: A7777(G)(H) SINGLE SLIDE OPERATOR ASSY.



REF NO.	PART NO.	QTY.	DESCRIPTION
15	✓ A7777B	1	Clutch Assembly (See Detail Page)
16	✓ RING 1001-50	2	External Retaining Ring
17	✓ 65EF10	2	U-Bolt
18	✓ 316DRK1	1	Right Hand Gate Switch Bracket
	✓ 316DRK2	1	Left Hand Gate Switch Bracket
19	✓ 327KL1	1	Right Hand Cam Follower
	✓ 327KL2	1	Left Hand Cam Follower
20	✓ CPG-BOST-FLEX-11736	1	Bost. Flex Coupling
21	✓† P303CG1	1	Terminal Block
22	✓ 440AA2	1	1/2" Connector
23	✓ 342AP20	1	1/2" Conduit
24	✓ 440G1	1	1/2" Elbow
25	✓ 316DRJ1	1	Right Hand Bracket
	✓ 316DRJ2	1	Left Hand Bracket
26	✓ GROMMET 190	1	Grommet
27	✓ CLAMP-MUFFLER 1-1/4	1	Standard Muffler Clamp 1-1/4"
28	✓† LIGHTFX 3V277	1	Light Fixture 48" Long, U.S.
29	✓† LIGHTFX6048HST-2140	1	Light Fixture 48" Long, Canada
30	✓* FAN 7F617	1	6" Fan, U.S.
31	✓* AN-R401	1	6" Fan, Canada

*Recommended Spare Part
 †General Location Part Not Illustrated

TYPE: (A)7777B CLUTCH VANE ASSEMBLY



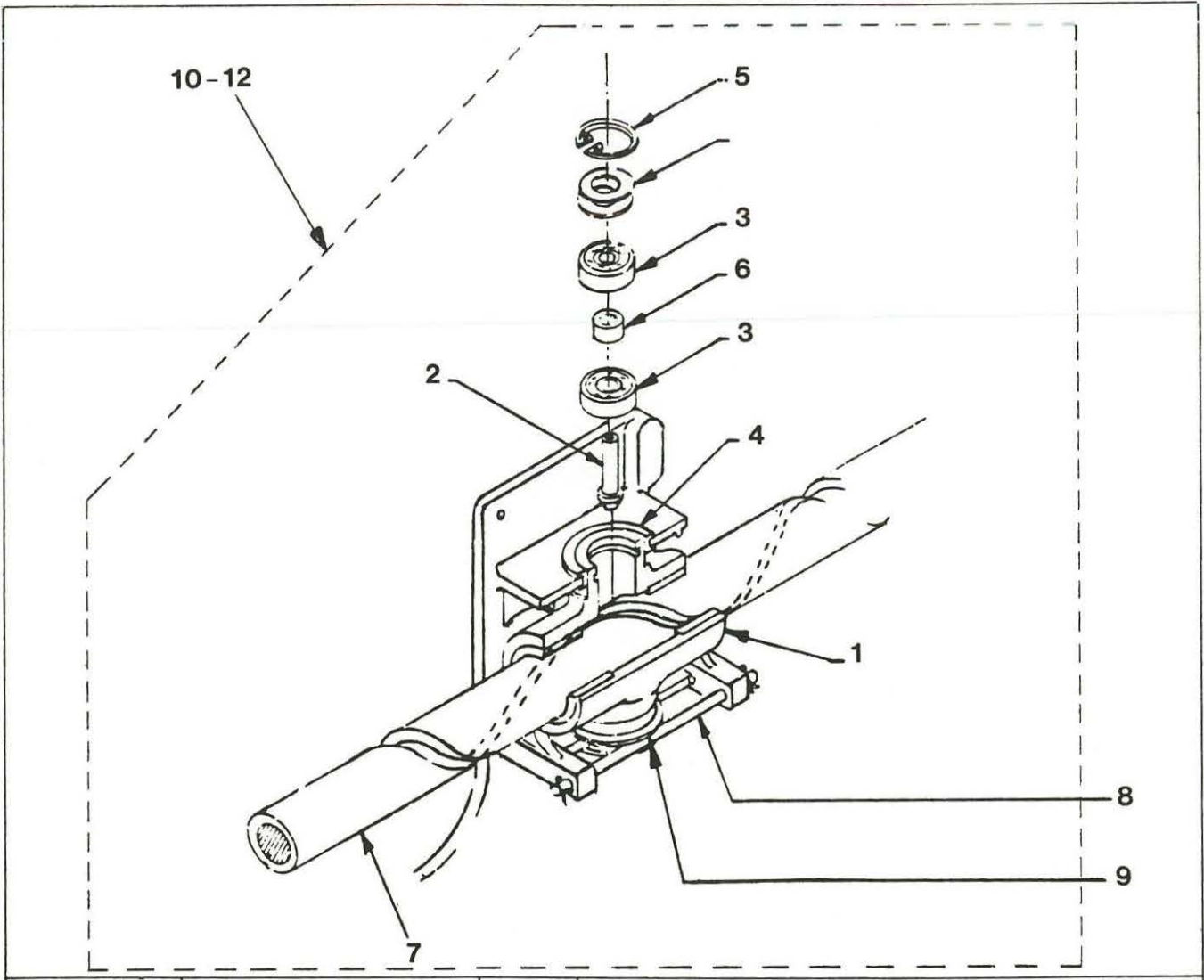
REF. NO.	PART NO.	QTY.	DESCRIPTION
1	✓●7777B1	1	Clutch Assembly Complete
* 2	✓396JR1	1	Vane Housing
* 3	✓A396JR1	1	Vane Housing
4	✓ Bush-B-81420	2	Ball Bushing
5	✓RING-PR-500	2	Retaining Rings
* 6	✓327KW1	1	Vane
* 7	✓A327KW1	1	Vane
8	✓456FD1	1	Shaft/Roller Assy., 3.6" Long
9	✓128A6	1	Brass Washer, 9/16" Dia.
10	✓456ER1	1	Nylon Roller, 1" Dia.
11	○	1	Socket Head Shoulder Screw 1/4X1/2"
12	✓386BRD1	1	Gib
13	✓BUMPER NO. 9	3	Bubber Bumper
14	✓SPG-CO420-038-2500	2	Compression Spring
15	✓SPG-LC-051G-10	1	Spring
*16	✓327KV1	1	Vane
*17	✓A327KV1	1	Vane
*18	✓82A82	1	Pin, .375" Dia. 8.81" Long

*RECOMMENDED SPARE PART

●ASSEMBLY NOT AVAILABLE AS REPLACEMENT PART'
ORDER THE A7777B1 AS REPLACEMENT

○FOR REFERENCE ONLY

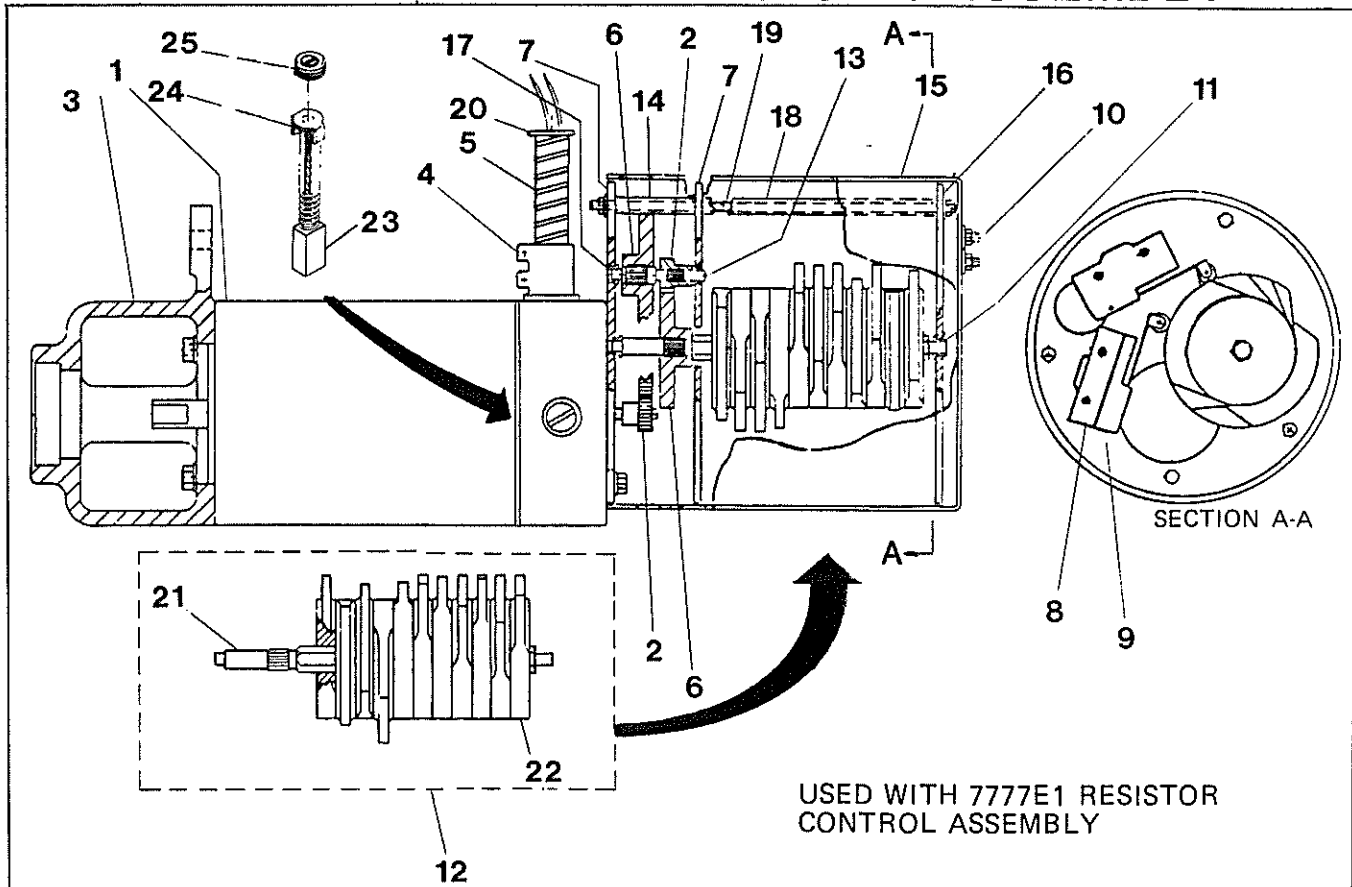
TYPE: 7777C DRIVE NUT & SCREW ASSEMBLY



REF. NO.	PART NO.	QTY.	DESCRIPTION
1	*396JT1	1	Roll Nut
2	✓*81DH1	1	Pin 1-1/2" Long, Tapped
3	✓*BRG-R-4A-77	2	Bearing
4	✓ 335E101	2	Sleeve Bushing, 1.44" Dia., 1" Long
5	✓ RING-N5000-75	1	Truarc Ring
6	✓462HA108	1	Spacer, .72" O.D.
7	✓*490HR1	1	Screw, Center Open Doors, 35.22" Long
3	✓*490HR4	1	Screw, 36" S.S. Door, 48.22" Long
	✓*490HR7	1	Screw, 42" S.S. Door, 54.22" Long
8	✓ *82A83	1	Pin, 1/4" Dia., 3.94" Long
9	✓*GROMMET 2034	2	Rubber Grommet
10	✓ 7777C1	1	Assembly Complete, Center Open Doors
11	✓ 7777C2	1	Assembly Complete, 36" Door
12	✓ 7777C3	1	Assembly Complete, 42" Door

*RECOMMENDED SPARE PART

TYPE: 7777D MOTOR & CAM ASSEMBLY



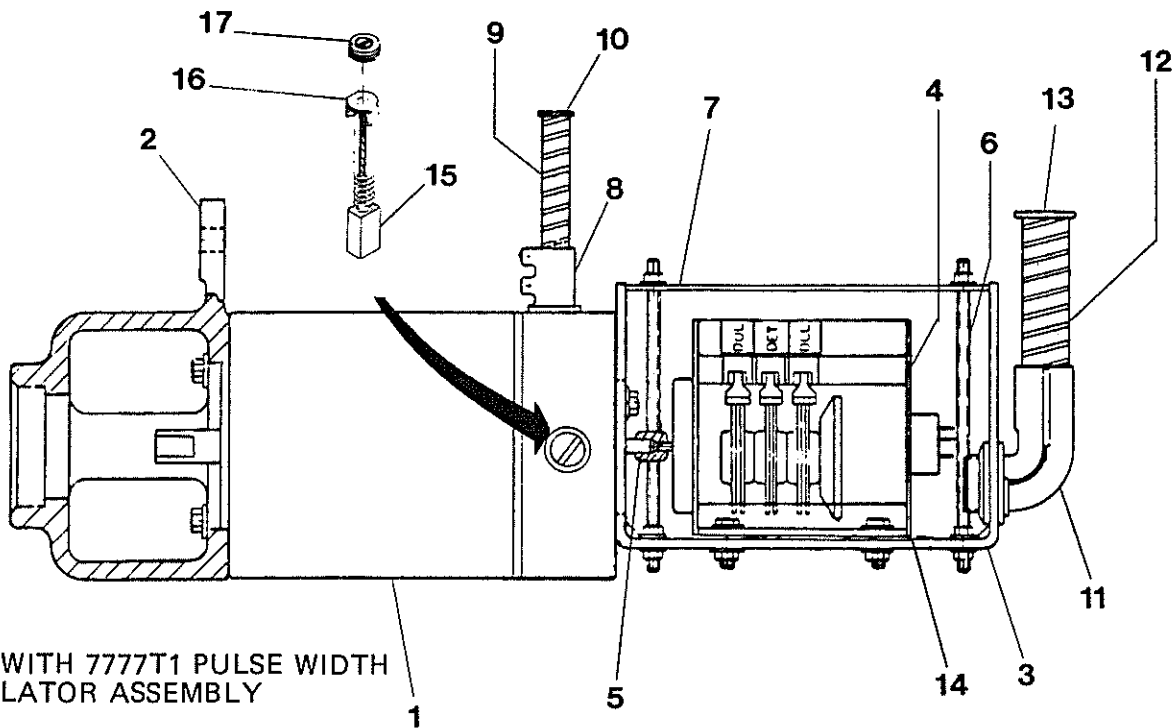
USED WITH 777E1 RESISTOR
CONTROL ASSEMBLY

REF. NO.	PART NO.	QTY.	DESCRIPTION
1	✓*6333CG1	1	Motor, U. S.
	✓*6333CG2	1	Motor, Canada
2	✓GEAR 1M2-Y24012	2	Spur Gear
3	✓324A1	1	Motor Bracket
4	✓CON-EFCOR2050	1	Connector
5	✓342AP22	1	3/8" Conduit
6	✓GEAR 1M2-Y24050	2	Spur Gear
7	✓386BRW1	1	Gear Plate Housing,
	✓386BRW2	1	Gear Plate w/Cutout
8	✓SWCH-X-10GN2-B6	10	Switch Roller Lever
9	†255FE1	4	Spacer (To Cam Pack)
10	✓96CJ36	4	Threaded Rod, 5.5" Long
11	✓BUSH-FF-303-3	3	Bronze Bearing
12	✓*327MK1	1	Cam Shaft Assembly
13	✓78BB1	1	Shaft
14	✓135BP5	3	Spacer, 1.453" Long
15	✓384TP1	1	Cover
16	✓386BRW3	1	Gear Plate Housing
17	✓BUSH-FF-303-1	1	Bronze Bearing
18	✓135BP8	3	Spacer, 4.165" Long
19	✓96CJ38	3	Threaded Rod, 6.6" Long
20	✓BUSH-ANTI-SHORT 1	2	Bushing
21	✓494JR1	1	Hexagonal Shaft, 6" Long
22	✓327MJ1	11	Cam
23	✓VP-723466	2	Brush-6333CG1&2
24	✓VP-723467	2	Brush Holder-6333CG1&2
25	✓VP-723468	2	Brush Cap-6333CG1&2

*Recommended Spare Part

†General Location, Part Not Illustrated

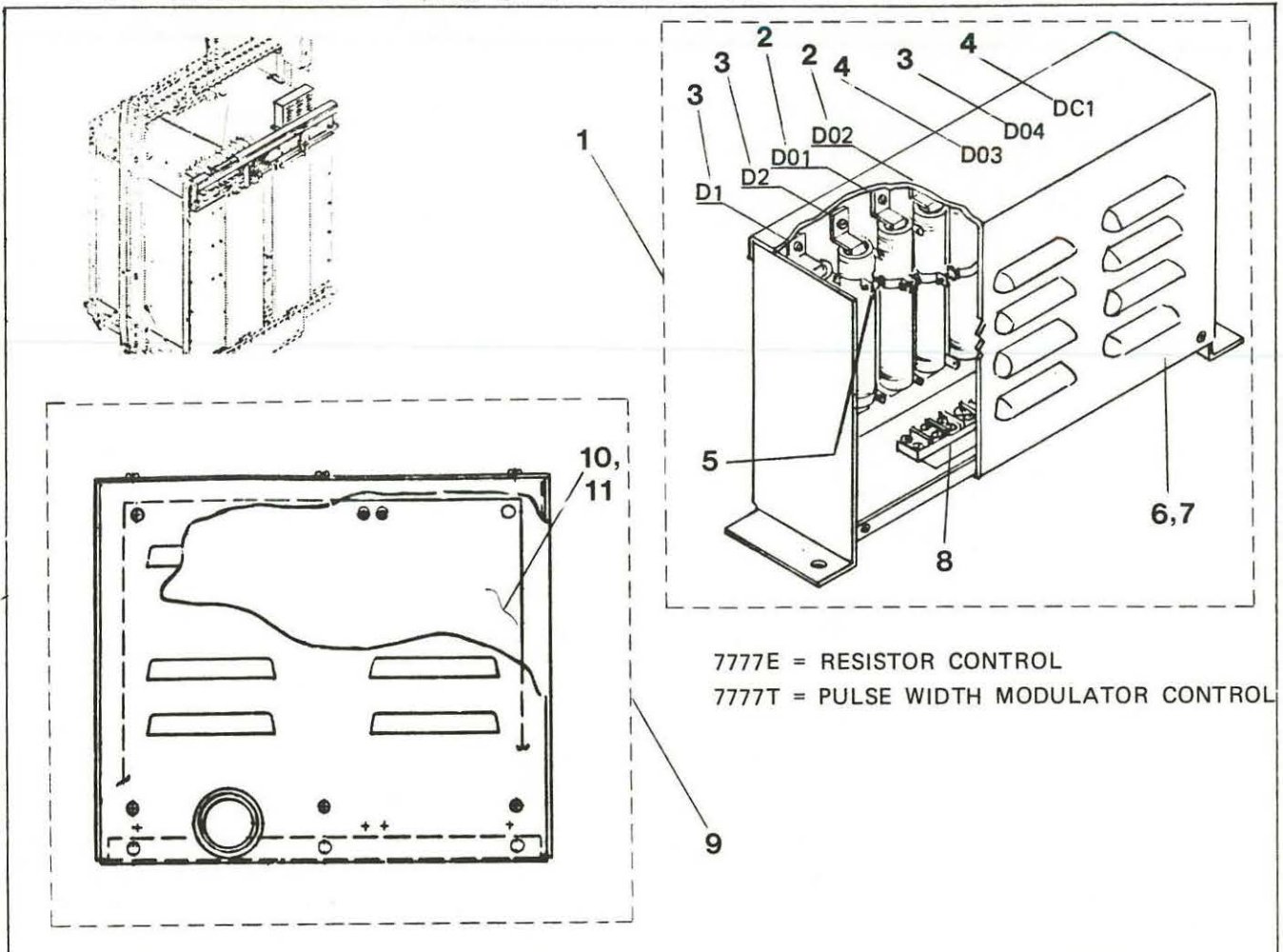
TYPE: 7777R MOTOR & CAM ASSEMBLY



REF. NO.	PART NO.	QTY.	DESCRIPTION
1	✓*A6333CG1	1	Motor, U.S., 110V DC, 800RPM
	✓*A6333CG2	1	Motor, Canada, 110V DC, 800RPM
2	✓324A1	1	Motor Bracket, Right Hand
	✓324A2	1	Motor Bracket, Left Hand
3	✓316DSF1	1	Cam Pack Mounting Bracket, Right Hand
	✓316DSF2	1	Cam Pack Mounting Bracket, Left Hand
4	✓*327LM1	1	Servo Cam Pack, 42" Center Open Doors
	✓*327LM2	1	Servo Cam Pack, 42" Single Slide Door, R.H.
	✓*327LM3	1	Servo Cam Pack, 42" Single Slide Door, L.H.
	✓*327LM4	1	Servo Cam Pack, 36" Single Slide Door, R.H.
	✓*327LM5	1	Servo Cam Pack, 36" Single Slide Door, L.H.
5	✓CDS-B1-3	1	Coaxial Coupling
6	✓96CJ39	2	8-32 Threaded Rod, Cadmium Plated, 4.6" Long
7	✓285JN1	1	Cover
8	✓CON-EFCOR2050	1	Connector
9	✓342AP22	1	3/8" Conduit
10	✓BUSH-ANTI-SHORT 1	1	Bushing
11	✓440G2	1	90° Elbow, 3/4"
12	✓342AP23	1	3/4" Flex Conduit
13	✓BUSH-ANTI-SHORT 4	1	Bushing
14	✓255XB12	As Reqd.	Shim, 3.1" Long
15	✓*VP-723466	2	Brush-6333CG1&2
16	✓*VP-723467	2	Brush Holder-6333CG1&2
17	✓*VP-723468	2	Brush Cap-6333CG1&2

*RECOMMENDED SPARE PART

TYPES: 7777(E)(T) CONTROL ASSEMBLIES



REF NO.	PART NO.	QTY.	DESCRIPTION
1	✓ 7777E1	1	Resistor Box Assembly Complete
2	✓ *P232EF1	2	50 OHM Resistor with Mtg. Bracket & Lug
3	✓ *P232EF2	3	100 OHM Resistor with Mtg. Bracket & Lug
4	✓ *P232EF5	2	150 OHM Resistor with Mtg. Bracket & Lug
5	✓ P190AR1	5	Adjustable Lug (Extra)
6	✓ V440AJ1	2	Chase Nipple
7	✓ 67AM1	2	Conduit Lock Nut
8	✓ P303CG1	1	Terminal Block, 20 Terminals, 8.16" Long
9	✓ 7777T1	1	Pulse Width Modulator Assy., Less PC Board
10	✓ *A8121CH1	1	Pulse Width Modulator Board, S.S. Door
	✓ *A8121CH2	1	Pulse Width Modulator Board, C.O. Doors

*Recommended Spare Part